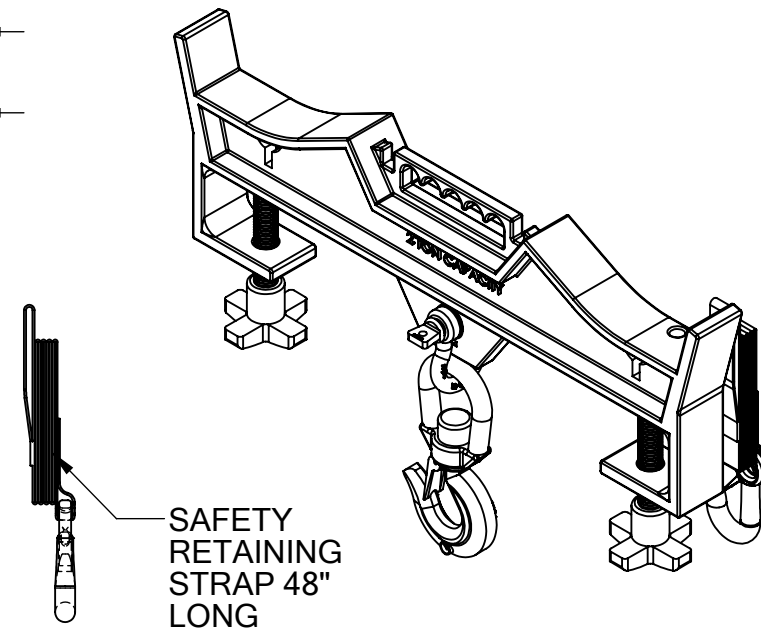
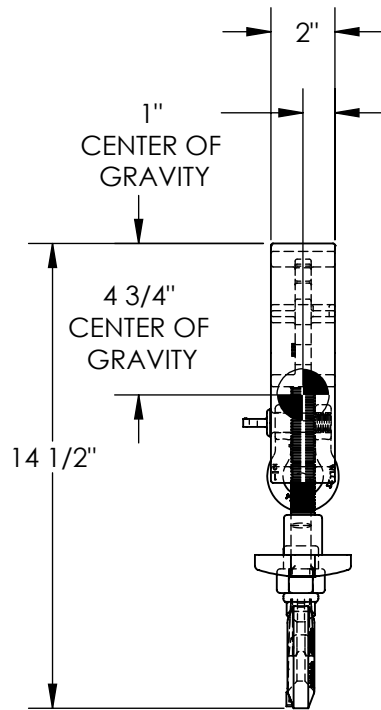
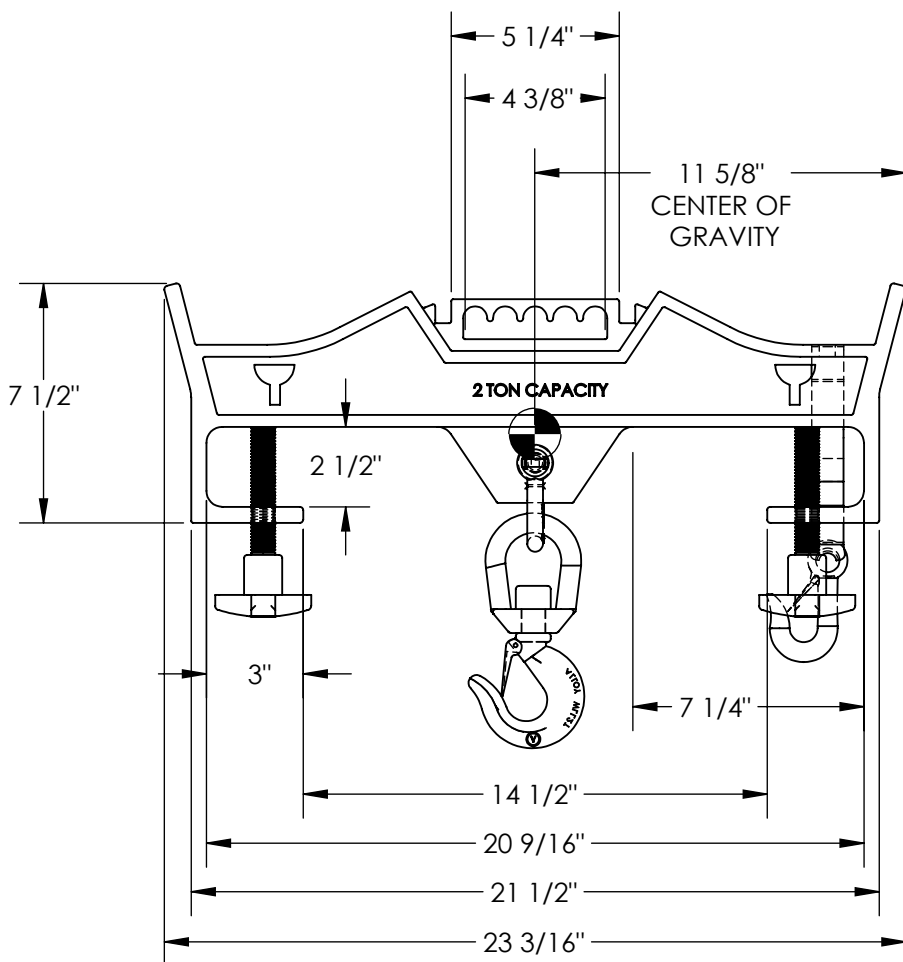


DOUBLE/SWIVEL HOISTING HOOK - D-FORK-4-SL

APPROX WEIGHT: 30.63 lbs.
 DOES NOT INCLUDE WEIGHT OF POWER OR PACKAGING!!!

*** ANY ADDITIONS, DELETIONS, OR OMISSIONS MUST BE CORRECTED ON THIS DRAWING AS THIS DRAWING WILL BE CONSIDERED ALL INCLUSIVE ***

ALL GRAPHICS PROVIDED ARE FOR REFERENCE ONLY. IF CERTAIN DIMENSIONS ARE CRITICAL PLEASE VERIFY THOSE DIMENSIONS WITH YOUR SALESPERSON



DIMENSION TOLERANCE $\pm 1/4$ "

APPROX. WEIGHT / LOST LOAD = 31 LBS. (APPROX)
 MINIMUM EFFECTIVE THICKNESS = ADJUSTABLE
 NEVER EXCEED LOAD CENTER
 RATING PER FORKTRUCK
 MANUFACTURERS GUIDELINES.
 DO NOT USE THIS FORK TRUCK
 ATTACHMENT IF LOAD WILL
 EXCEED FORK TRUCK MANUFACTURER'S
 LOAD CENTER RATING

STANDARD FEATURES

MODEL NUMBER: D-FORK-4-SL
 CAPACITY: 4,000 LBS (2 TONS)
 FORK OPENINGS: 7 1/4" W x 2 1/2" H
 MAX FORK WIDTH 20 9/16"
 OVERALL LENGTH: 23 3/16"
 BODY HEIGHT: 7 1/2"
 STRAP LENGTH: SAFETY RETAINING STRAP 48" LONG
 HOT DIPPED GALVANIZED STEEL

SPECIAL FEATURES

NONE

A P P R O V A L

I, THE UNDERSIGNED, AGREE THAT THE PRODUCT AS REPRESENTED SATISFIES DESIGN AND DIMENSION REQUIREMENTS. I ALSO ACKNOWLEDGE MY DUTY TO CONFIRM PRODUCT AND INSTALLATION COMPLIANCE WITH ALL APPLICABLE FEDERAL, STATE AND LOCAL REGULATIONS AND STANDARDS.

UNITS REQUIRING APPROVAL DRAWINGS OR MODIFIED ARE NON-RETURNABLE

[] As drawn [] As marked

Signed: _____ Date: _____

Printed Name: _____

LEAD TIME WILL START UPON RECEIPT OF SIGNED APPROVAL DRAWING

DISTRIBUTOR'S NAME:		P.O.#
VESTIL MANUFACTURING		X
DRAWN BY: WHR		DATE: 12/22/11
REFERENCE: X		SCALE: 1:6
QUOTED LEAD TIME: X		QUOTE # X
		SALES: X
		FILE NAME: 08-007-143