

OPERATION & SERVICE MANUAL

DRUM-55-36 (MANUAL DRUM LIFTER)



Vestil Manufacturing Corp.
2999 North Wayne St., Angola, IN 46703
Ph: 260-665-7586 . Fax: 260-665-1339
E-mail: Sales@vestil.com
Website: www.vestil.com

General

Read and follow the instructions contained in this operating manual without fail!

Only trained, well-informed personnel, who have been instructed in accordance with this operation manual, may use or work on the machine.

Liability or guarantee is waived if:

- The instructions in this operating manual are not observed.
- The high-lift stacking truck is operated, cleaned or maintained incorrectly.
- Alterations to the functions are carried out without the consent of manufacturer.
- Original spare parts are not used.

Safety instructions

This chapter informs the user about residual dangers relating to the correct use of the products. It contains generally valid safety instructions which must be observed.

Safety instructions relating to specific actions or situations are listed prior to the respective action and/or description of the situation in the chapter.

Principles

This product complies with state-of-the-art technical standards and recognized safety regulations, but there are still dangers which may occur which must be considered.

Only operate the product in a perfect condition and observing the information contained in the operating manual.

The operator is responsible for integrating the product with as little risk as possible into his working environment. This obligation continues through every phase of the products lifespan, beginning at the planning stage. Residual dangers are to be minimized.

Only trained, competent personnel who have been instructed using the operating manual and the product are permitted to work with the truck.

The operating manual must be understood (responsibility, checking)

Declaration:

I have read this manual and, in particular, have taken note of the caution.

Name	Date	Signature

Specification

SPECIFICATION

	DRUM-LRT
Capacity	500 lbs.
Lift Height	12"
Ground Clearance	1 ½"
Lowered Height	0"
Turning Radius	39 3/8"
Front Wheel	Ø6 x 1 ½"
back Wheel	Ø3 x 1 ¼"
Overall Size (D x W x H)	28 x 29 ¾" x 57 5/8"
Drum Dia.	Ø23 5/8 x 35 7/16"
Weight	168 lbs.

Receiving Instructions

Every unit is thoroughly tested and inspected prior to shipment. However, it is possible that the unit may incur damage during transit. If you see damage when unloading, make a note of it on the SHIPPER RECEIVER.

Remove all packing & strapping material, inspect for damage. IF DAMAGE IS EVIDENT, FILE A CLAIM WITH THE CARRIER IMMEDIATELY! Also, check fork size, type of power unit, etc., to see that the unit is correct for the intended application.

Warnings & Safety Instructions

Insure that all employees understand and follow the following instructions

- Read and understand the owner's manual before using or servicing the stacker.
- Do not use the drum lifter if any damage or unusual noise is observed.
- Improper use of this drum lifter could result in injury and damage to load or equipment.
- Always watch the drum lifter and any load on it carefully when it is being used or moved.
- Do not overload this drum jack. Check capacity plate for loading weight and lifting height. Do not handle unstable loads.
- Operate truck only from designated operating load position.
- Make sure that the drum has been exactly clamped when to lift.
- Avoid sudden stops or quick turns to prevent accidental tipping of the load.
- Park drum lifter on level surfaces and not in the way of other products
- When parked, lower the carriage completely and set parking brake by making sure handle is in vertical position.
- Travel slowly and with caution on slopes, always travel with load end down grades.
- Do not perform any modifications to the drum lifter without the manufacturer's approval. Failure to receive authorization for changes to the equipment could void the warranty.
- Do not use brake fluid or jack oil in the hydraulic system. If oil is needed, use an anti-wear hydraulic oil with a viscosity grade of 150 SUS at 100°F, (ISO 32 @ 40°C), or a non-synthetic transmission fluid.
- Use only replacement parts either supplied or approved by the manufacturer.

OPERATION

1. Before lifting the load, follow these stages:
 - a. Drive close to the load
 - b. To attach a drum to the drum carriage, raise the locking mechanism at the top of the lifter until it is slightly above the height of the drum's top rim. Maneuver the unit up close to the drum. Open the jaw of the locking mechanism, then lower it until the lower part of the jaw is just at the bottom edge of the top rim of the drum. Push the unit up against the drum. If necessary, raise the carriage slightly so that the bottom of the jaw is even with the bottom of the top rim of the drum. Lock the jaw onto the top rim. Pump the push handle to raise the drum.
 - c. To release the drum, push down on the release pedal until the drum lowers to the floor. Release the locking handle to disengage the drum and back the lift away.
 - e. Locking jaw can be adjusted for varying thicknesses of drum lips by turning the hex head bolt on top of the jaw either in or out for thinner or thicker lips, respectively.
2. Park the truck in a protected, leveled and solid place.

MAINTENANCE

1. Only qualified and authorized personnel should be permitted to maintain, repair, adjust and inspect the stacker.
2. The work area should be clean, properly ventilated and the floor should be kept dry.
3. All parts of the lifting or rotate mechanism should be carefully and regularly inspected and maintained in a safe operating condition.

All hydraulic systems should be regularly inspected and maintained in conformance with the maintenance schedules. Lift cylinders, valves and other similar parts should be checked to assure that "drift" has not developed to the extent that it would create a hazard.

4. Please check the oil level every six months. Use anti-wear hydraulic oil with a viscosity grade of 150 SUS at 100°F (ISO 32 @ 40°C) or a non synthetic transmission fluid.
5. Use only replacement parts either supplied or approved by the manufacturer.

ORDERING REPLACEMENT PARTS

We take pride in using quality parts on the equipment. We are not responsible for equipment problems resulting from the use of unapproved replacement parts.

To order replacement or spare parts for this equipment, contact the factory.

In any communication with the factory, please be prepared to provide the machine's serial number, which is indicated on the machine plate.

Maintenance and repair

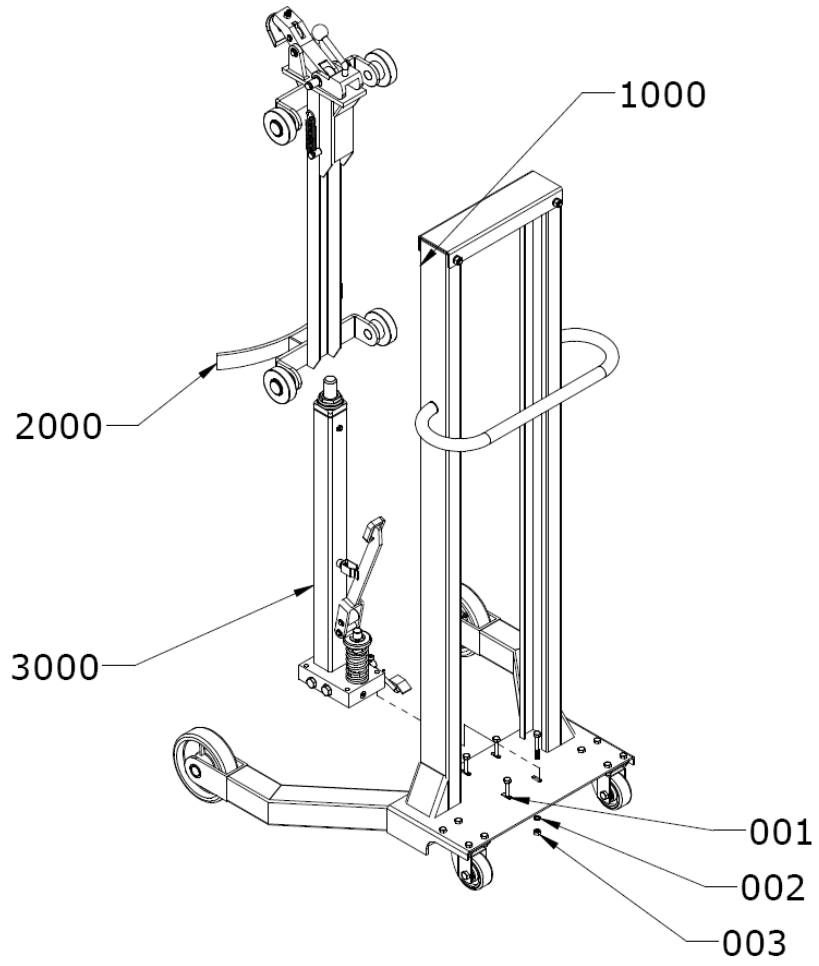
TROUBLESHOOTING GUIDE --

Warning: Before performing any task, always block drive wheel off of the ground.

Consult the factory for problems at time of installation, or for any problems not addressed below.

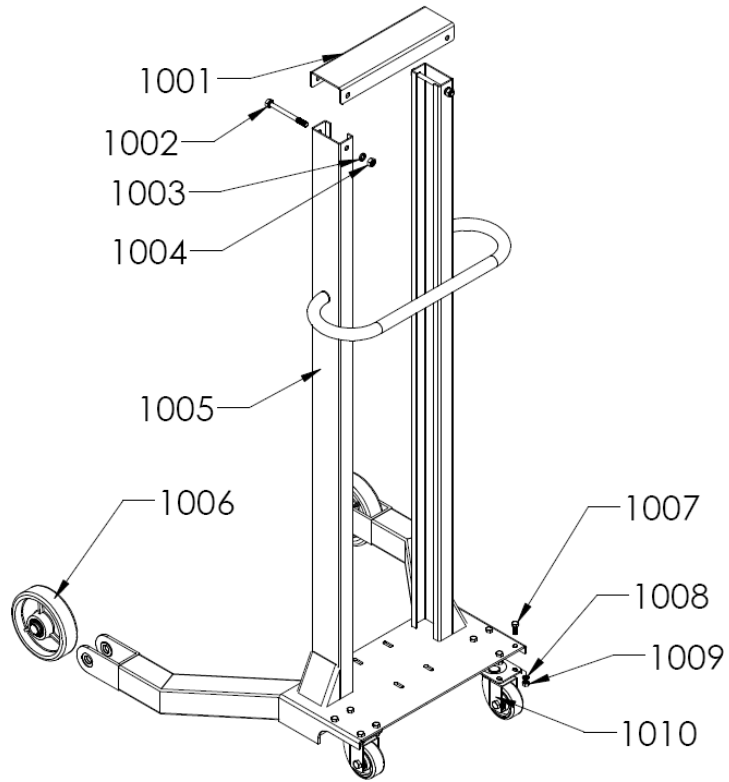
<u>Problem:</u>	<u>Possible cause(s):</u>	<u>Action:</u>
Lifting height is not longer achieved	Hydraulic oil level is too low	Re-fill hydraulic oil when carriage is all the way down.
Unit jerks when lifting	Air in the system	Open vent screw on the lift cylinder with carriage lowered all the way down. Lift carriage with vent screw open until oil is free from air bubbles. Close the vent screw
Carriage can't be lifted up	Without hydraulic oil Oil has impurities	Fill the oil Change the oil
Carriage can't be lowered	Oil has impurities Piston rod & pump body is deformed.	Change the oil and clean drift valve Replace piston rod or pump body
Oil leakage	Seals worn, cracked or damaged.	Replace with new one.

DRUM-55-36 ASSEMBLY

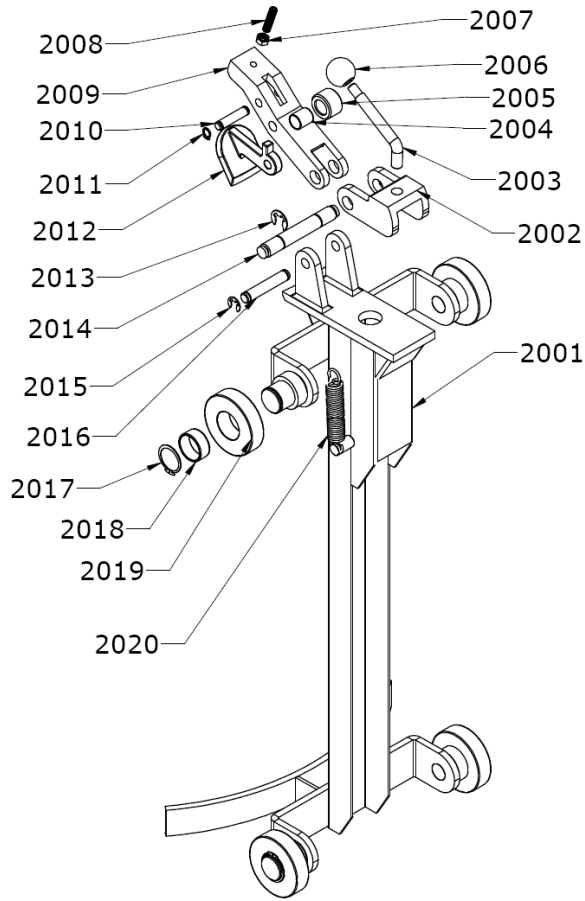


Part #	S. Part #	Description	Qty.
1000	VD-LT-1000	Frame	1
2000	VD-LT-2000	Clamp Assembly	1
3000	VD-LT-3000	Cylinder Assembly	1
001	GB/T5782-86	Bolt M8x55	4
002	GB/T93-87	Washer M8	4
003	GB/T6170-86	Nut M8	4

DRUM - 55 - 36 FRAME



Part #	S. Part #	Description	Qty.
1001	VD-LT-1001	Top Channel Cover	1
1002	GB/T5782-86	Bolt M10x100	2
1003	GB/T93-87	Washer M10	2
1004	GB/T6170-86	Nut M10	2
1005	VD-LT-1100	Frame	1
1006		Rigid Wheel Ø6x1 1/2	2
1007	GB/T5781-86	Bolt M8x20	8
1008	GB/T93-87	Washer M8	8
1009	GB/T6170-86	Nut M8	8
1010		Swivel Wheel(Ø3x1.25)	2



DRUM-55-36 CLAMP ASSEMBLY

Part #	S. Part #	Description	Qty.
2001	VD-LT-2100	Lift Bracket	1
2002	VD-LT-2001	Clamp Bracket	1
2003	VD-LT-2002	Handle	1
2004	JH1620	Bushing	1
2005	VD-LT-2003	Roller	1
2006	JB/T7271.1-94	Handle Knob	1
2007	GB/T6170-86	Nut M8	1
2008	GB/T77-85	Screw M8x35	1
2009	VD-LT-2004	Bracket	1
2010	VD-LT-2005	Pin	1
2011	GB/T894.1-86	Snap Ring Ø10	2
2012	VD-LRB-010001	Clamp	1
2013	GB/T896-86	E-clip Ø12	2
2014	VD-LT-2006	Pin	1
2015	GB/T896-86	E-Clip Ø9	2
2016	VD-LT-2007	Pin	1
2017	GB/T894.1-86	Snap Ring Ø30	4
2018	JH3015	Bushing	4
2019	VD-LT-2008	Roller	4
2020	GB4357 B¼	Spring	2

SPARE PARTS LIST

Part No.	Description	QTY.	Part No.	Description	QTY.
1	E-Clip	1	31	Valve set	1
2	Spring Cap	1	32	Rod	1
3	Pump Piston	1	33	Pressure set	1
4	LBH seal ring	1	34	Spring	1
5	ISI piston rod seal ring	1	35	Handle	1
6	Spring	1	36	Screw	1
7	Piston Reservoir	1	37	Nut	1
8	Seal Ring	1	38	Screw	1
9	Foot Pedal	1	39	O-ring	2
10	Roller	1	40	Cylinder canister	1
11	Pin	2	41	Filler Plug	1
12	Foot Pedal Holder	1	42	Direction Ring	1
13	Screw	1	43	Rod	1
14	Bolt	1	44	O-ring	1
15	O-ring	1	45	Gland Nut	1
16	Down valve	1	46	U-ring	1
17	Check Valve	1	47	O-ring	1
18	O-ring	1	48	Anti dust ring	1
19	Spring	1	49	Back-up ring	2
20	Check Valve Rod	1			
21	Valve Outlet	1			
22	O-ring	1			
23	steel ball	1			
24	bolt	3			
25	O-ring	3			
26	Pump Body	1			
27	spring	1			
28	O-ring	1			
29	rod	1			
30	O-ring	1			

LIMITED WARRANTY

Vestil Manufacturing Corporation (“Vestil”) warrants this product to be free of defects in material and workmanship during the warranty period. *Our warranty obligation is to provide a replacement for a defective original part if the part is covered by the warranty, after we receive a proper request from the warrantee (you) for warranty service.*

Who may request service?

Only a warrantee may request service. *You are a warrantee if* you purchased the product from Vestil or from an authorized distributor AND Vestil has been fully paid.

What is an “original part”?

An original part is a part used to make the product as shipped to the warrantee.

What is a “proper request”?

A request for warranty service is proper if Vestil receives: 1) a photocopy of the Customer Invoice that displays the shipping date; AND 2) a written request for warranty service including your name and phone number. Send requests by any of the following methods:

Mail
Vestil Manufacturing Corporation
2999 North Wayne Street, PO Box 507
Angola, IN 46703

Fax
(260) 665-1339
Phone
(260) 665-7586

Email
sales@vestil.com

In the written request, list the parts believed to be defective and include the address where replacements should be delivered.

What is covered under the warranty?

After Vestil receives your request for warranty service, an authorized representative will contact you to determine whether your claim is covered by the warranty. Before providing warranty service, Vestil may require you to send the entire product, or just the defective part or parts, to its facility in Angola, IN. The warranty covers defects in the following *original* dynamic components: motors, hydraulic pumps, electronic controllers, switches and cylinders. It also covers defects in *original* parts that wear under normal usage conditions (“wearing parts”): bearings, hoses, wheels, seals, brushes, batteries, and the battery charger.

How long is the warranty period?

The warranty period for original components is 30 days. The warranty period begins on the date when Vestil ships the product to the warrantee. If the product was purchased from an authorized distributor, the period begins when the distributor ships the product. Vestil may extend the warranty period for products shipped from authorized distributors by *up to* 30 days to account for shipping time.

If a defective part is covered by the warranty, what will Vestil do to correct the problem?

Vestil will provide an appropriate replacement for any *covered* part. An authorized representative of Vestil will contact you to discuss your claim.

What is not covered by the warranty?

1. Labor;
2. Freight;
3. Occurrence of any of the following, which automatically voids the warranty:
 - Product misuse;
 - Negligent operation or repair;
 - Corrosion or use in corrosive environments;
 - Inadequate or improper maintenance;
 - Damage sustained during shipping;
 - Collisions or other incidental contacts causing damage to the product;
 - Unauthorized modifications: DO NOT modify the product IN ANY WAY without first receiving written authorization from Vestil. Modification(s) might make the product unsafe to use or might cause excessive and/or abnormal wear.

Do any other warranties apply to the product?

Vestil Manufacturing Corp. makes no other express warranties. All implied warranties are disclaimed to the extent allowed by law. Any implied warranty not disclaimed is limited in scope to the terms of this Limited Warranty.

