

CB Hand Chain Hoist

1/2 through 100 Ton capacity

Harrington CB hand chain hoists combine a rugged exterior shell with machined interior components to handle your most demanding lifting operations. An efficient drive train minimizes manual effort, while double enclosed brake cover, standard slip clutch, and double pawl springs enhance performance and reliability.

Many Benefits from More Features:

- Experience exceptional durability thanks to all-steel construction featuring rugged gear case enclosure and handwheel cover.
- Enjoy increased lifting height thanks to low headroom.
- Compact design results in lightweight and easy portability.
- Minimize manual effort thanks to efficient drive train.
- Standard slip clutch device prevents the hoist from being used to lift damaging loads beyond rated capacity.
- Double pawl springs provide redundancy for reliable operation of brake mechanism.
- Get reliable braking with double enclosed brake cover that keeps out dust, rain, and dirt.

Options: (See pages 30-31)

- Chain container
- Corrosion-resistant chain
- Inspection hook

Capabilities to Count On:

- 8-foot standard lift (12-foot for 10 Ton and greater), nonstandard lifts and hand chain drops are also available.
- Grade 100 heat-treated manganese alloy load chain resists abrasion and wear while minimizing chain weight.
- Forged and heat-treated alloy steel hooks are designed to open slowly, without fracturing under excessive loads.
- Test certificate verifies that every hoist has been factory load tested to 125% of rated capacity, in accordance with ASME B30.16 requirements.



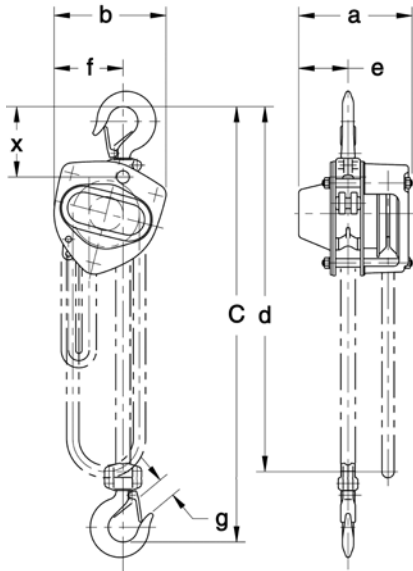
CB HAND CHAIN HOIST — SPECIFICATIONS

Cap. (Tons)	Product Code	Headroom C (in)	Std. Lift (ft)	Pull to Lift Load (lbs)	Overhaul Ratio	Load Chain Dia. (mm) x Chain Fall Lines	Net Weight (lbs)	Shipping Weight Approx. (lbs)	Weight for Additional One Foot of Lift (lbs)
1/2	CB005	11.2	8	48	25	5.0 x 1	22	23	1.0
1	CB010	11.6		58	43	6.3 x 1	25	26	1.2
1 1/2	CB015	13.8		70	57	7.1 x 1	32	33	1.4
2	CB020	14.8		72	70	8.0 x 1	41	43	1.6
2 1/2	CB025	16.5		66	99	9.0 x 1	56	58	1.8
3	CB030	20.1		72	114	7.1 x 2	49	53	2.1
5	CB050	23.6		68	198	9.0 x 2	85	89	3.0
8	CB080	30.3		75	297	9.0 x 3	124	131	4.2
10	CB100	29.9	12	72	396	9.0 x 4	186	203	5.5
15	CB150	40.2		74	594	9.0 x 6	346	368	7.9
20	CB200	46.5		72 x 2	396 x 2	9.0 x 8	524	678	10.9
30	CB300	51.2		86 x 2	495 x 2	9.0 x 10	690	889	13.3
40	CB400	58.3			693 x 2	9.0 x 14	1068	1398	18.2
50	CB500	61.4		98 x 2	792 x 2	9.0 x 16	1422	1752	20.6
80	CB800	100.8		86 x 4	693 x 4	9.0 x 28	3392	—	36.3
100	CB1000	125.2		98 x 4	792 x 4	9.0 x 32	6525		41.2

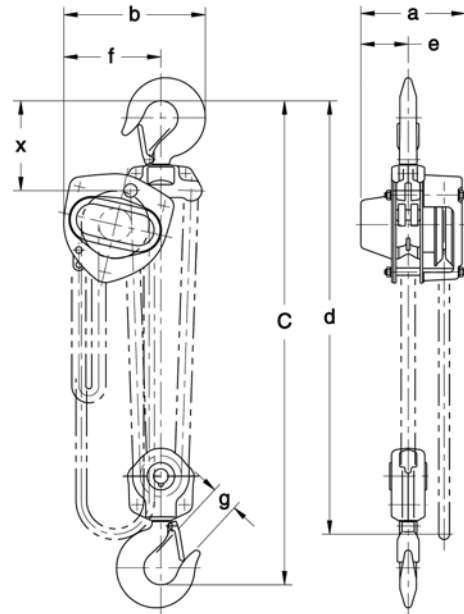
Please Note: Special lengths of load and hand chain available upon request.
Weights are approximate.

CB HAND CHAIN HOIST — DIMENSIONS

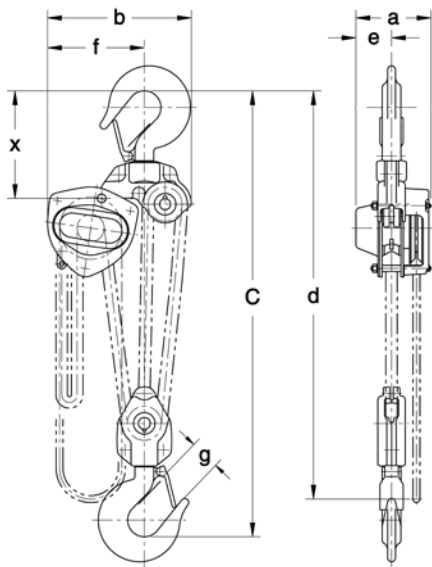
Cap. (Tons)	Product Code	a (in)	b (in)	d (ft)	e (in)	f (in)	g (in)	x (in)
1/2	CB005	6.2	6.3	8.0	2.7	3.9	1.1	3.5
1	CB010	6.4			2.8			4.0
1 1/2	CB015	6.7	7.2		3.1	4.4	1.3	4.7
2	CB020	7.2	8.0		3.4	4.9	1.4	4.9
2 1/2	CB025	7.6	9.2		3.6	5.6	1.6	5.4
3	CB030	6.7	9.3	8.3	3.1	6.4	1.7	5.8
5	CB050	7.6	11.1	10.0	3.6	7.6	1.8	6.8
8	CB080		14.7	10.3		10.0		10.8
10	CB100		17.2	14.9	4.4	12.1	2.9	11.6
15	CB150	10.6	19.4	15.9	4.7	13.3	3.1	12.6
20	CB200	14.7		16.3	7.4	14.7		3.2
30	CB300	15.9	29.4	16.6	8.0	15.0	4.1	15.7
40	CB400	19.8			29.9			9.9
50	CB500	21.4	31.3	16.6	10.7	15.7	4.4	18.4
80	CB800	29.9	55.2	15.9	13.8	27.6	5.1	—
100	CB1000	31.3	56.9	14.6	15.7	28.4	7.3	



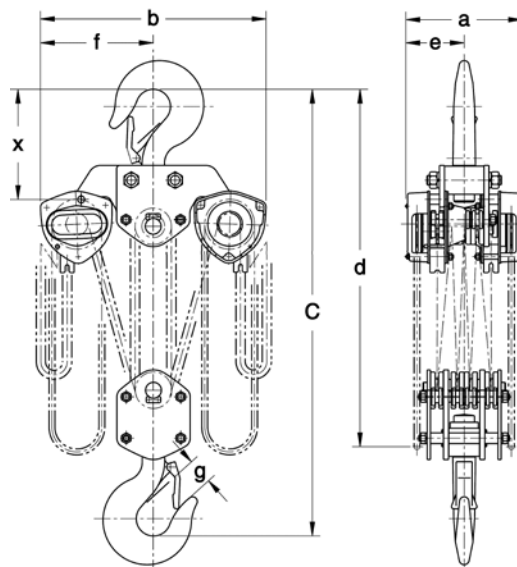
1/2 - 2 1/2 Ton



3 - 5 Ton



8 - 15 Ton



20 - 100 Ton