

KStrong® Steel Weld-on or Bolt-on Anchor Point (ANSI)

Model: UFA30050

Steel weld-on or bolt-on anchor point (ANSI).

DESIGN

- Single point anchor is designed to be fixed on walls, ceilings, roof tops or steel structures.
- It can be used to sustain the load impact in all three axes (X, Y, & Z).
- Alloy Steel

FINISH

Silver/golden yellow galvanized

MINIMUM BREAKING STRENGTH

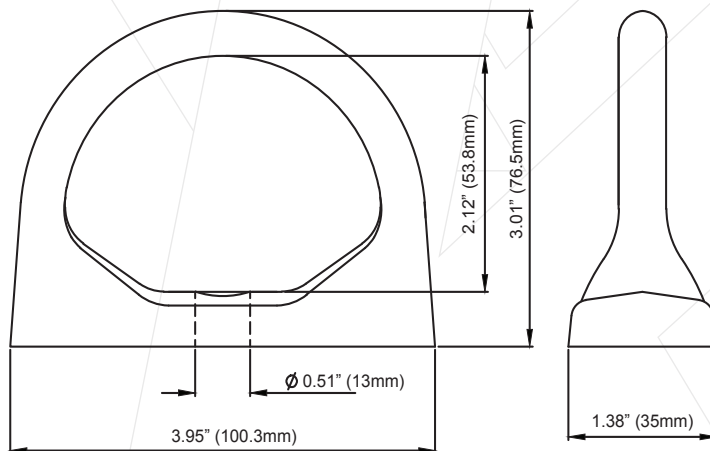
X Axis: 23 kN (min) | Y Axis: 23 kN (min) | Z Axis: 23 kN (min)

WEIGHT

0.84 lbs. ± 0.02 lbs. (381 gm ± 10 gm)

RELEVANT STANDARDS

Meets or Exceeds ANSI Z359.18-2017



Meets or Exceeds ANSI Z359.18-2017

