

KStrong® Aluminum Sliding Beam Anchor, Adjustable 3.5" - 14" (ANSI)

Model: UFA30110

KStrong® Rolling Beam Anchor Trolley, Adjustable to fit I-beams with flange widths ranging from 3.5" to 14" (ANSI)

DESIGN

- Anchor capable of being installed on flange of beams. Adjustment of the jaw to variable positions enables it to be installed to varying flange widths.

MATERIAL

Aluminum Alloy & Brass

SYSTEM STRENGTH

Greater than 23 kN (5000 lbs.)

WEIGHT

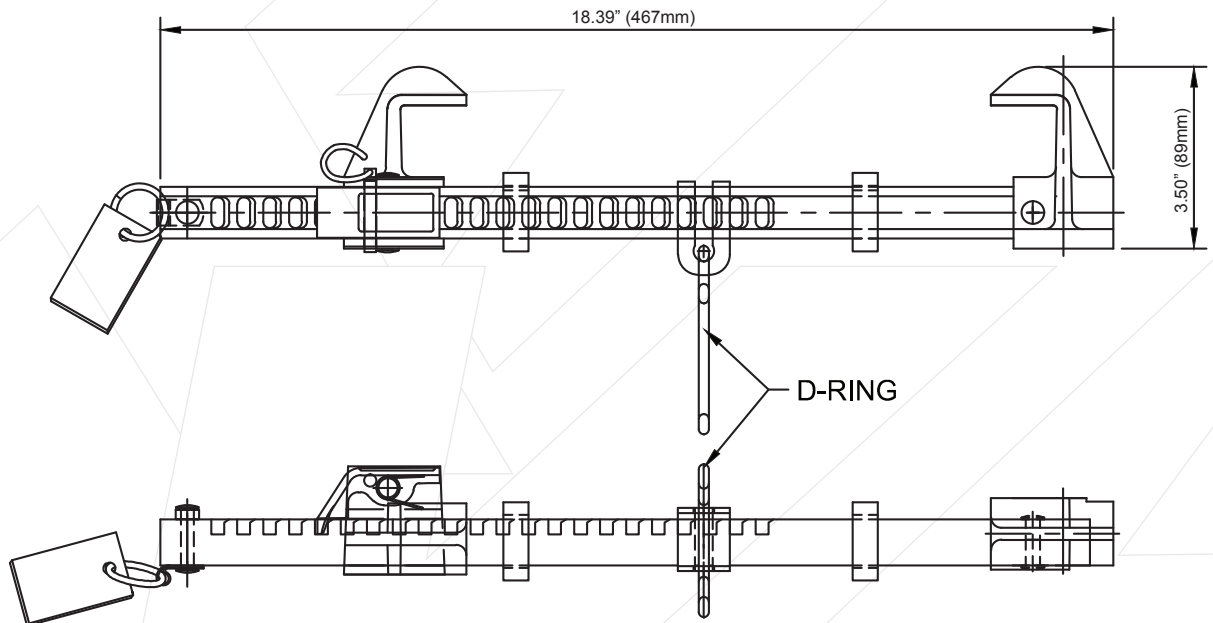
4.08 lbs. ± 0.22 lbs. (1851 gm ± 100 gm)

RELEVANT STANDARDS

Meets or Exceeds ANSI Z359.18-2017



CE0120



Meets or Exceeds ANSI Z359.18-2017