

## KStrong® Aluminum Sliding Beam Anchor, Adjustable 3" - 6" (ANSI)

Model: UFA30115

KStrong® Rolling Beam Anchor Trolley, Adjustable to fit I-beams with flange widths ranging from 3" to 6". (ANSI)

### DESIGN

Anchor capable of being installed on flange of beams. Adjustment of the jaw to variable positions enables it to be installed to varying flange widths.

### MIN FLANGE WIDTH INSTALLATION

2.92" (74mm)

### MAX FLANGE WIDTH INSTALLATION

5.90" (150mm)

### MATERIAL

Aluminum Alloy & Brass

### SYSTEM STRENGTH

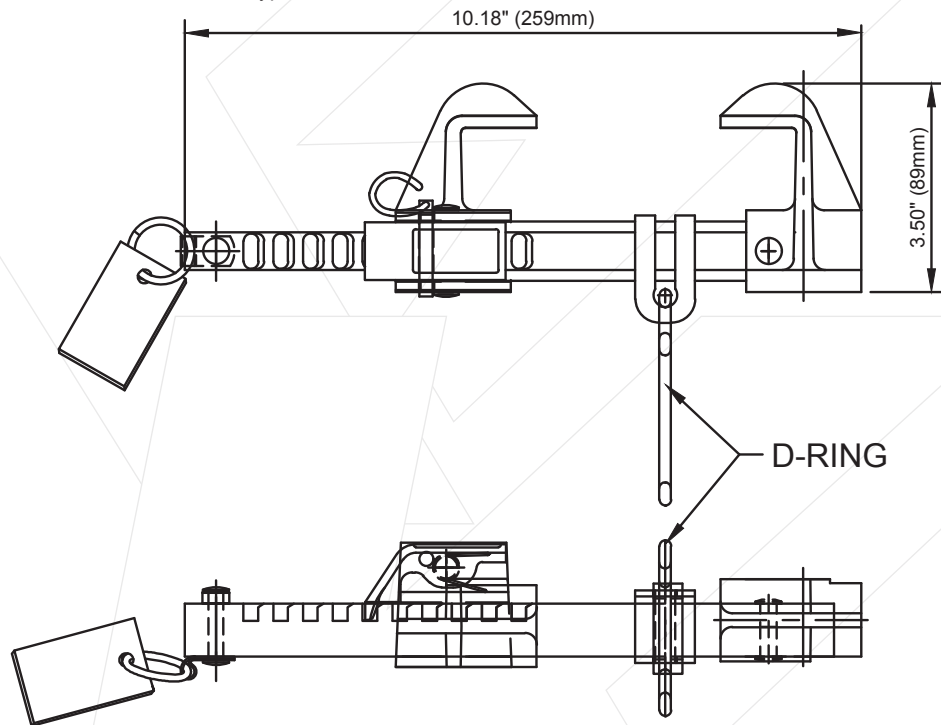
Greater than 23 kN (5000 lbs.)

### WEIGHT

3.43 lbs. ± 0.22 lbs. (1556 gm ±100 gm)

### RELEVANT STANDARDS

Meets or Exceeds ANSI Z359.18-2017 Type A



Meets or Exceeds ANSI Z359.18-2017 Type A