

KStrong® Large Rebar Hook, Stamped - 2.63" Opening (ANSI)

Model: UFC408100

DESIGN

- Gate opening 2.63" (69mm).
- Auto closing & auto locking type scaffold hook.
- Locking by spring operated attachments.

MATERIAL

Material: Alloy Steel | Process: Stamped

FINISH

Galvanized with Golden Yellow / Silver passivation.

MINIMUM BREAKING STRENGTH

5000 lbs. (2268kg)

GATE FACE STRENGTH

3600 lbs. (1633kg)

GATE SIDE STRENGTH

3600 lbs. (1633kg); Minor Axis: 3600 lbs. (1633kg)

WEIGHT

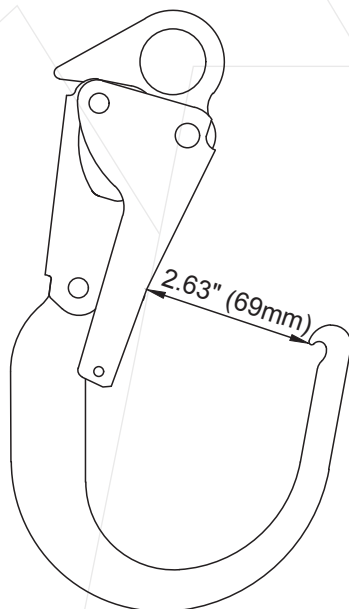
1.7 lbs. ± 0.02 lbs. (771 gm. ± 10 gm)

RELEVANT STANDARDS

Meets or Exceeds ANSI Z359.12-2009 & CSA Z259.12



OPEN CONDITION



Meets or Exceeds ANSI Z359.12-2009 & CSA Z259.12

CLOSED CONDITION

