

KStrong® Large Aluminum Rebar Hook (ANSI)

Model: UFC408450

DESIGN

- Gate opening 2.36" (60mm)
- Auto closing & auto locking type steel rebar hook
- Locking by spring operated attachments

MATERIAL

Body - Aluminum Alloy; Gate & Lock - Alloy Steel | Process: Forged

FINISH

Natural Silver, Colored, Anodized

MINIMUM BREAKING STRENGTH

5000 lbs. (2268kg)

GATE FACE STRENGTH

3600 lbs. (1633kg)

GATE SIDE STRENGTH

3600 lbs. (1633kg)

WEIGHT

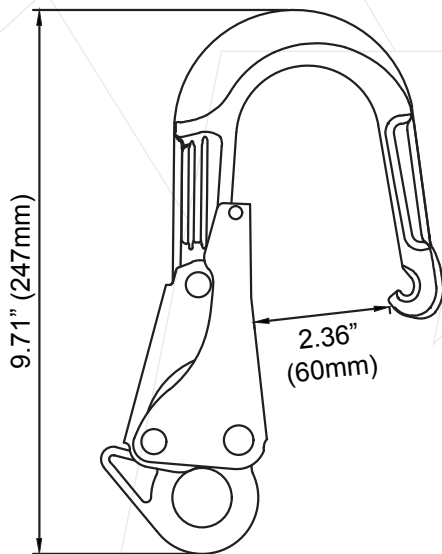
1.3 lbs. ± 0.02 lbs. (590 gm. ± 10 gm)

RELEVANT STANDARDS

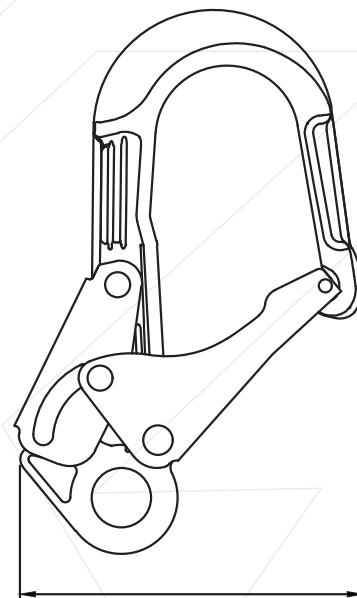
Meets or Exceeds ANSI Z359.12-2009 & CSA Z259.12



OPEN CONDITION



CLOSED CONDITION



Meets or Exceeds ANSI Z359.12-2009 & CSA Z259.12