

OPERATING, MAINTENANCE & PARTS MANUAL

MANUAL DE FUNCIONAMIENTO, MANTENIMIENTO Y PIEZAS

MAUEL D'ENTRETIEN, D'OPÉRATION ET DE PIÈCES

CHAIN HOIST

POLIPASTO DE CADENA

PALAN À CHAÎNE



Before installing hoist, fill in the information below.

Antes de instalar el polipasto, rellene los datos siguientes.

Enregistrez les informations suivantes avant de faire l'installation.

Rated Load / Carga Nominal / Charge Nominale _____

Serial No. / N° de Serie / No. de Ser. _____

Purchase Date / Fecha de Compra / Date d'achat _____

Rated Loads:

**1/2, 1, 2, 3, 5, 10, 15 & 20 tonne
(500, 1000, 2000, 3000, 5000,
10000, 15000 & 20000 kg.)**

**Follow all instructions and warnings
for inspecting, maintaining and
operating this hoist.**

The use of any hoist presents some risk of personal injury or property damage. That risk is greatly increased if proper instructions and warnings are not followed. Before using this hoist, each operator should become thoroughly familiar with all warnings, instructions and recommendations in this manual. **Retain this manual for future reference and use.**

Forward this manual to operator.
Failure to operate equipment as
directed in manual may cause injury.

Capacidades de Carga:

**1/2, 1, 2, 3, 5, 10, 15 y 20 tonne
(500, 1000, 2000, 3000, 5000,
10000, 15000 y 20000 kg.)**

**Siga todas las instrucciones y
advertencias para inspeccionar,
mantener y operar este polipasto.**

El uso de cualquier polipasto presenta algunos riesgos de daños a las personas o a las cosas. Este riesgo se ve incrementado si no se siguen correctamente las instrucciones y advertencias. Antes de usar el polipasto el operario debería estar familiarizado con todas las advertencias, instrucciones y recomendaciones de este manual. **Guarde este manual para futuras consultas.**

Entregue este manual al operario. Si el equipo no se maneja tal y como se recomienda en el presente manual, es posible que se produzcan situaciones de peligro que pueden resultar en daños personales.

Charges nominales:

**1/2, 1, 2, 3, 5, 10, 15 et 20 tonne
(500, 1000, 2000, 3000, 5000,
10000, 15000 et 20000 kg.)**

**Veillez vous conformer à toutes les
instructions et avertissements d'inspection,
d'entretien et d'opération de ce palan.**

L'utilisation de tout appareil de levage comporte des risques de blessures ou de dégâts matériels. Ces risques sont de beaucoup accrus si les instructions et avertissements ne sont pas suivis. Tous les opérateurs devraient se familiariser complètement avec toutes les recommandations, instructions et avertissements de ce manuel avant d'utiliser ce palan. **Conservez ce manuel pour utilisation et référence future.**

Remettez ce manuel à l'opérateur.
L'utilisation de cet équipement contrairement
aux directives de ce manuel peut causer
des blessures.



CM HOIST PARTS AND SERVICES ARE AVAILABLE IN THE UNITED STATES AND IN CANADA

As a CM Hoist and Trolley user you are assured of reliable repair and parts services through a network of Master Parts Depots and Service Centers that are strategically located in the United States and Canada. These facilities have been selected on the basis of their demonstrated ability to handle all parts and repair requirements promptly and efficiently. To quickly obtain the name of the Master Parts Depot or Service Center located nearest you, call (800) 888-0985. Fax: (716) 689-5644.

LAS PIEZAS Y REPARACIONES DE LOS POLIPASTOS DE CM ESTÁN ASEGURADAS EN ESTADOS UNIDOS Y CANADÁ

Como usuario de un polipasto y carro de CM le aseguramos cualquier reparación o la disponibilidad de cualquier pieza de repuesto a través de una red de almacenes de piezas de repuesto y centros de servicio situados estratégicamente en Estados Unidos y Canadá. Estas instalaciones se han seleccionado en base a su capacidad demostrada en la reparación de equipos y suministro de piezas de repuesto de forma rápida y eficaz. Para obtener la dirección del almacén de piezas de repuesto o del centro de servicio más cercano, llame al teléfono (800) 888-0985. Fax: (716) 689-5644 (sólo en Estados Unidos y Canadá).

LE SERVICE DE RÉPARATION ET DE PIÈCES POUR PALANS CM EST DISPONIBLE AUX ÉTATS-UNIS ET AU CANADA

Soyez assurés qu'en temps d'utilisateur de palan et treuil CM, d'un service de réparation et de pièces fiable par l'entremise d'un réseau de Centres de service et de Dépôts de pièces maîtresses qui sont stratégiquement situés aux États-Unis et au Canada. Ces établissements ont été sélectionnés sur une base de leur habileté démontrée à s'occuper promptement et efficacement des besoins de réparation de pièces. Appelez le (800) 888-0985, Fax: (716) 689-5644 pour obtenir rapidement le nom du dépôt de pièces maîtresses ou du centre de service situé le plus près.

HOIST SAFETY IS UP TO YOU...

⚠ WARNING

DO NOT LIFT MORE THAN RATED LOAD.
DO OPERATE WITH MANUAL POWER ONLY (ONE OPERATOR)

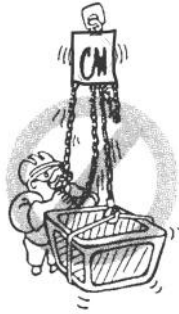
CHOOSE THE RIGHT HOIST FOR THE JOB...

Choose a hoist with the capacity for the job. Know the capacities of your hoists and the weight of your loads.

Then match them.

The application, the size and type of load, the attachments to be used and the period of use must also be taken into consideration in selecting the right hoist for the job.

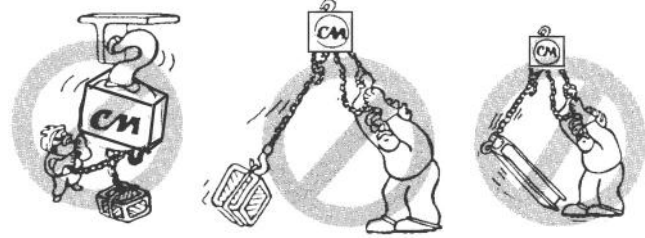
Remember, the hoist was designed to ease our burden and carelessness not only endangers the operator, but in many cases, a valuable load.



⚠ WARNING

DO NOT PULL AT AN ANGLE. BE SURE HOIST AND LOAD ARE IN A STRAIGHT LINE.
DO NOT USE LOAD CHAIN AS A SLING.

USE HOIST PROPERLY



Be sure hoist is solidly held in the uppermost part of the support hook arc.

Be sure hoist and load are in a straight line. Do not pull at an angle.

Be sure load is hooked securely. Do not tip load the hook. Do not load hook latch. Hook latch is to prevent detachment of load under slack chain conditions only.

Do not operate with hoist head resting against any object. Lift the load gently. Do not jerk it.



⚠ WARNING

DO NOT OPERATE DAMAGED OR MALFUNCTIONING HOIST.
DO NOT OPERATE WITH TWISTED, KINKED, OR DAMAGED CHAIN.

INSPECT

All hoists should be visually inspected before use, in addition to regular, periodic maintenance inspections.

Inspect hoists for operations warning notices and legibility.

Deficiencies should be noted and brought to the attention of supervisors. Be sure defective hoists are tagged and taken out of service until repairs are made.

Under no circumstances should you operate a malfunctioning hoist.

Check for gouged, twisted, distorted links and foreign material.

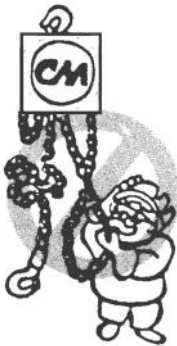
Do not operate hoists with twisted, kinked, or damaged chain links.

Load chain should be properly lubricated.

Hooks that are bent, worn, or whose openings are enlarged beyond normal throat opening should not be used. If latch does not engage throat opening of hook, hoist should be taken out of service.

Chains should be checked for deposits of foreign material which may be carried into the hoist mechanism.

Check brake for evidence of slippage under load.



⚠ WARNING

DO NOT LIFT PEOPLE OR LOADS OVER PEOPLE

PRACTICE CAUTION ALWAYS

Do not lift co-workers with a hoist.

Make sure everyone is clear of the load when you lift.

Do not remove or obscure operational warning notices.

OPERATOR SERVICE

CLEANING

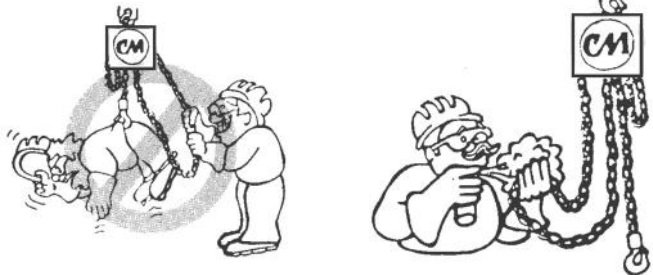
Hoists should be kept clean and free of dust, dirt, moisture, etc., which will in any way affect the operation or safety of the equipment.

LUBRICATION

Chain should be properly lubricated.

AFTER REPAIRS

Carefully operate the hoist before returning it to full service.



VIOLATIONS OF ANY OF THE WARNINGS LISTED MAY RESULT IN SERIOUS PERSONAL INJURY TO THE OPERATOR OR NEARBY PERSONNEL BY NATURE OF RELEASED LOAD OR BROKEN HOIST COMPONENTS.

⚠ WARNING

Improper operation of a hoist can create a potentially hazardous situation which, if **not** avoided, could result in death, or serious injury. To avoid such a potentially hazardous situation, the operator shall:

1. **NOT** operate a malfunctioning or unusually performing hoist.
2. **NOT** operate the hoist until you have thoroughly read and understood this manual.
3. **NOT** operate a hoist which has been modified.
4. **NOT** lift or pull more than rated load for the hoist.
5. **NOT** use damaged hoist or hoist that is **Not** working properly.
6. **NOT** use hoist with twisted, kinked, damaged, or worn load chain.
7. **NOT** use the hoist to lift, support, or transport people.
8. **NOT** lift loads over people and make sure all personnel remain clear of the supported load.
9. **NOT** attempt to lengthen the load chain or repair damaged load chain.
10. Protect the hoists load chain from weld splatter or other damaging contaminants.
11. **NOT** use load chain as a sling or wrap load chain around load.
12. **NOT** apply the load to the tip of the hook or to the hook latch.
13. **NOT** apply load unless load chain is properly seated in the chain wheel(s) or sprocket(s).
14. **NOT** apply load if bearing prevents equal loading on all load supporting chains..
15. **NOT** operate beyond the limits of the load chain travel
16. **NOT** leave load supported by the hoist unattended unless specific precautions have been taken.
17. **NOT** allow the chain or hook to be used as an electrical or welding ground.
18. **NOT** allow the chain or hook to be touched by a live welding electrode.
19. **NOT** remove or obscure the warnings on the hoist.
20. **NOT** operate a hoist which has **Not** been securely attached to a suitable support..
21. **NOT** operate a hoist unless load slings or other approved single attachments are properly sized and seated in the hook saddle.
22. **NOT** operate a hoist when it is restricted from forming a straight line from hook to hook in the direction of loading.
23. **NOT** lift loads that are **Not** balanced and that the holding action is **Not** secure, taking up slack carefully.
24. **NOT** operate a hoist unless all persons are and remain clear of the supported load.
25. Report malfunctions or unusual performances of a hoist, after it has been shut down until repaired.
26. **NOT** operate a hoist on which the safety placards or decals are missing or illegible.
27. Be familiar with operating controls, procedures and warnings.

⚠ CAUTION

Improper operation of a hoist can create a potentially hazardous situation which, if not avoided, could result in minor or moderate injury. To avoid such a potentially hazardous situation, the operator shall:

1. Maintain a firm footing or be otherwise secured when operating the hoist.
2. Check brake function by tensioning the hoist prior to each lift or pulling operation.
3. Use hook latches. Latches are to retain slings, chains, etc. under slack conditions only.
4. Make sure the hook latches are closed and **not** supporting any parts of the load.
5. Make sure the load is free to move and will clear all obstructions.
6. Avoid swinging the load or hook.
7. Inspect the hoist regularly, replace damaged or worn parts, and keep appropriate records of maintenance.
8. Use Columbus McKinnon parts when repairing the unit.
9. Lubricate load chain as recommended in this manual.
10. **NOT** operate except with manual power.
11. **NOT** permit more than one operator to pull on hand chain at the same time. More than one operator is likely to cause hoist overload.
12. **NOT** allow your attention to be diverted from operating the hoist.
13. **NOT** allow the hoist to be subjected to sharp contact with other hoists, structures, or objects through misuse.
14. **NOT** adjust or repair the hoist unless qualified to perform such adjustments or repairs.

The hoists are intended for general industrial use for moving loads within their load ratings. Prior to installation and operation, the user should review the application for abnormal environmental or handling conditions.

GENERAL SAFETY INFORMATION

ADVERSE ENVIRONMENTAL CONDITIONS

Do not use the hoists in areas containing flammable vapors, liquids, gasses or any combustible dust or fibers. Do not use the hoist in highly corrosive, abrasive, wet environments or in applications involving exposure to temperatures below -10°F or above 130°F.

MOVING HAZARDOUS LOADS

The hoists are not recommended for lifting materials that could cause widespread damage if dropped. The lifting or moving of materials that could explode or cause chemical or radioactive contamination requires fail-safe, redundant supporting devices that are not incorporated into these hoists.

SPECIFICATIONS

ENGLISH

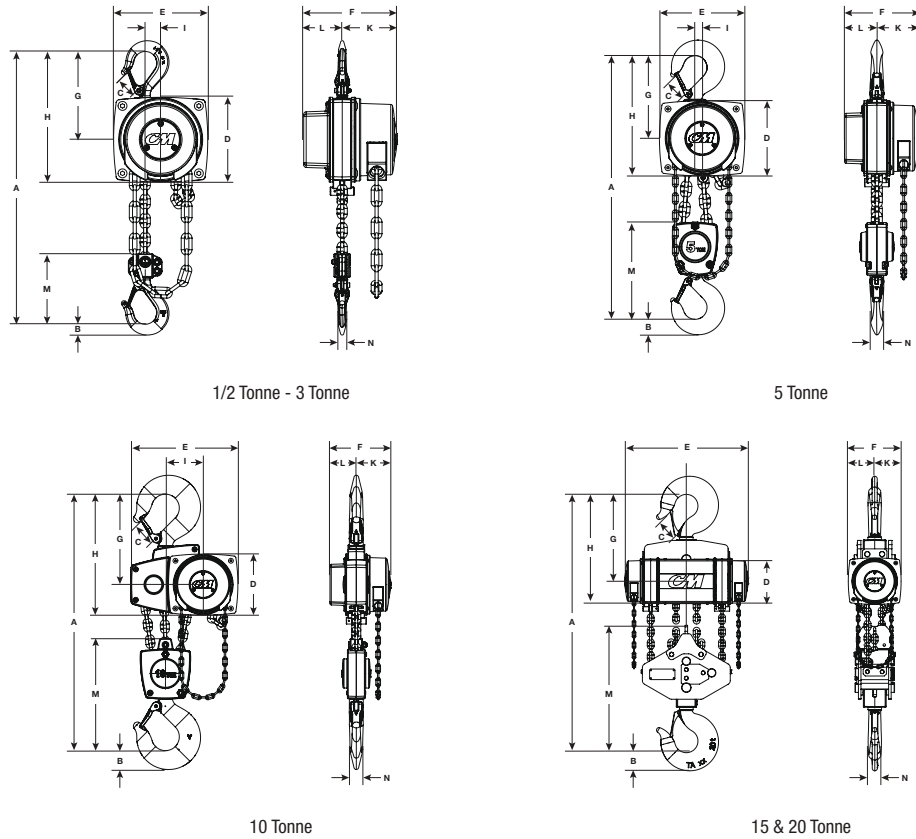


Figure 1 – Specifications & Dimensions

Product Code	Capacity Ton (kg)	Lift		Weight lbs (kg)	Reeving	Hand Chain pull to Lift Rated Load lbs. (kg)	Hand Chain Overhauled to Lift Load one Foot ft. (m)	Dimensions in inches (mm)													
		ft	m					A	B	C	D	E	F	G	H	I	K	L	M	N	
5623A	1/2 (500)	10	3	21 (9)	1	44 (20)	30 (9.1)	11.811 (300)	0.669 (17)	0.945 (24)	5.236 (133)	5.827 (148)	5.827 (148)	5.472 (139)	8.110 (206)	0.945 (24)	2.402 (61)	3.425 (87)	4.331 (110)	0.551 (14)	
5624A		15	4.5	23 (10)																	
5625A		20	6	25 (11)																	
5651A		30	9	29 (13)																	
5632A		less chain																			17 (8)
5626A	1 (1,000)	10	3	28 (13)	1	54 (24)	49 (14.9)	13.189 (335)	0.866 (22)	1.142 (29)	6.142 (156)	6.890 (175)	6.575 (167)	6.457 (164)	9.528 (242)	0.945 (24)	2.756 (70)	3.819 (97)	4.921 (125)	0.748 (19)	
5627A		15	4.5	31 (14)																	
5628A		20	6	34 (15)																	
5653A		30	9	40 (18)																	
5633A		less chain																			23 (10)
5629A	2 (2000)	10	3	47 (21)	1	74 (34)	71 (21.6)	15.551 (395)	1.181 (30)	1.378 (35)	7.165 (182)	7.992 (203)	7.638 (194)	7.559 (192)	11.142 (283)	1.220 (31)	3.268 (83)	4.370 (111)	6.142 (156)	0.866 (22)	
5630A		15	4.5	52 (24)																	
5631A		20	6	57 (26)																	
5634A		less chain																			36 (16)
5635A		10	3	75 (34)																	
5636A	3 (3,000)	15	4.5	82 (37)	1	92 (42)	87 (26)	20.472 (520)	1.496 (38)	1.575 (40)	8.661 (220)	9.843 (250)	8.622 (219)	8.858 (225)	13.189 (335)	1.339 (34)	3.740 (95)	4.882 (124)	7.008 (178)	1.181 (30)	
5637A		20	6	89 (40)																	
5638A		less chain																			52 (24)
5639A		10	3	106 (48)																	
5640A	5 (5,000)	15	4.5	121 (55)	2	76 (34)	174 (53)	25.748 (654)	1.772 (45)	1.850 (47)	8.661 (220)	9.843 (250)	8.622 (219)	9.528 (242)	13.858 (352)	0.827 (21)	3.740 (95)	4.882 (124)	11.220 (285)	1.457 (37)	
5641A		20	6	136 (62)																	
5642A		less chain																			74 (34)
5643A		10	3	217 (98)																	
5644A	10 (10,000)	15	4.5	240 (109)	3	102 (46)	261 (79.3)	32.480 (825)	2.677 (68)	2.677 (68)	8.661 (220)	15.079 (383)	8.622 (219)	12.835 (326)	17.165 (436)	5.354 (136)	3.740 (95)	4.882 (124)	15.787 (401)	1.969 (50)	
5645A		20	6	261 (118)																	
5646A		less chain																			168 (76)
HU15000H10		15 (15,000)	10	3																	455 (206)
HU15000H15	15		4.5	508 (230)																	
HU15000H20	20		6	554 (251)																	
HU15000H30	30		9	653 (296)																	
HU20000H10	20 (20,000)	10	3	455 (206)	6	2 x 102 (2 x 46)	522 (2 x 261) (159.1 (2 x 79.3))	43.543 (1106)	3.386 (86)	3.150 (80)	8.661 (220)	23.071 (586)	9.843 (250)	16.181 (411)	20.512 (521)	-	4.921 (125)	4.921 (125)	23.740 (603)	2.480 (63)	
HU20000H15		15	4.5	508 (230)																	
HU20000H20		20	6	554 (251)																	
HU20000H30		30	9	653 (296)																	

GENERAL INFORMATION

CM® Hurricane 360 hand operated chain hoists are highly versatile materials handling equipment that can be used to effectively lift loads. The frame and covers are made from steel stampings. Internal gears are made of high grade, heat treated steel. Shielded ball bearings or bushings support the heat treated steel liftwheel. Latch type, forged steel upper and lower hooks are standard. A dry type friction brake that does not include pawls and ratchet found in similar hoists provides positive load control and will suspend the load at any point.

Hoists with load ratings of 1/2, 1, 2, 3, 5, 10, 15 and 20 Ton are available and this manual applies to all of these units. Standard lifts are 10, 15 and 20 feet and hoists with longer lifts are available on a special, per order basis. Plated steel hand chain is provided with a drop that is 2 feet less than the lift of the hoist.

CM® Hurricane 360 hand operated hoists are built in accordance with the specifications contained herein and at the time of manufacture complies with our interpretation of the American Society of Mechanical Engineers (ASME) Standard B30.16, "Overhead Hoists." Copies of this standard can be obtained from ASME Order Department, 22 Law Drive, Box 2300, Fairfield, NJ 07007-2300, USA.

This manual contains important information to help you properly install, operate and maintain your CM® Hurricane 360 Hoist for maximum performance, economy and safety.

Please study its contents thoroughly before putting your hoist into operation. By practicing correct operating procedures and by carrying out the recommended preventive maintenance suggestions, you will be assured of long, dependable and safe service.

After you have completely familiarized yourself with the contents of this manual, we recommend that you carefully file it for future reference.

REPAIR/REPLACEMENT POLICY

All Columbus McKinnon (CM®) Hurricane 360 Hoists are inspected and performance tested prior to shipment. If any properly maintained hoist develops a performance problem, within one year of shipment, due to a material or workmanship defect, as verified by CM, repair or replacement of the unit will be made to the original purchaser without charge. This repair/ replacement policy applies only to CM® Hurricane 360 Hoists installed, maintained and operated as outlined in this manual, and specifically excludes hoists subject to normal wear, abuse, improper installation, improper or inadequate maintenance, hostile environmental effects and unauthorized repairs/modifications.

We reserve the right to change materials or design if, in our opinion, such changes will improve our product. Abuse, repair by an unauthorized person, or use of non-CM® replacement parts voids the guarantee and could lead to dangerous operation. For full Terms of Sale, see Sales Order Acknowledgement. Also, refer to the back cover for Limitations of Warranties, Remedies and Damages, and Indemnification and Safe Operation.

UNPACKING

After opening the carton, the hoist should be carefully inspected for damage which may have occurred during shipment or handling. Check the hoist frame for dents or cracks and inspect the load chain for nicks and gouges. If shipping damage has occurred, refer to the packing list envelope on the carton for claim procedure.

⚠ WARNING
Operating a unit with obvious external damage may cause load to drop and that may result in personal injury and/or property damage.
TO AVOID INJURY:
Carefully check unit for external damage prior to installation.

INSTALLATION

Before installing the hoist:

1. Determine the weight of the load that is to be lifted or moved and make sure it does not exceed the rated load of the hoist.
2. Make sure the support or sling to which the upper hook is attached is strong enough to hold several times the weight of the load to be lifted or moved. Be sure the hoist is solidly held in the uppermost part of the upper hook and the latch is closed and not in contact with the support or sling.

⚠ WARNING
Attaching the hoist to an inadequate support may allow the hoist and load to fall and cause injury and/or property damage.
TO AVOID INJURY:
Make sure the structure has sufficient strength to hold several times the hoist and its rated load.

3. The area in which the hoist is installed must provide sufficient room for:
 - The operator to operate the hand chain.
 - The operator and other personnel to stand clear of the load at all times.
 - Firm footing for the operator.
 - Clearance between the hoist frame and any object.
 - The frame to be free to swivel on the upper hook.

OPERATING INSTRUCTIONS

After mounting and before placing in service, check the hoist for proper operation. To operate the hoist, pull on the hand chain as indicated below.

⚠ WARNING
If not used as directed, hoist may cause injury.
TO AVOID INJURY:
Use only as directed below. Read all instructions before operating the CM® Hurricane 360 Hoist.

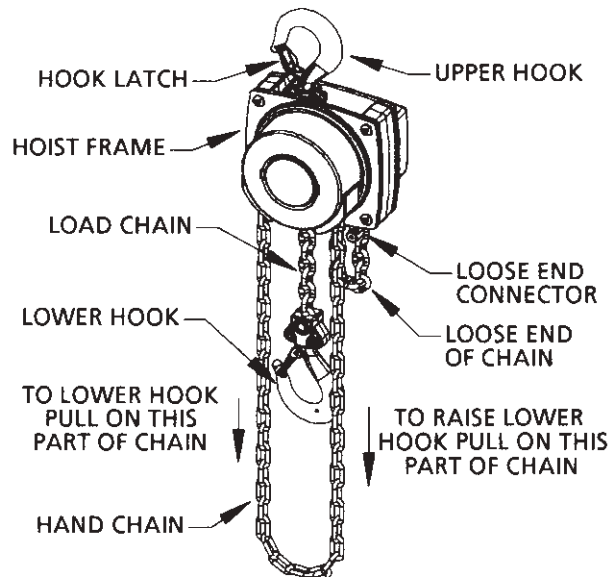


Figure 2 – Main Parts of Hurricane 360 Hoist

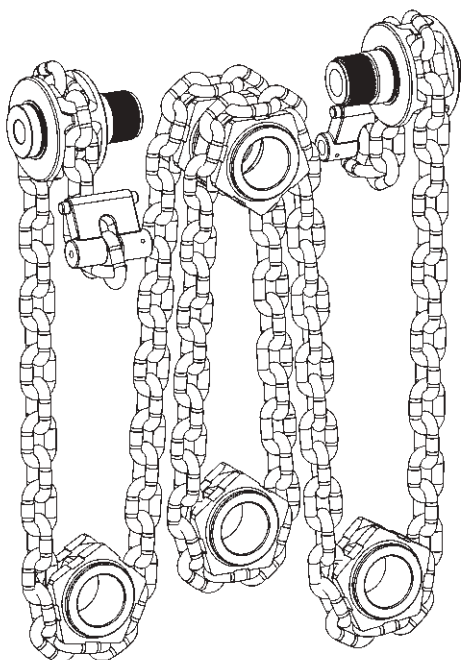


Figure 2A - Reeving for 20 Tonne hoist

Operate the hoist with no load and then a light load of approximately 50 pounds to make sure it operates properly and the brake holds the load when the hand chain is released, then operate with a rated load as shown on the nameplate.

GENERAL

1. The hoist must always be rigged to lift in a straight line from hook to hook. The hoist must always be free to swivel on the upper hook. Under no condition should the hoist frame be allowed to bear on any support when in use, as this would cause bending of the hook or frame and damage the unit.
2. When preparing to lift or move a load, be sure that the attachments to both hooks are firmly seated in the saddles of the hooks. Avoid off center loading of any kind especially loading on the tip of the hook. Also, observe that the chain hangs straight (without twist) from hoist to lower hook.
3. When lifting, raise the load only enough to clear the floor or support, and check to be sure brake will hold load and that attachments to the load are firmly seated. Continue the lift only after you are assured the load is free of all obstructions.
4. Do not load beyond the rated capacity of the hoist. Rated capacity can be achieved with the following hand chain pulls:

Hoist Capacity (Tonnes)	Hand Chain Pull to Lift Rated Load (Lbs.)
1/2	44
1	54
2	74
3	92
5	76
10	102
15	2x76
20	2x102

Since these hand chain pulls can easily be applied by one person, under no circumstances should more than one person operate the hoist hand chain.

This hoist is equipped with a load limiting device. The presence of this device does not authorize the application of overloads. Always select a hoist whose load rating is in excess of the load to be handled. If the handwheel slips while operating, reduce load or use correct capacity hoist.

NOTE:

The load limiting device incorporated in this hoist is effective only when the overload is being lifted or pulled through the operation of the handwheel. It will not protect against externally applied overloads.

5. Do not wrap load chain around the load or bring the load in contact with the hoist. Doing this will result in the loss of the swivel effect of the hook which could mean twisted chain and a jammed liftwheel. The chain could be damaged at the hook.
6. Stand clear of all loads and avoid moving a load over the heads of other personnel. Warn personnel of your intention to move a load in their area.
7. Do not leave the load in the air unattended.
8. Do not lower the hook to a point where the chain becomes taut between the liftwheel and loose end connector

⚠ WARNING
Power operation may result in structural damage or premature wear that may cause a part to break and allow the load to fall.
TO AVOID INJURY:
Operate CM® Hurricane 360 Hoists using hand power only.

9. Do not run the lower hook block into the hoist frame. Frame and/or chain guide damage may result.
10. The hoist has been designed for manual operation only.
11. Do not use this or any other overhead materials handling equipment for lifting persons.
12. Do not allow the load to bear against the hook latch. The latch is to help maintain the hook in position while the chain is slack before taking up slack chain.
13. Never operate the hoist when flammable materials or vapors are present. Sharp contact between metal parts can produce sparks that can cause a fire or explosion.
14. **STAY ALERT!** Watch what you are doing and use common sense. Do not use the hoist when you are tired, distracted or under the influence of drugs, alcohol or medication causing diminished control.

⚠ WARNING
Allowing the load to bear against the hook latch and/or hook tip can result in loss of load.
TO AVOID INJURY:
Do not allow the load to bear against the hook latch and/or hook tip. Apply load to hook bowl or saddle only.

MAINTENANCE

INSPECTION

To maintain continuous and satisfactory operation, a regular inspection procedure must be initiated so that worn or damaged parts can be replaced before they become unsafe. The intervals of inspection must be determined by the individual application and are based upon the type of service to which the hoist will be subjected. The inspection of hoists is divided into two general classifications designated as "frequent" and "periodic."

Frequent Inspections:

These inspections are visual examinations by the operator or other designated personnel. The frequent inspections are to be performed daily and shall include the following items:

- a. Braking mechanisms for evidence of slippage daily.
- b. Load Chain for lubricant, wear, damaged links or foreign material-daily (See LOAD CHAIN, page 5).

Any deficiencies noted are to be corrected before the hoist is returned to service.

Periodic Inspections:

These are inspections by an appointed person who makes records of apparent external conditions to provide the basis for a continuing evaluation. For normal service, the periodic inspections are to be performed yearly and for heavy service, the periodic inspections are to be performed semi-annually.

Due to the construction of the hoist, it will be necessary to partially disassemble the unit to perform the periodic inspections. The periodic inspections are to include those items listed under frequent inspections as well as the following:

- a. Chain for excessive wear or stretch (See page 6).
- b. Worn, cracked or distorted parts such as hook blocks, hand chain guides, chain guide, stripper, loose end connector, shafts, gears, bushings and bearings.
- c. Inspect for wear on the tip of the driver, stops on handwheel and pockets of the liftwheel and handwheel.
- d. Loose or missing screws, nuts, pins or cotter pins.
- e. Inspect brake components for worn, glazed or contaminated brake disc and scoring of the brake hub and brake plate. If the thickness of the friction washer is less than 1/32 inch, it should be replaced.
- f. Replace missing or damaged warning labels.
- g. Corroded, stretched or broken brake spring.
- h. Hooks-dye penetrant, magnetic particle or other suitable crack-detecting inspections should be performed at least once a year, if external conditions indicate there has been unusual usage.

Any deficiencies noted are to be corrected before the hoist is returned to service. Also, the external conditions may show the need for more detailed inspection which, in turn, may require the use of nondestructive-type testing.

Any parts that are deemed unserviceable are to be replaced with new CM® parts before the unit is returned to service. It is very important that the unserviceable parts be destroyed to prevent possible future use as a repair item and properly disposed of.

Hook Inspection

Hooks damaged from chemicals, deformation or cracks, or that have a twist, excessive opening or seat wear, must be replaced. Also, hooks that are opened to the extent that the latch does not engage the tip must be replaced. Any hook that is twisted or has excessive throat opening indicated abuse or overloading of the hoist. Other load sustaining parts should be inspected for damage.

Check to assure the latch is not damaged or bent and that it operates properly. It should have sufficient spring pressure to keep it tightly against the tip of the hook and allow it to spring back to the tip when released. If the latch does not operate properly, replace the latch.

Replace hook if opening is greater than "C" or if the thickness at "A", "B", "D", or "E" is less than the dimensions listed in the chart (see Figure 3, page 5).

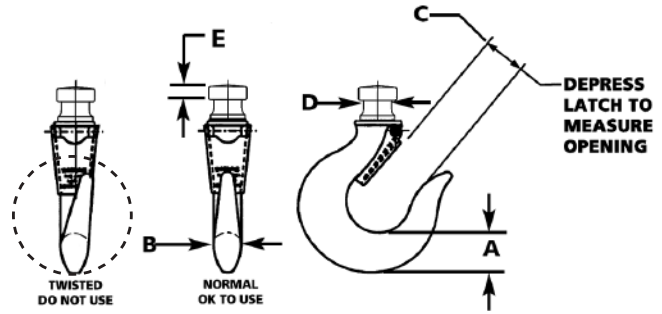


Figure 3 – Hook Inspection

Hoist Capacity (Tonnes)	Critical Hook Dimensions (in.)				
	A	B	C	D	E
1/2	0.602	0.496	1.039	0.39	0.213
1	0.78	0.673	1.256	0.531	0.23
2	1.063	0.78	1.516	0.67	0.319
3	1.346	1.063	1.732	0.769	0.349
5	1.564	1.311	2.035	1.102	0.472
10	2.409	1.772	2.945	1.307	0.669
15	3.012	1.984	2.267	1.605	0.474
20	3.012	1.984	2.267	1.605	0.474

LOAD CHAIN

Chain should feed smoothly into and away from the hoist. If chain binds, jumps or is noisy, first clean and lubricate it (See below). If trouble persists, inspect chain and mating parts for wear, distortion or other damage.

Chain Inspection

First clean chain with a non-caustic/non-acid type solvent and make a link by link inspection for nicks, gouges, twisted links, weld spatter, corrosion pits, striations (minute parallel lines), cracks in weld areas, wear and stretching. Chain with any one of these defects must be replaced.

Slack the portion of the chain that normally passes over the liftwheel. Examine the interlink area for the point of maximum wear (polishing). Measure and record the stock diameter at this point of the link. Then measure stock diameter in the same area on the link that does not pass over the liftwheel (use the link adjacent to the loose end connector for this purpose). Compare these two measurements. If the stock diameter of the worn link is 0.010 inch, or more, less than the stock diameter of the unworn link, the chain must be replaced.

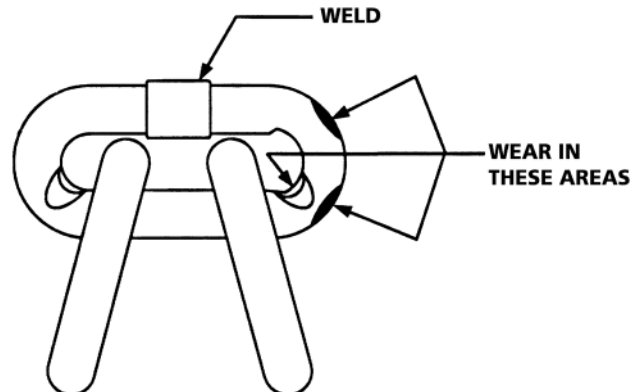


Figure 4 - Chain Inspection

MAINTENANCE (CONTINUED)

Also check chain for stretch and wear using a vernier caliper as shown in Figure 5. Select an unused, unstretched section of chain (usually at the loose end) and measure and record the length over 11 chain links (pitches). Measure and record the same length on a worn section of chain. If the result (amount of stretch and wear) is greater than 0.145 inch, the chain must be replaced.

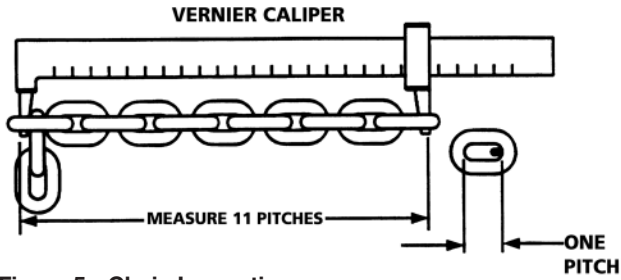


Figure 5 - Chain Inspection

Use only a “Knife-Edge” caliper to eliminate the possibility of a false reading by not measuring full pitch length.

WARNING

Using other than CM® supplied load chain may cause the chain to jam in the hoist and/or allow the chain to break and the load to drop.

TO AVOID INJURY:

Due to size requirements and physical properties, use only CM® supplied load chain in the the CM® Hurricane 360 Hoist.

Worn chain can be an indication of worn hoist components. For this reason, the hoist’s chain guide, stripper and liftwheel should be examined for wear and replaced as necessary when replacing worn chain (See DISASSEMBLY and ASSEMBLY, page 6).

Also, the load chain is specially heat treated and hardened and should never be repaired.

IMPORTANT: Do not use replaced chain for other purposes such as lifting or pulling. Load chain may break suddenly without visual deformation. For this reason, cut replaced chain into short lengths to prevent use and then dispose of it.

NOTE: The above method of inspecting load chain can also be used to inspect the hand chain for stretch and wear.

Chain Lubrication

A small amount of lubricant will greatly increase the life of load chain. Do not allow the chain to run dry. Keep it clean and lubricate at regular intervals with Lubriplate® Bar and Chain Oil 10-R (Fiske Bros. Refining Co.) or equal lubricant. Normally, weekly lubrication and cleaning is satisfactory, but under hot and dirty conditions, it may be necessary to clean the chain at least once a day and lubricate it several times between cleanings.

When lubricating the chain, apply sufficient lubricant to obtain natural run-off and full coverage, especially in the interlink area.

WARNING

Used motor oils contain known carcinogenic materials.

TO AVOID INJURY:

Never use used motor oils as a chain lubricant. Only use Lubriplate® Bar and Chain Oil 10-R as a lubricant for the load chain.

LUBRICATION

Hoist normally requires no additional lubrication except when it had been disassembled for cleaning or repairs.

IMPORTANT: Brake is designed to operate dry. Do not use any grease or lubricant on the braking surfaces. When lubricating parts adjacent to the brake, do not use an excessive amount of lubricant which could seep onto the brake surfaces.

WARNING

Using any grease or lubricant on the braking surfaces will cause brake slippage and loss of load control which may result in injury and/or property damage.

TO AVOID INJURY:

Do not use any grease or lubricant on braking surfaces. The brake is designed to operate dry.

If hoist is disassembled for service, repair or inspection, remove and clean existing grease from unit and replace with approximately 1 oz. of Poliplex 2 (Century Lubricants Co.) grease or equal lubricant to the exterior surface of the drive shaft, gears, internal thread of brake hub, surface of liftwheel bushings (1/2 ton unit), bushings in the gear side plate and gear cover, internal and external surfaces of handwheel bushings and rim of handwheel cover.

IMPORTANT: To assure long life and top performance, be sure to lubricate the various parts of the hoist using the lubricants specified above. If desired, these lubricants can be purchased from CM® (See Figure 7, page 10).

REPLACING LOAD CHAIN

To replace the load chain, remove the lower hook block (656-17) from the chain. Disconnect the chain from the loose end connector (656-7) and operate the hoist in the lowering direction to run the chain out of the hoist. Feed a length of soft wire up and over the liftwheel. Attach the wire to the new load chain so that the chain will be entering the center of the hoist frame. Position the chain so that the first link to engage the liftwheel is an upstanding link and the weld on all upstanding links will be away from the liftwheel. Pull on the wire until the chain engages the liftwheel. Rotate the handwheel until the chain comes out on the loose side of the hoist. Attach the chain to the loose end connector and attach the lower hook block assembly to the chain so that the lower hook is directly below the upper hook.

DISASSEMBLY AND ASSEMBLY

The parts list and exploded view on pages 13 and 14 show the general arrangement and name of the parts of the CM® Hurricane 360 Hand Hoist. These should be used when disassembling and reassembling the hoists so that all parts are properly installed.

- To inspect or replace the load brake disc, it is necessary to partially disassemble the hoist. Remove the handwheel cap (656-36) and the handwheel cover support (656-35). Lift off the handwheel cover (656-34A) and slide it down the hand chain (656-31). Lift the hand chain out of the handwheel (656-27) pockets. Remove cotter pin (656-33), castle nut (656-30) and washer (656-29) from the drive shaft (656-10). Remove handwheel overload clutch assembly by turning handwheel (656-27) counter clockwise. Inspect handwheel brake hub (626-22) and replace it if the friction surface is excessively scored (see Section 3, HANDWHEEL OVERLOAD CLUTCH ASSEMBLY). Slide front brake disc (656-26), ratchet disc assembly (656-21) and rear brake disc (656-26) from pressure disk (656-20). Remove retaining ring (656-41) and remove pressure disc (656-20) by turning counter clockwise. Inspect both brake discs (656-26) and replace if excessive wear, scoring, glazing or contamination is found. If brake discs are worn down to the following thickness, replacement is required:

Capacity	Thickness Min. (in)
1/2 –Ton, 1-Ton & 2-Ton	.043
3-Ton, 5-Ton & 10-Ton	.063
15-Ton, 20-Ton	.063

Inspect ratchet disc assembly (656-21) and pressure disc (656-20) friction surfaces, replace if excessively scored.

After the brake discs are inspected or replaced, reassemble the hoist in reverse to the order given above.

MAINTENANCE (CONTINUED)

2. To inspect or replace the liftwheel, chain guide or stripper, it is necessary to disassemble the hoist. Remove the load chain (See REPLACING LOAD CHAIN, above) and then remove the handwheel cap (656-36) and the handwheel cover support (656-35). Lift off the handwheel cover (656-34A) and slide it down the hand chain (656-31). Lift the hand chain out of the hand wheel (656-27) pockets. Remove cotter pin (656-33), castle nut (656-30) and washer (656-29) from the drive shaft (656-10). Remove handwheel overload clutch assembly by turning handwheel (656-27) counter clockwise. Slide front brake disc (656-26), ratchet disc assembly (656-21) and rear brake disc (656-26) from pressure disk (656-20). Remove retaining ring (656-41) and then remove pressure disc (656-20) by turning counter clockwise. Remove the handwheel side plate (656-9), by sliding it over drive shaft (656-10). Remove the stripper (656-6) and chain guide (656-5). Examine the stripper, chain guide, liftwheel (656-8) and loose end connector (656-7) for wear and damage.

If the stripper, chain guide and/or loose end connector are worn or damaged they should be replaced. If the liftwheel is not worn or damaged, reassemble the hoist in reverse to the order given above. If the liftwheel is to be replaced, continue to disassemble the hoist.

NOTE: Two points of caution to be observed in disassembly and assembly of the gears:

- a. Loose rollers are used in various locations in some units. Care must be taken so as to not lose or misplace these.
- b. For proper operation, the correct number of rollers must be installed at the rotating points. Applying grease to the rollers will help hold them in position during assembly.

Remove the gear cover (656-1), end covers (656-4) and gears (656-12A and 656-12B). Remove drive shaft (656-10) by sliding it out and remove locking ring (656-11B). Remove washer (656-11A) and liftwheel gear (656-11). Remove the liftwheel (656-8) and replace it. The liftwheel (656-8) may require pressing out of liftwheel bearings. Check the gears and other parts for excessive wear, cracks and distortion. Replace parts as necessary and then reassemble the unit in reverse to the order in which it was disassembled. Install the load chain per manual section "REPLACING LOAD CHAIN", above. After the hoist is completely reassembled, it must be tested for proper operation (See TESTING, page 10).

3. HANDWHEEL OVERLOAD CLUTCH ASSEMBLY:

To inspect or replace handwheel overload clutch assembly, it is necessary to partially disassemble the hoist. Remove the handwheel cap (656-36) and the handwheel cover support (656-35). Lift off the handwheel cover (656-34A) and slide it down the hand chain (656-31). Lift the hand chain out of the handwheel (656-27) pockets. Remove cotter pin (656-33), castle nut (656-30) and washer (656-29) from the drive shaft (656-10). Remove handwheel overload clutch assembly by turning handwheel (656-27) counter clockwise. Use spanner socket tool (656-45, available from CM Corp.) to remove groove nut (656-25) from handwheel brake hub (626-22). Slide Belleville spring washer (656-24), pressure plate (656-23), front brake disc (656-26), handwheel (656-27) and rear brake disc (656-26) from handwheel brake hub (626-22). Inspect both brake discs (656-26) and replace if excessive wear, scoring, glazing or contamination is found. If brake disc is worn down to the following thickness, replacement is required:

Capacity	Thickness Min. (in)
1/2 –Ton, 1-Ton & 2-Ton	.043
3-Ton, 5-Ton & 10-Ton	.063
15-Ton, 20-Ton	.063

Inspect pressure plate (656-23), handwheel (656-27) and handwheel brake hub (626-22) friction surfaces, replace if excessively scored.

Replace parts as necessary and then reassemble the unit in reverse to the order in which it was disassembled. Once the handwheel overload clutch is assembled, tighten the groove nut (656-25) with the spanner socket tool (656-45, available from CM Corp.) to the following torque specification.

Capacity	Torque (in-lb)
1/2-Ton	31
1-Ton	71
2-Ton	106
3-Ton	128
5-Ton	106
10-Ton	142
15-Ton	106
20-Ton	142

These torque value will set the handwheel overload clutch at approximately 125% of rated capacity. This setting must be checked with the handwheel overload clutch assembled into the hoist (See ADJUSTMENT OF LOAD LIMITER).

4. To inspect or replace the pawl or pawl spring, it is necessary to partially disassemble the hoist. Remove the handwheel cap (656-36) and the handwheel cover support (656-35). Lift off the handwheel cover (656-34A) and slide it down the hand chain (656-31). Lift the hand chain out of the handwheel (656-27) pockets. Remove cotter pin (656-33), castle nut (656-30) and washer (656-29) from the drive shaft (656-10). Remove handwheel overload clutch assembly by turning handwheel (656-27) counter clockwise. Remove retaining ring (656-42), pawl (656-43), and pawl spring (656-44) from handwheel side plate assembly (656-9). Inspect pawl (656-43) and pawl spring (656-43) for wear, replace if worn. Replace parts as necessary and then reassemble the unit in reverse to the order in which it was disassembled. After the hoist is completely reassembled, it must be tested for proper operation (See TESTING, page 10).
5. To replace hook latch, grind off head of rivet and drive it out. Remove and discard the latch and spring. Attach the new latch and spring using the roll pin provided in the latch kit.

ADJUSTMENT OF LOAD LIMITER

To adjust the load limiter:

1. Remove the hoist from the supporting structure and lay it on a flat working surface with the handwheel facing up.
2. Remove the three screws securing the plastic center cap and remove the cap (656-36) from the handwheel cover (656-34A).
3. Block the load chain by inserting a screwdriver or pin through the load chain just below the hoist frame. Operate the handwheel in the up direction to remove the slack from the load chain, closing and locking the brake.
4. Change the adjustment of the load limiter by tightening the groove nut (656-25) with the spanner socket tool (656-45, available from CM Corp.) to increase the setting or by loosening the groove nut (656-25) to decrease the setting.
5. Perform required load tests after adjustment. (See TESTING, page 8). Revise the adjustment if necessary. **NOTE:** The hoist should not be able to lift 150% of the rated capacity load if the load limiter has been properly adjusted.
6. Replace the center cap (656-36) in the handwheel cover (656-34A).

MAINTENANCE (CONTINUED)

LUBRICATION

If hoist is disassembled for service, repair or inspection, remove and clean existing grease from unit and replace with approximately 1 oz. of Poliplex 2 (Century Lubricants Co.) grease or equal lubricant to the exterior surface of the drive shaft, gears, internal thread of brake hub, surface of liftwheel bushings (1/2 ton unit), bushings in the gear side plate and gear cover, internal and external surfaces of handwheel bushings and rim of handwheel cover.

GEARS

The gears (656-12A and 656-12B) do not have to be timed and as a result, they do not have to be oriented in a certain position during assembly. However, for proper operation of the 1/2, 1, 3, 5 and 10 ton units, one gear marked "A" and one gear marked "B" must be used.

PREVENTIVE MAINTENANCE

In addition to the inspection procedures, a preventative maintenance program should be established to prolong the useful life of the hoist and maintain its dependability and continued safe use. The program should include the periodic inspections with particular attention being paid to the lubrication of various components using the recommended lubricants (See Figure 7).

TESTING

Prior to initial use, all repaired or used hoists that have not been operated for the previous 12 months shall be tested by the user for proper operation.

Test the unit first in the unloaded state and then with a light load of 100 lbs. times the number of load supporting parts of load chains to be sure it operates properly and the brake holds the load when

the hand chain is released; then test with a load of 125% of its rated capacity.

In addition, hoists in which load sustaining parts have been replaced must be tested with 125% of rated capacity by or under the direction of a designated person and a written report prepared for record purposes.

NOTE: Because this hoist is equipped with a load limiting device occasional slipping of the handchain wheel may occur when testing with 125 percent of rated load.

NOTE: For additional information on Inspection and Testing refer to ASME B30.16, "Overhead Hoists", obtainable from ASME Order Department, 22 Law Drive, Box 2300, Fairfield, NJ 07007-2300, U.S.A.

RECOMMENDED SPARE PARTS

- Pawl Kit
- Ratchet Kit
- Upper Hook Assembly Kit
- Lower Hook Assembly Kit
- Upper Latch Kit
- Lower Latch Kit
- Load Chain
- Hand Chain

WARNING
Alterations or modifications of equipment and use of any parts other than CM Hurricane 360 manual hoist repair parts can lead to dangerous operation and injury.
TO AVOID INJURY:
Do not alter or modify equipment. Do use only CM Hurricane 360 provided replacement parts.

INSPECTOR'S REPORT			
ITEM	REMARKS (LIST DEFICIENCIES AND RECOMMENDED ACTION)		
Inspector's Signature	Date Inspected	Approved by	Date

Figure 6 - Recommended Inspector's Report

RECOMMENDED LUBRICATION SCHEDULE*						
KEY NO. (SEE PAGES 13 & 14)	COMPONENT	TYPE OF LUBRICANT	**ORDER PART NO.	TYPE OF SERVICE AND FREQUENCY OF LUBRICATION		
656-28	Load Chain	Lubriplate® Bar and Chain Oil 10-R	28619 (1 gal. can)	HEAVY	NORMAL	INFREQUENT
				Daily	Weekly	Monthly
656-11 656-12 656-13 656-17	Gears and Bearing Surfaces of Upper and Lower Hook Knobs	Poliplex 2	40630 (1 lb. can)	When hoist is disassembled for cleaning or repairs		

* This lubrication schedule is based on a hoist operating in normal environment conditions. Hoists operating in adverse atmospheres containing excessive heat, corrosive fumes or vapors, abrasive dust, etc., should be lubricated more frequently.

** See page 13 for ORDERING INSTRUCTIONS.

Figure 7 - Recommended Lubrication Schedule

MAINTENANCE (CONTINUED)

INSPECTION AND MAINTENANCE CHECK LIST HAND OPERATED CHAIN HOIST

ENGLISH

Type of Hoist _____ Capacity (Tons) _____
 Location _____ Original Installation Date _____
 Manufacturer _____ Manufacturer's Serial No. _____

Item	Frequency of Inspection		Possible Deficiencies	OK	Action Required
	Frequent	Periodic			
	Daily	Every 3 Months to Annually as defined per ASME B30.21			
Brake Mechanism	*	*	Slippage or excessive drift. Worn, glazed or contaminated friction discs. Thickness of brake ratchet assembly less than 7mm		
Handwheel	*	*	Binding and does not move freely.		
Load Chain	*	*	Inadequate lubrication, excessive wear or stretch, cracked, damaged or twisted links, corroded or clogged with foreign material.		
Hooks	*	*	Excessive throat opening, twisted, damaged or non-operating hook latch, chemical damage. Cracks (Use dye penetrant, magnetic or other suitable detection method at least once a year).		
Lower Hook Block, Upper Hook Block, Upper Hook Pin, Chain Guide, Bushings, Gears, Drive Shaft, Brake Hub and Brake Plate		*	Cracks, distortion, excessive wear, corrosion or build-up of foreign material.		
Tip of Driver, Inboard and Outboard Stops on Handwheel and Outboard Lugs on Brake Hub		*	Cracks, distortion, excessive wear, corrosion or build-up of foreign material.		
Pockets of Liftwheel, Stripper and Side Plates		*	Cracks, distortion, excessive wear, corrosion or build-up of foreign material.		
Nuts, Screws, Pins and Cotter Pin		*	Cracks, bending, loose, stripped threads.		
Brake Spring		*	Corrosion, stretched or broken.		
Loose End Connector		*	Missing, cracked, not secured to chain, not properly positioned.		
Nameplate, Warning Labels and Free Chaining		*	Missing, Damaged or illegible.		

NOTE: Refer to Maintenance and Inspection Sections of this manual for further details.

FREQUENCY OF INSPECTION

Frequent - Indicates items requiring inspection daily or before each use. These inspections may be performed by the operator if properly designated.

Periodic - Indicates items requiring inspection every three months. Inspections to be performed by or under the direction of a properly designated person. The exact period of inspection will depend on frequency and type of usage. Determination of this period will be based on the user's experience. It is recommended that the user begin with a quarterly inspection and extend the periods to semi-annually or annually based on the user's quarterly experience.

NOTE: This inspection and maintenance check list is in accordance with our interpretation of the requirements of the Safety Standard for Hand Chain Hoists ASME B30.21. It is, however, the ultimate responsibility of the employer/user to interpret and adhere to the applicable requirements of this safety standard.

Figure 9 – Recommended Inspection and Maintenance Check List

TROUBLESHOOTING CHART

ENGLISH

Symptom	Possible Cause(s)	Corrective Action
1. Hoist is hard to operate in either direction.	<ol style="list-style-type: none"> 1. Load chain worn long to gauge, thus binding between liftwheel and chain guide. 2. Load chain rusty, corroded or clogged with foreign matter such as cement or mud. 3. Bushings clogged with matter such as cement or dust. 4. Handwheel. 5. Brake parts corroded or clogged with foreign matter. 6. Liftwheel pockets clogged with foreign matter or worn excessively causing chain to bind between liftwheel and chain guide. 7. Liftwheel twisted or bent - gear teeth bent. 	<ol style="list-style-type: none"> 1. Check chain, (See page 7) and replace if worn excessively. 2. Clean chain by tumble polishing or using a non-acid or non-caustic type solvent. Check chain for gouges, damaged or bent links. Lubricate with Lubriplate® Bar and Chain Oil 10-R (Fiske Bros. Refining Co.) or equal lubricant. 3. Disassemble and clean liftwheel bushings and bushings in gear cover and side plate (gear side). Any parts worn excessively should be replaced. 4. Clean by removing any foreign matter which may be around the handwheel. 5. Disassemble brake and clean thoroughly (by wiping with a cloth - not by washing in a solvent). Replace ratchet assembly if too gummy, worn or scored. Keep brake surfaces clean and dry. 6. Clean out pockets and use if not worn excessively. Replace liftwheel if pockets are worn. 7. Excessive overload had been applied. Replace damaged parts.
2. Hoist is hard to operate in down direction.	<ol style="list-style-type: none"> 1. Brake parts corroded or clogged with foreign matter. 2. Brake not properly adjusted. 3. Chain binding. 	<ol style="list-style-type: none"> 1. Disassemble brake and clean thoroughly. (By wiping with a cloth - not by washing in a solvent). Replace brake disc if gummy, visibly worn or coated with a foreign matter. Keep brake disc and brake surfaces clean and dry. 2. Readjust Brake (See page 7). 3. See Items 1A, 1B and 1C.
3. Hoist is hard to operate in the hoisting direction.	<ol style="list-style-type: none"> 1. Chain binding. 	<ol style="list-style-type: none"> 1. See Items 1A, 1B and 1C.
4. Hoist will not operate in either direction.	<ol style="list-style-type: none"> 1. Driver or stops on handwheel broken. 2. Gears jammed 	<ol style="list-style-type: none"> 1. Replace damaged part. 2. Inspect for foreign matter in gear teeth.
5. Hoist will not operate in the lowering direction	<ol style="list-style-type: none"> 1. Locked brake due to a suddenly applied load, shock load, or load removed by means other than by operating unit in the lowering direction. 2. Chain binding 3. Lower hook all the way out. Load Chain fully extended. 	<ol style="list-style-type: none"> 1. With hoist under load keep chain taut, pull sharply on hand chain in the lowering direction to loosen brake. 2. See Items 1A, 1B and 1C. 3. Chain taut between the liftwheel and loose end connector. Operate unit in hoisting direction only.
6. Hoist will not operate in the hoisting direction	<ol style="list-style-type: none"> 1. Chain binding 2. Overload 	<ol style="list-style-type: none"> 1. See Items 1A, 1B and 1C. 2. If handwheel slips while operating, reduce load or use correct capacity hoist.
7. Hoist will not hold load in suspension.	<ol style="list-style-type: none"> 1. Lower hook or load side of chain on wrong side of liftwheel. 2. Brake not properly adjusted. 3. Driver or stops on handwheel broken. 4. Worn brake parts. 5. Oily, dirty or corroded brake friction surfaces. 	<ol style="list-style-type: none"> 1. Lower hook must be on same side of liftwheel as upper hook 2. Readjust Brake (See page 7). 3. See Item 4A. 4. Replace brake parts which are worn. 5. See Item 2A.

REPAIR PARTS LIST 1/2 TONNE - 10 TONNE

ORDERING INSTRUCTIONS: The following information must accompany all correspondence and orders for replacement parts.

1. Hoist rated load from nameplate.
2. Serial number of the hoist stamped on nameplate.
3. Length of lift.
4. Key number of part from parts list.
5. Number of parts required.
6. Part name from parts list.
7. Part number from parts list.

Part Number	Item Number	Description	Qty.
360-0001		360 Gear Kit 0.5T	
	656-11	Lift Wheel Gear	1
	656-11A	Washer	1
	656-11B	Location Ring	2
	656-12A	Reduction Gear Set -A-	1
	656-12B	Reduction Gear Set -B-	1
	656-10	Drive shaft	1
360-0002		360 Gear Kit 1T	
	656-11	Lift Wheel Gear	1
	656-11A	Washer	1
	656-11B	Location Ring	2
	656-12A	Reduction Gear Set -A-	1
	656-12B	Reduction Gear Set -B-	1
	656-10	Drive shaft	1
360-0003		360 Gear Kit 2T	
	656-11	Lift Wheel Gear	1
	656-11A	Washer	1
	656-11B	Location Ring	2
	656-12A	Reduction Gear Set -A-	2
	656-10	Drive shaft	1
360-0004		360 Gear Kit 3T - 10T	
	656-11	Lift Wheel Gear	1
	656-11A	Washer	1
	656-11B	Location Ring	2
	656-12A	Reduction Gear Set -A-	1
	656-12B	Reduction Gear Set -B-	1
	656-10	Drive shaft	1
360-0010		360 Lift Wheel Kit 0.5T	
	656-8	Liftwheel Assembly	1
	656-18	Liftwheel bearing	2
360-0011		360 Lift Wheel Kit 1T	
	656-8	Liftwheel Assembly	1
	656-18	Liftwheel bearing	2
360-0012		360 Lift Wheel Kit 2T	
	656-8	Liftwheel Assembly	1
	656-18	Liftwheel bearing	2
360-0013		360 Gear Kit 3T - 10T	
	656-8	Liftwheel Assembly	1
	656-18	Liftwheel bearing	2
360-0020		360 Side Plate Kit (Gear) 0.5T	
-	656-2	Gearing Side Plate	1
-	656-4	End Cover Assembly	2
360-0020A		360 Side Plate Kit (Handwheel) 0.5T	
-	656-4	End Cover Assembly	2
-	656-9	Handwheel Side Plate Assembly	1
360-0021		360 Side Plate Kit (Gear) 1T	
-	656-2	Gearing Side Plate	1
-	656-4	End Cover Assembly	2
360-0021A		360 Side Plate Kit (Handwheel) 1T	
-	656-4	End Cover Assembly	2
-	656-9	Handwheel Side Plate Assembly	1
360-0022		360 Side Plate Kit (Gear) 2T	
-	656-2	Gearing Side Plate	1
-	656-4	End Cover Assembly	2
360-0022A		360 Side Plate Kit (Handwheel) 2T	
-	656-4	End Cover Assembly	2
-	656-9	Handwheel Side Plate Assembly	1
360-0023		360 Side Plate Kit (Gear) 3T - 10T	
-	656-2	Gearing Side Plate	1
-	656-4	End Cover Assembly	2
360-0023A		360 Side Plate Kit (Handwheel) 3T - 10T	
-	656-4	End Cover Assembly	2
-	656-9	Handwheel Side Plate Assembly	1
360-0030		360 Stripper Kit 0.5T	
	656-5	Chain Guide	1
	656-6	Chain Stripper	1
	656-7	Loose End Connector Kit	1

Part Number	Item Number	Description	Qty.
360-0031		360 Stripper Kit 1T	
	656-5	Chain Guide	1
	656-6	Chain Stripper	1
	656-7	Loose End Connector Kit	1
360-0032		360 Stripper Kit 2T	
	656-5	Chain Guide	1
	656-6	Chain Stripper	1
	656-7	Loose End Connector Kit	1
360-0033		360 Stripper Kit 3T - 10T	
	656-5	Chain Guide	1
	656-6	Chain Stripper	1
	656-7	Loose End Connector Kit	1
360-0050		360 Handwheel Kit 0.5T	
	656-27	Handwheel	1
	656-37	Warning Tube	1
360-0051		360 Handwheel Kit 1T	
	656-27	Handwheel	1
	656-37	Warning Tube	1
360-0052		360 Handwheel Kit 2T	
	656-27	Handwheel	1
	656-37	Warning Tube	1
360-0053		360 Handwheel Kit 3T - 10T	
	656-27	Handwheel	1
	656-37	Warning Tube	1
360-0070A		360 Ratchet Retro Fit Kit 0.5T - For Serial Numbers BEFORE 151100620	
-	656-20	Pressure Plate	1
-	656-21	Ratchet Disc	1
-	656-22	Handwheel Brake Hub	1
-	656-26	Friction Disc	3
-	656-41	Retaining ring	1
-	656-9	Handwheel Side Plate Assembly	1
360-0070		360 Ratchet Kit 0.5T - For Serial Numbers AFTER 151100620	
-	656-20	Pressure Plate	1
-	656-21	Ratchet Disc	1
-	656-22	Handwheel Brake Hub	1
-	656-26	Friction Disc	4
-	656-41	Retaining ring	1
360-0071		360 Ratchet Retro Fit Kit 1T - For Serial Numbers BEFORE 150808997A	
-	656-20	Pressure Plate	1
-	656-21	Ratchet Disc	1
-	656-22	Handwheel Brake Hub	1
-	656-26	Friction Disc	4
-	656-41	Retaining ring	1
-	656-9	Handwheel Side Plate Assembly	1
360-0074		360 Ratchet Kit 1T - For Serial Numbers AFTER 150808997A	
-	656-20	Pressure Plate	1
-	656-21	Ratchet Disc	1
-	656-22	Handwheel Brake Hub	1
-	656-26	Friction Disc	4
-	656-41	Retaining ring	1
360-0072		360 Ratchet Kit 2T	
-	656-20	Pressure Plate	1
-	656-21	Ratchet Disc assembly	1
-	656-22	Handwheel Brake Hub	1
-	656-26	Friction Disc	4
-	656-41	Retaining ring	1
360-0073		360 Ratchet Kit 3T - 10T	
-	656-20	Pressure Plate	1
-	656-21	Ratchet Disc assembly	1
-	656-22	Handwheel Brake Hub	1
-	656-26	Friction Disc	4
-	656-41	Retaining ring	1

REPAIR PARTS LIST 1/2 TONNE - 10 TONNE (CONTINUED)

Part Number	Item Number	Description	Qty.
360-0080		360 Brake Cover Kit 0.5T	
	656-19	Cover Hardware Kit	1
	656-34A	Handwheel Cover Assembly	1
	656-35	Handwheel Cover Support	1
	656-36	Cap, CM Kit (with Socket cap screw)	1
360-0081		360 Brake Cover Kit 1T	
	656-19	Cover Hardware Kit	1
	656-34A	Handwheel Cover Assembly	1
	656-35	Handwheel Cover Support	1
	656-36	Cap, CM Kit (with Socket cap screw)	1
360-0082		360 Brake Cover Kit 2T	
	656-19	Cover Hardware Kit	1
	656-34A	Handwheel Cover Assembly	1
	656-35	Handwheel Cover Support	1
	656-36	Cap, CM Kit (with Socket cap screw)	1
360-0083		360 Brake Cover Kit 3T - 10T	
	656-19	Cover Hardware Kit	1
	656-34A	Handwheel Cover Assembly	1
	656-35	Handwheel Cover Support	1
	656-36	Cap, CM Kit (with Socket cap screw)	1
360-0084		360 Gear Cover Kit 0.5T	
	656-1	Gear Cover with Bushings	1
	656-19	Cover Hardware Kit	1
	656-38	Warning Label Kit (3 labels)	1
	656-39	Nameplate Kit (with drive screw)	1
360-0085		360 Gear Cover Kit 1T	
	656-1	Gear Cover with Bushings	1
	656-19	Cover Hardware Kit	1
	656-38	Warning Label Kit (3 labels)	1
	656-39	Nameplate Kit (with drive screw)	1
360-0086		360 Gear Cover Kit 2T	
	656-1	Gear Cover with Bushings	1
	656-19	Cover Hardware Kit	1
	656-38	Warning Label Kit (3 labels)	1
	656-39	Nameplate Kit (with drive screw)	1
360-0087		360 Gear Cover Kit 3T - 10T	
	656-1	Gear Cover with Bushings	1
	656-19	Cover Hardware Kit	1
	656-38	Warning Label Kit English	1
	656-38	Warning Label Kit Spanish	1
	656-38	Warning Label Kit French	1
	656-39	Nameplate Kit (with drive screw)	1
N/S	Bearing	1	
360-0088		360 Gear Cover Kit 5T	
	656-1	Gear Cover with Bushings	1
	656-19	Cover Hardware Kit	1
	656-38	Warning Label Kit English	1
	656-38	Warning Label Kit Spanish	1
	656-38	Warning Label Kit French	1
	656-39	Nameplate Kit (with drive screw)	1
	N/S	Bearing	1
360-0089		360 Gear Cover Kit 10T	
	656-1	Gear Cover with Bushings	1
	656-19	Cover Hardware Kit	1
	656-38	Warning Label Kit English	1
	656-38	Warning Label Kit Spanish	1
	656-38	Warning Label Kit French	1
	656-39	Nameplate Kit (with drive screw)	1
N/S	Bearing	1	
360-0090		360 Hardware Kit 0.5T	
	656-19	Cover Hardware Kit	1
	656-25	Groove Nut	1
	656-29	Washer	1
	656-30	Castle Nut	1
	656-33	Cotter Pin	1
360-0091		360 Hardware Kit 1T	
	656-19	Cover Hardware Kit	1
	656-25	Groove Nut	1
	656-29	Washer	1
	656-30	Castle Nut	1
	656-33	Cotter Pin	1
360-0092		360 Hardware Kit 2T	
	656-19	Cover Hardware Kit	1
	656-25	Groove Nut	1

Part Number	Item Number	Description	Qty.
	656-29	Washer	1
	656-30	Castle Nut	1
	656-33	Cotter Pin	1
360-0093		360 Hardware Kit 3T - 10T	
	656-19	Cover Hardware Kit	1
	656-25	Groove Nut	1
	656-29	Washer	1
	656-30	Castle Nut	1
	656-33	Cotter Pin	1
360-0100		360 Pawl Kit 0.5T - 1T	
	656-42	Retaining ring	2
	656-43	Pawl	2
	656-44	Spring (pawl Spring)	2
360-0101		360 Pawl Kit 2T	
	656-42	Retaining ring	2
	656-43	Pawl	2
	656-44	Spring (pawl Spring)	2
360-0102		360 Pawl Kit 3T - 10T	
	656-42	Retaining ring	2
	656-43	Pawl	2
	656-44	Spring (pawl Spring)	2
360-0110		360 Handwheel Overload Clutch 0.5T	
	656-23	Pressure Plate	1
	656-24	Belleville Spring Washer	1
	656-25	Groove Nut	1
	656-26	Friction Disc	1
	656-29	Washer	1
	656-30	Castle Nut	1
	656-33	Cotter Pin	1
360-0111		360 Handwheel Overload Clutch 1T	
	656-23	Pressure Plate	1
	656-24	Belleville Spring Washer	1
	656-25	Groove Nut	1
	656-26	Friction Disc	1
	656-29	Washer	1
	656-30	Castle Nut	1
	656-33	Cotter Pin	1
360-0112		360 Handwheel Overload Clutch 2T	
	656-23	Pressure Plate	1
	656-24	Belleville Spring Washer	1
	656-25	Groove Nut	1
	656-26	Friction Disc	1
	656-29	Washer	1
	656-30	Castle Nut	1
	656-33	Cotter Pin	1
360-0113		360 Handwheel Overload Clutch 3T & 10T	
	656-23	Pressure Plate	1
	656-24	Belleville Spring Washer	1
	656-25	Groove Nut	1
	656-26	Friction Disc	1
	656-29	Washer	1
	656-30	Castle Nut	1
	656-33	Cotter Pin	1
360-0114		360 Handwheel Overload Clutch 5T	
	656-23	Pressure Plate	1
	656-24	Belleville Spring Washer	1
	656-25	Groove Nut	1
	656-26	Friction Disc	1
	656-29	Washer	1
	656-30	Castle Nut	1
	656-33	Cotter Pin	1
360-0120		360 Upper Hook Assembly Kit 0.5T	
	656-13	Upper Hook Assembly	1
	656-14	Upper Hook Pin	1
360-0121		360 Upper Hook Assembly Kit 1T	
	656-13	Upper Hook Assembly	1
	656-14	Upper Hook Pin	1
360-0122		360 Upper Hook Assembly Kit 2T	
	656-13	Upper Hook Assembly	1
	656-14	Upper Hook Pin	1
360-0123		360 Upper Hook Assembly Kit 3T	
	656-13	Upper Hook Assembly	1
	656-14	Upper Hook Pin	1

ENGLISH

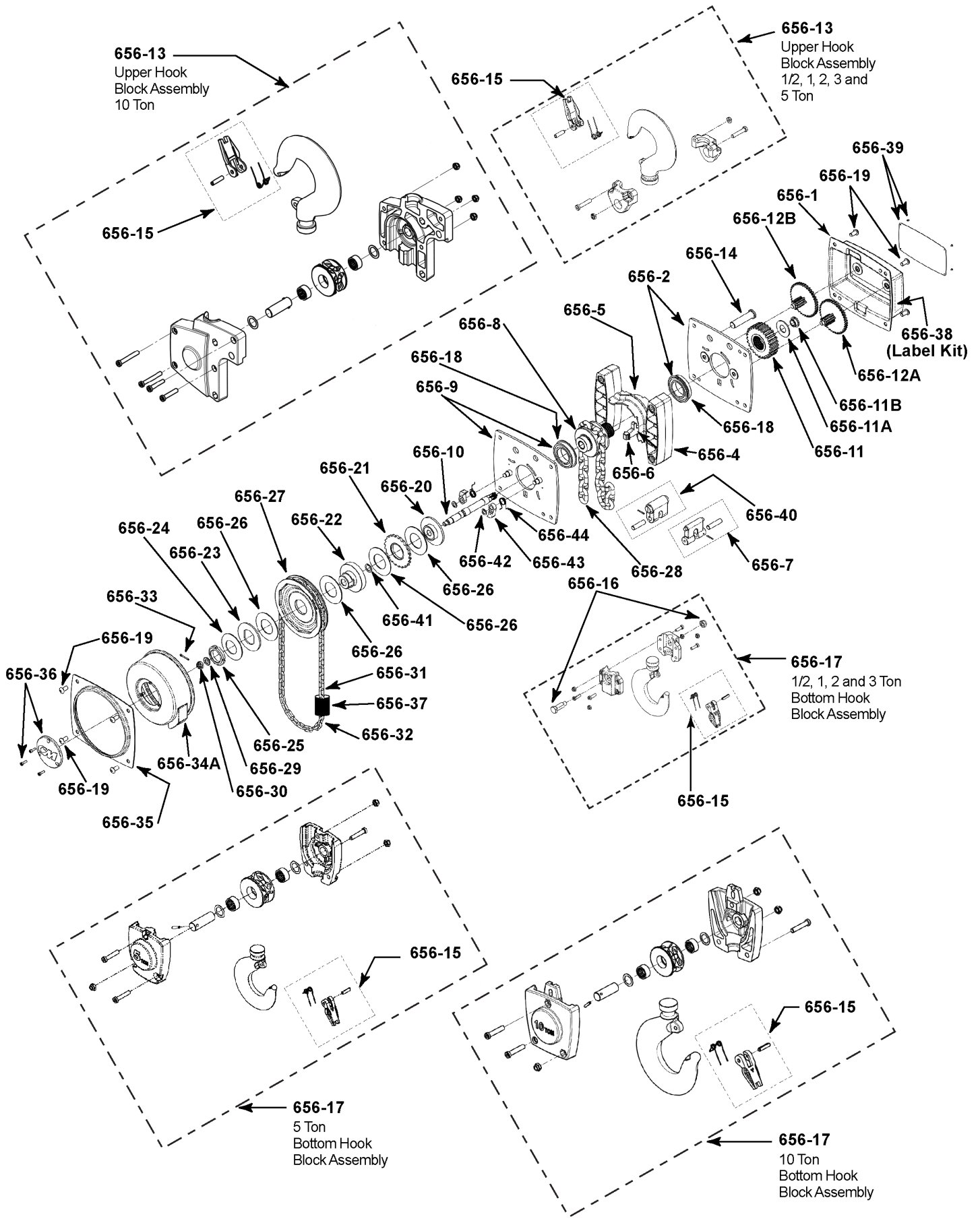
REPAIR PARTS LIST 1/2 TONNE - 10 TONNE (CONTINUED)

ENGLISH

Part Number	Item Number	Description	Qty.
360-0124		360 Upper Hook Assembly Kit 5T	
	656-13	Upper Hook Assembly	1
	656-14	Upper Hook Pin	1
360-0125		360 Upper Hook Assembly Kit 10T	
	656-13	Upper Hook Assembly	1
	656-14	Upper Hook Pin	1
360-0130		360 Lower Hook Assembly Kit 0.5T	
	656-17	Lower Hook Assembly	1
360-0131		360 Lower Hook Assembly Kit 1T	
	656-17	Lower Hook Assembly	1
360-0132		360 Lower Hook Assembly Kit 2T	
	656-17	Lower Hook Assembly	1
360-0133		360 Lower Hook Assembly Kit 3T	
	656-17	Lower Hook Assembly	1
360-0134		360 Lower Hook Assembly Kit 5T	
	656-17	Lower Hook Assembly	1
360-0135		360 Lower Hook Assembly Kit 10T	2
	656-17	Lower Hook Assembly	1
85826	656-28	Load Chain 0.5T	1
85789	656-28	Load Chain 1T	1
635232	656-28	Load Chain 2T	1
85962	656-28	Load Chain 3T - 5T	1
85962	656-28	Load Chain 10T	1
00400354	656-14	Top Hook Shaft 0.5T	1
00400270	656-14	Top Hook Shaft 1T	1
00400307	656-14	Top Hook Shaft 2T	1
00400482	656-14	Top Hook Shaft 3T & 10 T	1
00400514	656-14	Top Hook Shaft 5T	1
04307654ZPY	656-31	Hand Chain	1
00400449	656-15	Latch Kit 0.5T	1
00400450	656-15	Latch Kit 1T	1
00400451	656-15	Latch Kit 2T	1
00400647	656-15	Latch Kit 3T	1
65600004	656-15	Latch Kit 5T	1
65600005	656-15	Latch Kit 10T	1
65600022	656-40	Load chain Anchor Kit 5T	1
04307654CZPY	656-32	Hand chain connecting link	1
00401378	656-39	Nameplate Kit (with drive screw) 0.5T	1
00401379	656-39	Nameplate Kit (with drive screw) 1T	1
00401380	656-39	Nameplate Kit (with drive screw) 2T	1
00401382	656-39	Nameplate Kit (with drive screw) 3T	1
00401383	656-39	Nameplate Kit (with drive screw) 5T	1
00401384	656-39	Nameplate Kit (with drive screw) 10T	1

CM® HURRICANE 360° HAND CHAIN HOIST EXPLODED VIEW 1/2 TONNE - 10 TONNE

ENGLISH



CM® HURRICANE 360° HAND CHAIN HOIST PARTS LIST - 15 TONNE - 20 TONNE

ENGLISH

Part Number	Drawing Number	Description	Qty.
360-0004		360 Gear Kit 15T - 20T	
-	656-9	Gear Z4	1
-	656-13	Locating ring	2
-	656-14	Washer	1
-	656-10	Gear A, assy.	1
-	656-11	Gear B, assy.	1
-	656-12	Drive pinion	1
360-0013		360 Lift Wheel Kit 15T - 20T	
-	656-3	Liftwheel Assembly	1
-	656-8	Liftwheel bearing	2
360-0023A		360 Side Plate Kit (Handwheel) 15T - 20T	
-	656-1	Side plate, assy. (handwheel side)	1
-	656-4	End cover	2
360-0023		360 Side Plate Kit (Gear) 15T - 20T	
-	656-2	Side plate, assy. (gearcase side)	1
-	656-4	End cover	2
360-0033		360 Stripper Kit 15T - 20 T	
-	656-6	Chain guide	1
-	656-7	Stripper	1
-	656-16	Chain end stop, assy.	1
360-0054		360 Handwheel Kit 15T - 20T	
-	656-24	Slip clutch assy.	1
-	N/S	Warning Tube	1
360-0075		360 Ratchet Kit 15T - 20T	
-	656-17	Ratchet disc	1
-	656-21	Friction disc	2
-	656-22	Retaining ring	1
-	656-23	Disc hub	1
360-0083		360 Brake Cover Kit 15T - 20T	
-	656-31	Cover Hardware Kit	1
-	656-28	Handwheel Cover Assembly	1
-	656-30	Handwheel Cover Support	1
-	656-32	Cap, CM Kit (with Socket cap screw)	1
360-0093		360 Hardware Kit 15T - 20T	
-	656-25	Washer	1
-	656-26	Castle nut	1
-	656-27	Cotter pin	1
360-0095		360 Cover Hardware Kit 15T - 20T	
-	656-33	Screw	3
-	656-32	Cap	1
360-0102		360 Pawl Kit 15T - 20T	
-	656-18	Pawl	2
-	656-19	Spring	2
-	656-20	Retaining ring	2
360-0126*		360 Upper Hook Assembly Kit 15T - 20T	
-	656-5	Hook, assy.	1
-	656-11	Top hook bolt	1
360-0136*		360 Lower Hook Assembly Kit 15T - 20T	2

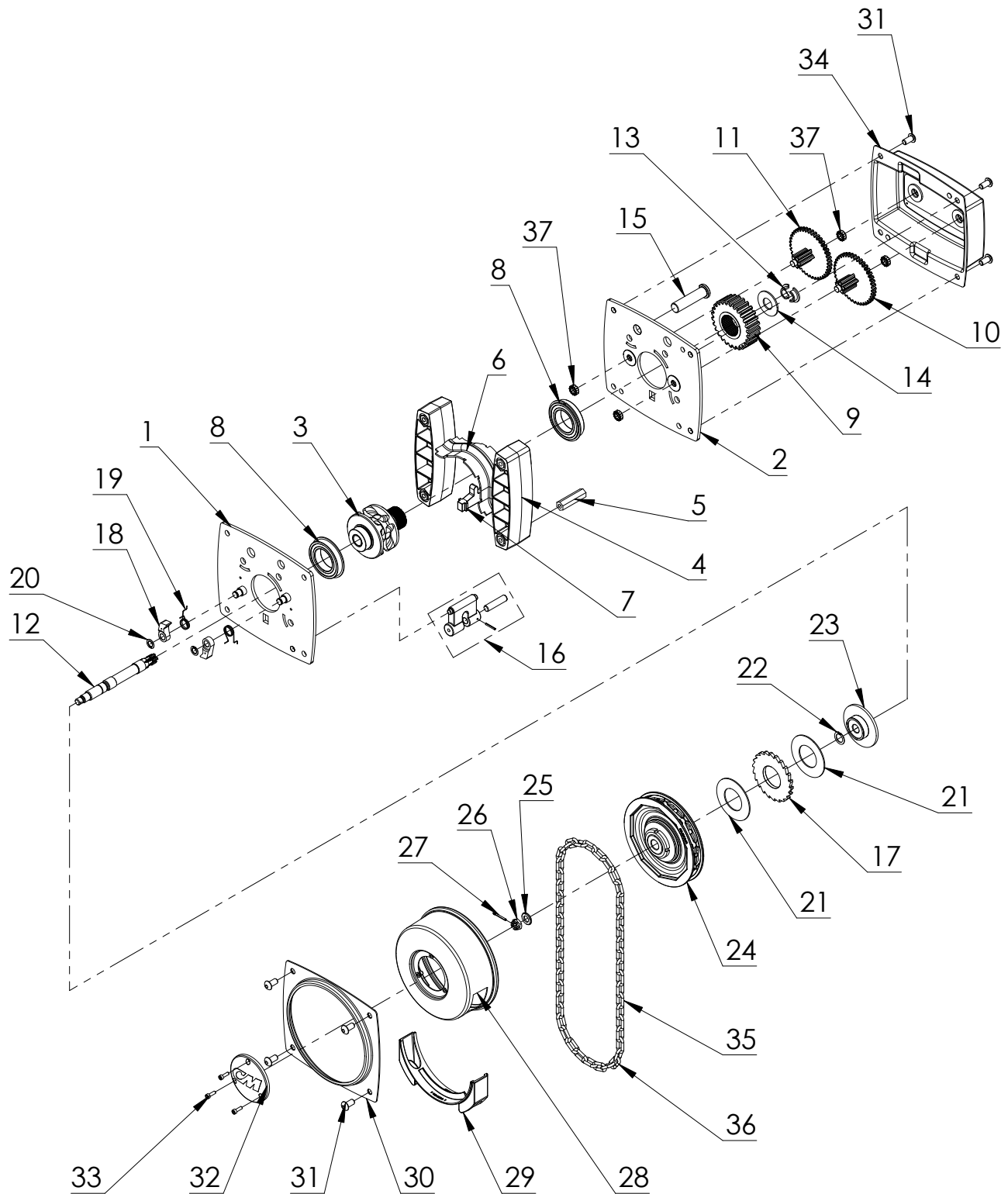
Part Number	Drawing Number	Description	Qty.
-	656-3	Bottom Block Assembly	1
360-0141		360 Gear Cover Kit 15T - 20T	
-	656-31	Screw	8
-	656-34	Gear cover, assy.	1
Parts available as individual components			
09108020	656-31	Screw	8
09102199	656-33	Screw	3
04307654	656-35	Hand chain	2
04307654CZPB	656-36	Connecting link	1

*Shown in diagram on page 20.

NOTE: For the 15 Tonne and 20 Tonne Hurricane 360 Hand Chain Hoists, there are two hand chain hoists attached to a frame assembly. Therefore, you may need to order two sets of parts for repairs.

CM® HURRICANE 360° HAND CHAIN HOIST EXPLODED VIEW 15 TONNE - 20 TONNE

ENGLISH



Note: For the 15 Tonne and 20 Tonne Hurricane 360 Hand Chain Hoists, there are two hand chain hoists attached to a frame assembly. Therefore, you may need to order two sets of parts for repairs.

Note: For Serial numbers with no A at the end, Ref No. 1, 22 and 28 can be replaced together. If your serial number has an A at the end, use Ref No 45.

CM® HURRICANE 360° HOIST FRAME EXPLODED VIEW 15 TONNE - 20 TONNE

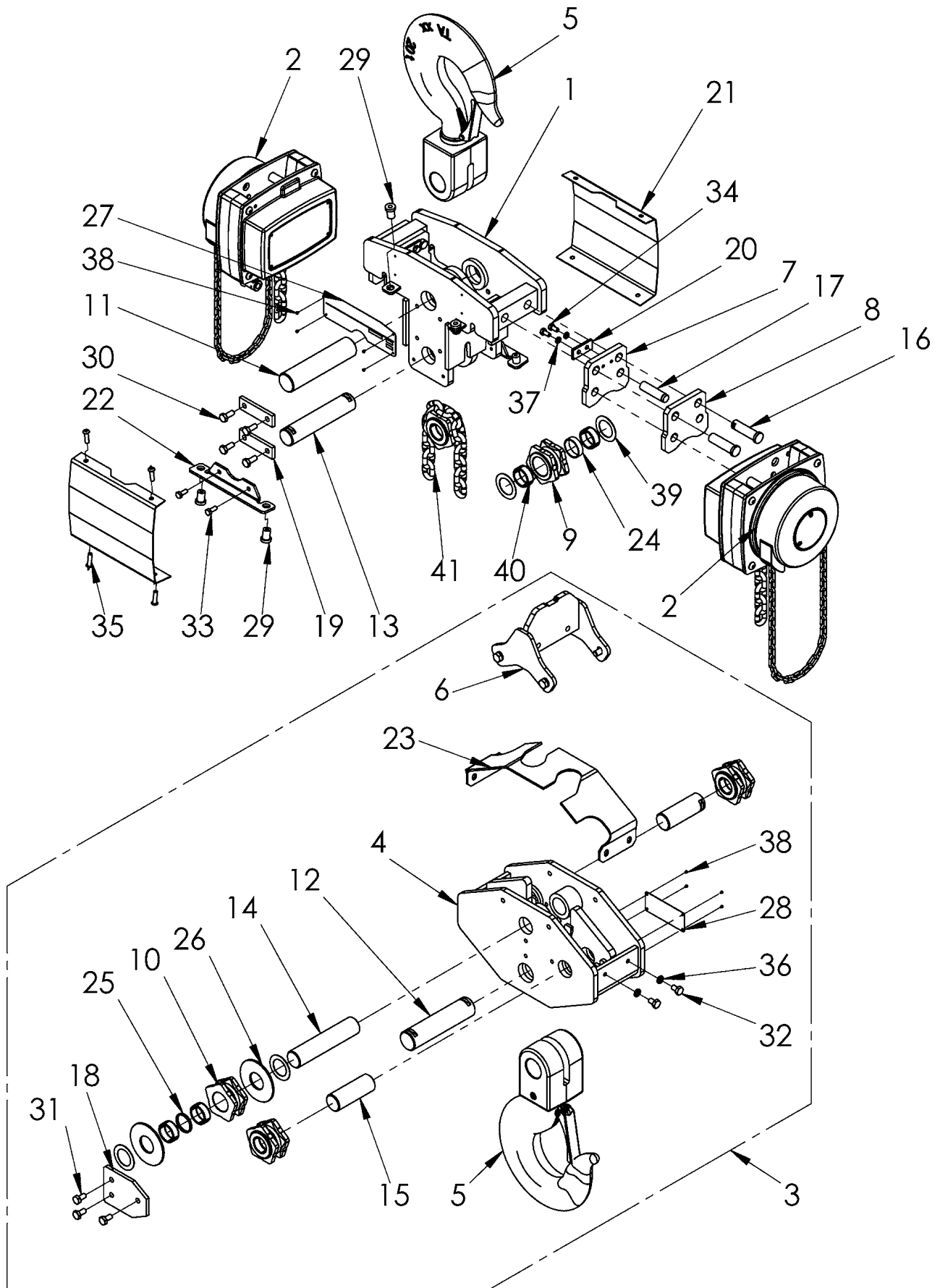
ENGLISH

Part Number	Drawing Number	Description	Qty.
360-0142		360 Frame Side Cover Kit 15T - 20T	
-	656-21	Side cover	2
-	656-35	Round head screw	8
360-0143		360 Side Cover Support Kit 15T - 20T	
-	656-22	Side cover support	2
-	656-29	Nut	2
-	656-33	Screw	2
360-0144		360 Hoist Axle Support Kit 15T - 20T	
-	656-19	Hoist Axle support plate	4
-	656-30	Screw	4
360-0145		360 Name Plate, Support Frame Kit 15T	
-	656-27	Name plate, supporting frame	1
-	656-38	Round head grooved pin	4
360-0146		360 Name Plate, Support Frame Kit 20T	
-	656-27	Name plate, supporting frame	1
-	656-38	Round head grooved pin	4
360-0147		360 Capacity Plate Kit 15T	
-	656-28	Capacity Plate	1
-	656-38	Round head grooved pin	4
360-0148		360 Capacity Plate Kit 20T	
-	656-28	Capacity Plate	1
-	656-38	Round head grooved pin	4
360-0149		360 Top Liftwheel Kit 15T - 20T	
-	656-9	Top Lift Wheel	4
-	656-40	Roller	10
-	656-24	Hoist Washer	4
-	656-39	Washer	10
360-0150		360 Hoist Attachment Kit 15T - 20T	
-	656-7	Adapter plate	2
-	656-8	Adapter plate	2
-	656-20	Hoist Axle support	2
-	656-334	Screw	4
-	656-17	Supporting Suspension bolt	2
-	656-16	Hoist Suspension bolt	4
-	656-37	Spring washer	4
360-0151		360 Frame Assembly Kit 15T - 20T	
-	656-1	Supporting frame, assy.	1
-	656-13	Top Frame bolt	1
-	656-28	Nut	8

Part Number	Drawing Number	Description	Qty.
Parts available as individual components			
00400915	656-11	Top hook bolt	1
00400917	656-12	Load hook bolt	1
00400916	656-13	Top Frame bolt	1
00400918	656-14	Bottom Block bolt	1
00401098	656-15	Bottom Lift Wheel bolt	2
00400911	656-16	Hoist Suspension bolt	4
00550147	656-17	Supporting Suspension bolt	2
192031037	656-25	Bottom Block Washer	1
192031036	656-26	Bottom Block Washer	2
09177096	656-29	Nut	8
09101023	656-30	Screw	8
09101016	656-31	Screw	6
09101418	656-32	Screw	4
09101013	656-33	Screw	4
09101415	656-34	Screw	4
09108052	656-35	Round head screw	8
09122013	656-36	Spring washer	4
09122016	656-37	Spring washer	4
09128004	656-38	Round head grooved pin	8
09153054	656-39	Washer	10
85962	656-41	Load chain	1**

**CM® HURRICANE 360° HAND CHAIN HOIST FRAME EXPLODED VIEW
15 TONNE - 20 TONNE**

ENGLISH



NOTES

ENGLISH

SEGURIDAD: SU RESPONSABILIDAD...

⚠️ ADVERTENCIA

NO ELEVE CARGAS SUPERIORES A LA CARGA NOMINAL.
HÁGALO FUNCIONAR SÓLO MANUALMENTE (UN OPERARIO).

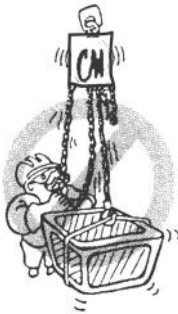
ELIJA EL POLIPASTO ADECUADO AL TRABAJO QUE VAYA A REALIZAR...

Seleccione un polipasto con la capacidad adecuada al trabajo a realizar. Sea consciente de la capacidad de su polipasto y del peso de las cargas.

Utilice el polipasto adecuado para las cargas.

Tenga también en cuenta, a la hora de seleccionar el polipasto, el tamaño y tipo de carga, los accesorios que vaya a utilizar y el período de uso.

No se olvide que aunque el polipasto se ha diseñado para facilitar el transporte de cargas, si no se extreman las precauciones, no sólo se



⚠️ ADVERTENCIA

NO PONGA EN FUNCIONAMIENTO UN POLIPASTO QUE FUNCIONE MAL O SEA DEFECTUOSO.

NO UTILICE POLIPASTOS CON LA CADENA DESGASTADA, TORCIDA O DAÑADA.

pondrá en peligro la integridad del operario, sino la de la carga también.

INSPECCIÓN

Compruebe visualmente todos los polipastos antes de utilizarlos, además de las comprobaciones de mantenimiento periódicas.



Compruebe que las leyendas de advertencias sean legibles.

Anote cualquier deficiencia y comuníquelo al supervisor. Asegúrese de colocar un cartel de advertencia para inutilizar cualquier polipasto defectuoso hasta que se repare.

Nunca utilice un polipasto que no funcione correctamente.

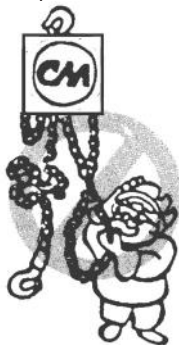
No utilice polipastos con eslabones rotos, deformados, desgastados excesivamente, corroídos o con intrusión de materiales extraños.

Engrase adecuadamente la cadena de carga.

No utilice ganchos doblados, desgastados o con la boca más abierta de lo normal. Si el cierre no cierra correctamente la boca del gancho no se deberá utilizar el polipasto.

Compruebe que la cadena esté limpia para que no se introduzca suciedad en el mecanismo del polipasto.

Compruebe el freno para que no se produzcan deslizamientos de la carga.

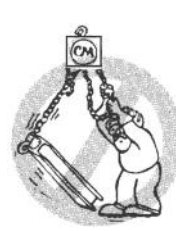
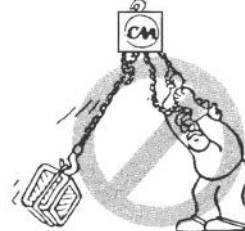


⚠️ ADVERTENCIA

NO TIRE EN ÁNGULO. ASEGÚRESE DE QUE EL POLIPASTO Y LA CARGA ESTÁN EN LÍNEA RECTA.

NO UTILICE LA CADENA COMO ESLINGA DE CARGA.

UTILICE EL POLIPASTO ADECUADAMENTE



Asegúrese de que el polipasto está firmemente sujeto en la parte superior del arco del gancho.

Asegúrese de que el polipasto y la carga están en línea recta. No tire en ángulo.

Asegúrese de que la carga queda enganchada correctamente. No coloque carga en la punta del gancho. No cargue el cierre del gancho. El gancho sirve para evitar que se suelte la carga si la cadena oscila.

No haga funcionar el polipasto apoyando la cabeza contra un objeto. Eleve la carga con suavidad. No la suba a tirones.



⚠️ ADVERTENCIA

NO ELEVE PERSONAS NI CARGAS SOBRE PERSONAS.

EXTREME SIEMPRE LAS PRECAUCIONES

No utilice el polipasto para transportar personas.

Asegúrese de que no haya nadie cerca al elevar una carga.

No quite, ni tape las leyendas de advertencia.

OBLIGACIONES DEL OPERARIO

LIMPIEZA

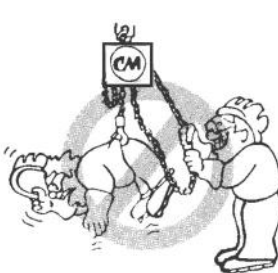
Mantenga limpios los polipastos de humedad, suciedad o polvo ya que afectarán a la seguridad o funcionamiento del equipo.

ENGRASE

Mantenga la cadena correctamente engrasada.

DESPUÉS DE UNA REPARACIÓN

Pruebe el polipasto antes de volver a ponerlo en funcionamiento.



ADVERTENCIA

El uso incorrecto de un polipasto puede crear situaciones de peligro potenciales que, en caso de no evitarse, podrían causar graves daños personales e incluso la muerte. Para evitar dichas situaciones:

1. **NO** ponga en funcionamiento un polipasto que funcione mal o sea defectuoso y cuyo funcionamiento no sea el habitual.
2. **NO** ponga en funcionamiento el polipasto hasta que no haya leído con detenimiento y comprendido el presente manual.
3. **NO** ponga en funcionamiento un polipasto modificado.
4. **NO** eleve o arrastre más carga que la especificada para el polipasto.
5. **NO** utilice un polipasto dañado o que no funcione correctamente.
6. **NO** utilice el polipasto si la cadena de carga está desgastada, dañada, torcida o doblada.
7. **NO** utilice el polipasto para elevar o transportar personas.
8. **NO** eleve carga por encima de personas y asegúrese que todas ellas permanezcan retiradas de la carga.
9. **NO** intente alargar la cadena de carga ni repararla en caso de que esté dañada.
10. Proteja la cadena de salpicaduras de soldadura o de otros contaminantes que puedan dañarla.
11. **NO** utilice la cadena de carga como si fuera una eslinga de carga ni rodee con la misma la mercancía para transportarla.
12. **NO** coloque todo el peso de la carga en la punta del gancho ni en el dispositivo de fijación del mismo.
13. **NO** coloque ningún tipo de carga hasta que la cadena de carga esté correctamente asentada sobre la polea.
14. **NO** coloque ningún tipo de carga si los rodamientos no permiten que el peso de la carga se distribuya por igual en todas las cadenas de soporte.
15. **NO** haga funcionar el polipasto más allá del límite de la trayectoria de la cadena de carga.
16. **NO** deje mercancía cargada en el polipasto sin haber tomado las precauciones de seguridad necesarias.
17. **NO** utilice la cadena de carga o los ganchos como toma de tierra.
18. **NO** permita que la cadena de carga o los ganchos entren en contacto con electrodos de soldadura electrificados.
19. **NO** retire ni oculte los símbolos y recomendaciones de advertencia del polipasto.
20. **NO** ponga en funcionamiento el polipasto hasta que no esté correctamente asegurado a un soporte.
21. **NO** ponga en funcionamiento el polipasto hasta que las eslingas de carga u otros dispositivos de carga autorizados no estén correctamente ajustados y asentados en el asiento del gancho.
22. **NO** ponga en funcionamiento un polipasto cuando los ganchos no estén alineados en línea recta en la dirección de la carga.
23. **NO** levante cargas que no estén equilibradas o cuyo sostenimiento no sea seguro.
24. **NO** ponga en funcionamiento el polipasto hasta que todas las personas estén lejos de la carga.
25. Informe del polipasto que presente un funcionamiento defectuoso o irregular y no lo utilice hasta que haya sido reparado.
26. **NO** ponga en funcionamiento un polipasto sin pegatinas ni placas de advertencia o bien, si las mismas son ilegibles.
27. Familiarícese con los controles de funcionamiento, procedimientos y advertencias.

PRECAUCION

El uso incorrecto de un polipasto puede crear situaciones de peligro potenciales que, en caso de no evitarse, podrían causar graves daños personales e incluso la muerte. Para evitar dichas situaciones, el operario debe:

1. Mantenerse de pie con firmeza o bien, asegurarse cuando vaya a poner en funcionamiento un polipasto.
2. Comprobar el funcionamiento del freno, deberá tensar el polipasto antes de proceder con la carga de la mercancía.
3. Utilizar el dispositivo de fijación de ganchos. Estos se utilizan para asegurar eslingas, cadenas, etc., en casos en los que la cadena esté algo destensada.
4. Asegurarse de que los dispositivos de fijación de ganchos están cerrados y no soportan de ninguna manera el peso de la carga.
5. Asegurarse de que la carga puede moverse libremente y retirar cualquier obstáculo que pueda interferir en la trayectoria de la misma.
6. Evitar el balanceo de la carga o los ganchos.
7. Inspeccionar el polipasto con regularidad, cambiar cualquier pieza dañada o desgastada y llevar a cabo los registros de mantenimiento adecuados.
8. Utilizar piezas de repuesto recomendadas por Columbus McKinnon en caso de realizar cualquier tipo de reparaciones en la unidad.
9. Engrasar la cadena tal y como se indica en el presente manual.
10. **SOLO** debe ponerlo en funcionamiento de forma manual.
11. **NO** permitir que más de un operario utilice la palanca al mismo tiempo. El uso por parte de más de un operario puede ocasionar problemas de sobrecarga en el polipasto.
12. **NO** distraerse mientras utiliza el polipasto.
13. **NO** deje que el polipasto roce ningún tipo de estructuras, objetos u otros polipastos cuando esté en funcionamiento.
14. **NO** realizar ningún tipo de ajuste o reparaciones en el polipasto a menos que dichos ajustes o reparaciones las realice personal cualificado.

Los polipastos están proyectados para uso general industrial para el movimiento de cargas dentro de su rango de capacidad de carga. Previamente a su instalación y puesta en funcionamiento, el usuario debería revisar la aplicación para detectar si existen condiciones de manejo inadecuadas o el entorno no es el adecuado.

INFORMACIÓN GENERAL DE SEGURIDAD

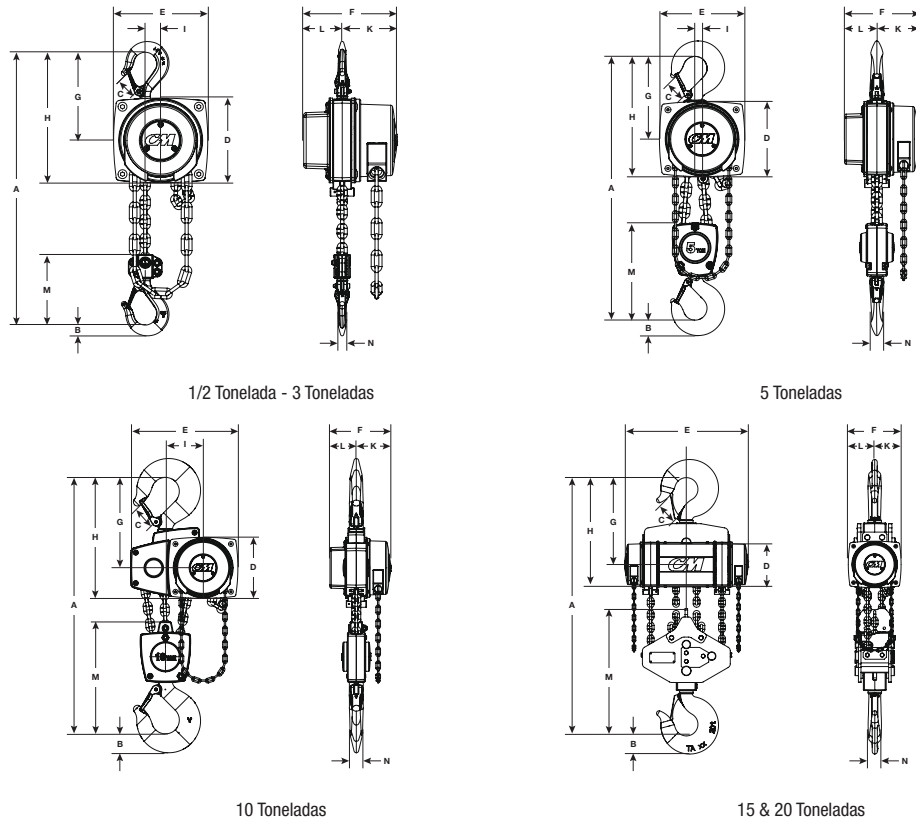
ENTORNO INADECUADO

No utilice los polipastos en lugares con vapores, gases o líquidos inflamables o cualquier otro combustible, polvo o fibras. No utilice el polipasto en ambientes altamente corrosivos, abrasivos, húmedos o en usos que impliquen exposición a temperaturas por inferiores a -12 o superiores a 55°C.

MOVIMIENTO DE CARGAS PELIGROSAS

El polipasto no está recomendado para elevar materiales que puedan causar daños graves en caso de soltarse. El levantamiento o movimiento de materiales que puedan explotar o causar contaminación radioactiva o química requieren elementos de seguridad adicionales que no están incorporados en éstos polipastos.

ESPECIFICACIONES



ESPAÑOL

Figura 1 – Especificaciones & Dimensiones

Código Prod.	Capacidad Toneladas (kg)	Atura		Peso lbs (kg)	Enrollado	Tracción de la cadena manual para elevar la carga nominal lbs. (kg)	Cadena manual reacondicionada para elevar la carga un pie - ft (m)	Dimensiones en pulgadas (mm)													
		ft	m					A	B	C	D	E	F	G	H	I	K	L	M	N	
5623A	1/2 (500)	10	3	21 (9)	1	44 (20)	30 (9.1)	11.811 (300)	0.669 (17)	0.945 (24)	5.236 (133)	5.827 (148)	5.827 (148)	5.472 (139)	8.110 (206)	0.945 (24)	2.402 (61)	3.425 (87)	4.331 (110)	0.551 (14)	
5624A		15	4.5	23 (10)																	
5625A		20	6	25 (11)																	
5651A		30	9	29 (13)																	
5632A		menos cadena		17 (8)																	
5626A	1 (1,000)	10	3	28 (13)	1	54 (24)	49 (14.9)	13.189 (335)	0.866 (22)	1.142 (29)	6.142 (156)	6.890 (175)	6.575 (167)	6.457 (164)	9.528 (242)	0.945 (24)	2.756 (70)	3.819 (97)	4.921 (125)	0.748 (19)	
5627A		15	4.5	31 (14)																	
5628A		20	6	34 (15)																	
5653A		30	9	40 (18)																	
5633A		menos cadena		23 (10)																	
5629A	2 (2000)	10	3	47 (21)	1	74 (34)	71 (21.6)	15.551 (395)	1.181 (30)	1.378 (35)	7.165 (182)	7.992 (203)	7.638 (194)	7.559 (192)	11.142 (283)	1.220 (31)	3.268 (83)	4.370 (111)	6.142 (156)	0.866 (22)	
5630A		15	4.5	52 (24)																	
5631A		20	6	57 (26)																	
5634A		30	9	65 (29)																	
5634A		menos cadena		36 (16)																	
5635A	3 (3,000)	10	3	75 (34)	1	92 (42)	87 (26)	20.472 (520)	1.496 (38)	1.575 (40)	8.661 (220)	9.843 (250)	8.622 (219)	8.858 (225)	13.189 (335)	1.339 (34)	3.740 (95)	4.882 (124)	7.008 (178)	1.181 (30)	
5636A		15	4.5	82 (37)																	
5637A		20	6	89 (40)																	
5638A		30	9	100 (45)																	
5638A		menos cadena		52 (24)																	
5639A	5 (5,000)	10	3	106 (48)	2	76 (34)	174 (53)	25.748 (654)	1.772 (45)	1.850 (47)	8.661 (220)	9.843 (250)	8.622 (219)	9.528 (242)	13.858 (352)	0.827 (21)	3.740 (95)	4.882 (124)	11.220 (285)	1.457 (37)	
5640A		15	4.5	121 (55)																	
5641A		20	6	136 (62)																	
5642A		30	9	156 (70)																	
5642A		menos cadena		74 (34)																	
5643A	10 (10,000)	10	3	217 (98)	3	102 (46)	261 (79.3)	32.480 (825)	2.677 (68)	2.677 (68)	8.661 (220)	15.079 (383)	8.622 (219)	12.835 (326)	17.165 (436)	5.354 (136)	3.740 (95)	4.882 (124)	15.787 (401)	1.969 (50)	
5644A		15	4.5	240 (109)																	
5645A		20	6	261 (118)																	
5646A		30	9	296 (134)																	
5646A		menos cadena		168 (76)																	
HU15000H10	15 (15,000)	10	3	455 (206)	6	2 x 76 (2 x 34)	522 (2 x 261) (159.1 (2 x 79.3))	43.543 (1106)	3.386 (86)	3.150 (80)	8.661 (220)	23.071 (586)	9.843 (250)	16.181 (411)	20.512 (521)	-	4.921 (125)	4.921 (125)	23.740 (603)	2.480 (63)	
HU15000H15		15	4.5	508 (230)																	
HU15000H20		20	6	554 (251)																	
HU15000H30		30	9	653 (296)																	
HU20000H10	20 (20,000)	10	3	455 (206)	6	2 x 102 (2 x 46)	522 (2 x 261) (159.1 (2 x 79.3))	43.543 (1106)	3.386 (86)	3.150 (80)	8.661 (220)	23.071 (586)	9.843 (250)	16.181 (411)	20.512 (521)	-	4.921 (125)	4.921 (125)	23.740 (603)	2.480 (63)	
HU20000H15		15	4.5	508 (230)																	
HU20000H20		20	6	554 (251)																	
HU20000H30		30	9	653 (296)																	

INFORMACIÓN GENERAL

El polipasto de cadena Hurricane 360 de CM® es una herramienta altamente versátil que puede ser usada en cualquier posición para tirar, elevar, arrastrar o estirar eficientemente. El armazón, tapas y palanca están hechos de acero estampado. Los engranajes son de acero tratado térmicamente. Los cojinetes de bola o bujes soportan la polea de elevación de acero tratado térmicamente. Los ganchos superior e inferior son de acero forjado estándar. Posee un freno de fricción seca sin trinquete ni palanca único que no poseen otros polipastos similares que proporciona un control positivo de la carga y que sujetará la carga en cualquier punto.

Es posible suministrar polipastos de cargas nominales de 1/2, 1, 2, 3, 5, 10, 15 Y 20 Tm. para los que servirá este manual. Es posible suministrar cadenas de elevación estándar de 3,0m, 4,6m, y 6,1m aunque también es posible suministrar cadenas más largas si se solicita. La cadena de acero chapado se suministra con una caída inferior a 0,6m de la altura de elevación del polipasto.

El polipasto Hurricane 360 de CM® accionado manualmente se ha construido de acuerdo a las especificaciones que se detallan en este manual y en el momento de su fabricación cumple con el estándar B30.16, "Overhead Hoists" ("Polipastos suspendidos") de la American Society of Mechanical Engineers (ASME, Sociedad americana de Ingenieros mecánicos). Si desea obtener una copia de este estándar, puede solicitarlo en: ASME Order Department, 22 Law Drive, Box 2300, Fairfield, NJ 07007-2300, Estados Unidos.

En este manual se proporciona la información necesaria para la instalación, funcionamiento y mantenimiento del polipasto Hurricane 360 de CM® y le ayudará a obtener el máximo rendimiento de forma económica y segura del mismo.

Antes de poner en funcionamiento el polipasto, estudie en profundidad el contenido de este manual. Si sigue los procedimientos recomendados de funcionamiento y mantenimiento el polipasto funcionará de forma segura y fiable durante mucho. Después de haber estudiado este manual, guárdelo para futuras referencias.

POLÍTICA DE CAMBIO/REPARACIONES DE CM®

Todos los polipastos Hurricane 360 de Columbus McKinnon (CM®) se han comprobado y sometido a pruebas de rendimiento antes de su envío. Si un polipasto que haya sido mantenido de la forma adecuada presentara problemas en su funcionamiento en un plazo inferior a un año contado a partir de la fecha de envío, debido a materiales o mano de obra defectuosos y haya sido constatado por CM®, se sustituirá o reemplazará la unidad sin ningún cargo. Esta política de reparación/cambio sólo será aplicable a los polipastos Hurricane 360 de CM® que hayan sido instalados, mantenidos y hayan funcionado del modo que se describe en este manual y se excluyen los polipastos que presenten un desgaste normal o aquellos que no se hayan instalado, funcionado o mantenido de forma incorrecta o por efecto de entornos de funcionamiento hostiles o que hayan sido reparados o modificados sin permiso.

Nos reservamos el derecho de cambiar el diseño o los materiales de construcción si consideramos que con ello se mejora el producto. La reparación o abuso de personas no autorizadas o el uso de piezas de repuesto que no sean originales de CM® anulará la garantía y podría desembocar en un funcionamiento peligroso de la unidad. Si desea obtener más información acerca de los Términos de venta, consulte Reconocimiento de compra que se encuentra en la parte posterior de este manual. Así mismo, podrá encontrar en la parte posterior de este manual las Limitación de garantía, vías y daños y Funcionamiento seguro e indemnización.

DESEMBALADO

Después de abrir la caja, inspeccione cuidadosamente que no exista ningún daño que pueda haber ocurrido durante el transporte. Compruebe que la carcasa no esté abollada ni rajado y que la cadena esté en perfecto estado. Los daños producidos durante el transporte deben ser reclamados al transportista.

⚠ ADVERTENCIA

Si se pone en funcionamiento un polipasto con daños externos visibles puede causar la caída de la carga y podrían producirse daños personales y/o a la propiedad graves.

PARA EVITARLO:

Compruebe si la unidad presenta daños externos evidentes antes de instalarla.

INSTALACIÓN

Antes de instalar el polipasto:

1. Calcule el peso de la carga que será elevada o movida y asegúrese de que no excede el límite de carga del polipasto.
2. Asegúrese que el soporte o eslinga al cual está sujeto el gancho superior es lo suficientemente resistente como para sostener varias veces el peso de la carga a ser elevada o movida. Asegúrese de que el polipasto está sólidamente suspendido por la parte más elevada del gancho superior y el cerrojo de seguridad está cerrado y no está en contacto con el soporte o eslinga.

⚠ ADVERTENCIA

Enganchar el polipasto en un soporte inadecuado puede ocasionar que el polipasto y la carga que soporta caigan y causen daños personales y/o materiales.

PARA EVITARLO:

Asegúrese de que la estructura tiene la suficiente resistencia para soportar varias veces el polipasto y su capacidad de carga.

3. La superficie en la cual se ha instalado el polipasto debe ser lo suficientemente amplia para que:
 - El operario pueda manejar la palanca.
 - El operario y cualquier otro personal permanezcan lejos de la carga todo el tiempo.
 - El operario pueda asentar perfectamente los pies.
 - Exista el suficiente espacio entre el cuerpo del polipasto y cualquier objeto. El cuerpo debe poder girar libremente sobre el gancho superior.

INSTRUCCIONES DE FUNCIONAMIENTO

Después de montarlo y antes de ponerlo en servicio compruebe que el polipasto funciona de adecuadamente. Para comprobarlo, tire de la cadena de mano como se indica.

⚠ ADVERTENCIA

Si no se utiliza adecuadamente, el polipasto puede causar daños

PARA EVITARLO:

Use sólo del modo que se indica. Lea todas las instrucciones antes de poner en servicio el polipasto Hurricane de CM® 360.

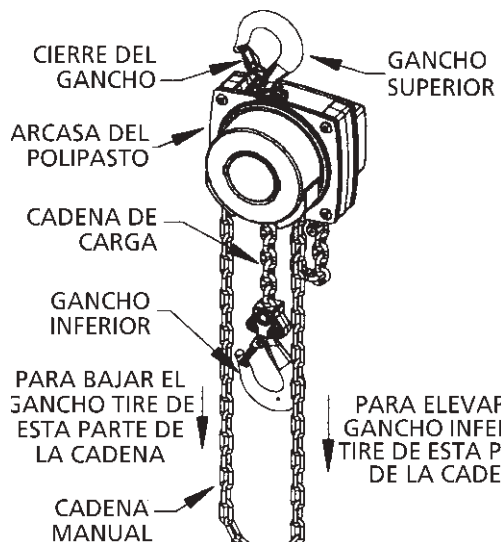


Figura 2 – Piezas principales del polipasto Hurricane 360

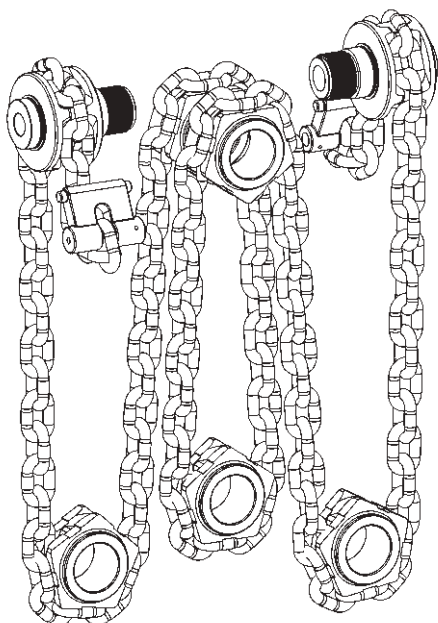


Figura 2A - Paso por la polea para el elevador de 20 toneladas

Ponga en funcionamiento el polipasto sin carga y, a continuación con una carga ligera de unos 23 Kgs para asegurarse de que funciona correctamente y de que el freno sujeta la carga al soltar la cadena manual. Para terminar, compruebe su funcionamiento con la carga nominal que se especifica en la placa de datos técnicos.

ASPECTOS GENERALES

1. El polipasto siempre debe colocarse para que eleve la carga en línea recta de gancho a gancho. El bastidor del polipasto nunca debe apoyarse en ningún tipo de objeto ya que puede doblarse el gancho o el bastidor y dañarse la unidad.
2. Cuando se prepare para elevar o mover una carga asegúrese de que los accesorios de ambos ganchos están firmemente asegurados en los asientos de los mismos. Evite la colocación de cargas descentradas de cualquier tipo y especialmente evite colocar la carga en el extremo del gancho. Así mismo, asegúrese de que la cadena cuelga recta (sin torcerse) desde el polipasto hasta el gancho inferior.
3. Cuando eleve la carga, hágalo sólo unos centímetros hasta que se desprege del suelo o soporte y compruebe que el freno sujeta la carga con firmeza y que los accesorios de sujeción de la carga están firmemente asegurados en los asientos de los ganchos. Siga elevando la carga sólo después de haberse asegurado de que no hay obstrucciones en la trayectoria de elevación de la carga.

4. No cargue más de la carga nominal especificada para el polipasto. La capacidad nominal se alcanza con el siguiente tiro de cadena manual:

Carga nominal del polipasto (Tm.)	Tiro cadena manual para elevar c.nominal (N)
1/2	44
1	54
2	74
3	92
5	76
10	102
15	2x76
20	2x102

Ya que el tiro de cadena manual puede aplicarlo una sola persona, el polipasto nunca debe accionarlo más de una persona al mismo tiempo. Este polipasto se equipa de una carga que limita el dispositivo. La presencia de este dispositivo no autoriza el uso de sobrecargas. Seleccione siempre un polipasto con una carga nominal en exceso de la carga que será movida. Si la rueda manual se desliza mientras que funciona, reduzca la carga o utilice una unidad de la capacidad de carga correcta.

NOTA:

El limitador de sobrecarga incorporado en este polipasto es eficaz solamente cuando la sobrecarga se está levantando o se está moviendo con la operación del rueda manual. No protegerá contra las sobrecargas aplicado de otra manera.

5. No enrolle la cadena de carga alrededor de la misma o permita que entre en contacto con el polipasto. Si lo hace se perderá el efecto de balanceo del gancho que podría provocar un enredo de la cadena y un atasco de la polea de elevación. La cadena puede dañarse en el gancho.
6. Manténganse alejado de la carga y evite mover la carga por encima de personas. Advierta al personal de que se dispone a mover una carga en dicha zona.
7. No deje una carga suspendida sin control.
8. No haga descender el gancho hasta tal punto que la cadena se tense en exceso entre la polea de elevación y el conector del extremo suelto.

⚠ ADVERTENCIA

Si no se acciona manualmente pueden producirse daños estructurales o desgaste prematuro que haga que se rompan piezas y se caiga la carga.

PARA EVITARLO:

Accione el polipasto Hurricane 360 de CM® manualmente.

9. No accione el bloque del gancho inferior en el bastidor del polipasto. Es posible que se dañe el bastidor y/o guía de la cadena.
10. El polipasto se ha diseñado para funcionar sólo en modo manual.
11. No lo utilice para elevar o trasladar a personas.
12. No deje que la carga se apoye contra el cierre del gancho. El cierre sirve para ayudar al gancho a mantenerse en su posición cuando la cadena se balancea al elevar la carga.
13. Nunca ponga en funcionamiento el polipasto cuando existan gases o vapores inflamables. El roce entre elementos metálicos puede producir chispas que los inflamen y causar un fuego o una explosión.
14. ¡PERMANEZCA ALERTA! Mire lo que está haciendo y use el sentido común. No utilice el polipasto cuando esté cansado, distraído o bajo los efectos de drogas, alcohol o medicamentos que le ocasionen una disminución de sus capacidades.

⚠ ADVERTENCIA

Si deja que la carga descansa contra el cierre del gancho y/o en la punta, la carga puede caerse.

PARA EVITARLO:

No deje que la carga descansa contra el cierre del gancho y/o en la punta. La carga debe descansar en el asiento del gancho.

MANTENIMIENTO

INSPECCIÓN

Para mantener un funcionamiento continuo y satisfactorio, el procedimiento de inspección debe iniciarse para que las piezas desgastadas o dañadas puedan ser reemplazadas antes de que sean inseguras. Los intervalos de inspección deben determinarse según el uso individual y se basan en el tipo de servicio al cual el polipasto está sujeto. La inspección de los polipastos se divide en dos: "frecuente" y "periódica".

Inspecciones frecuentes:

Estas inspecciones consisten normalmente en un examen visual realizado por el operario. Las revisiones frecuentes deben realizarse diariamente o antes de cada uso, y consisten en:

- Diariamente indicios de deslizamiento en el sistema de frenado.
- Revisión de la cadena de carga, engrase, desgaste, eslabones dañados o elementos extraños (consulte CADENA DE CARGA, en la página 6).

Cualquier deficiencia que se encuentre deberá corregirse antes de enviar el polipasto a un centro de servicio para su reparación.

Inspecciones periódicas:

Son inspecciones visuales externas realizadas por una persona designada que llevará un registro básico para una continua evaluación del estado del polipasto. La inspección periódica se realizará anualmente y, en casos de funcionamiento muy duro y continuado, se realizarán semestralmente.

Debido a la estructura del polipasto, será necesario desmontarlo parcialmente para realizar esta inspección. Las inspecciones periódicas incluirán los puntos descritos en Inspecciones frecuente y además se deberá controlar:

- Excesivo desgaste o alargamiento de la cadena (vea la página 5).
- Desgaste, rotura o deformaciones de piezas tales como las cabezas de los ganchos superior e inferior, pasador del gancho superior, guía de la cadena, polea, casquillos y cojinetes.
- Inspeccionar el desgaste en la punta de los trinquetes, cabezas de la rueda dentada y bolsillos de la rueda de elevación y la rueda manual.
- Tornillos, tuercas, pasadores o remaches perdidos o flojos.
- Inspección del desgaste de los componentes del freno, discos vidriados o contaminados y rayado del buje de fricción y el plato soporte. Si el grueso de la arandela de la fricción es inferior a 0,8mm debe ser substituido.
- Cambie la etiquetas de advertencia dañadas o deterioradas.
- Corrosión, alargamiento o rotura de muelles del freno.
- Los ganchos se deberían llevar a cabo al menos una vez al año pruebas con líquidos penetrantes, partículas magnéticas u otros métodos de detección de roturas si las condiciones externas indican que han tenido un uso anormal.

Cualquier deficiencia que se encuentre deberá corregirse antes de enviar el polipasto a un centro de servicio para su reparación. Así mismo, es posible que las condiciones externas muestren la necesidad de realizar una inspección más profunda que requiera el uso de una comprobación de tipo no-destructiva.

Cualquier pieza que no sea reparable, deberá cambiarse por piezas nuevas de CM® antes de enviar la unidad a un centro de reparación para su servicio. Es muy importante destruir las piezas no reparables de la forma adecuada para evitar un uso futuro de las mismas.

Inspección del gancho

Los ganchos dañados por elementos químicos, deformaciones o roturas o que estén retorcidos, con apertura excesiva, asiento desgastado deben ser reemplazados. También deben ser reemplazados los ganchos que se han abierto hasta el extremo de que el cerrojo de seguridad no cierra en la punta del mismo. Cualquier gancho que esté retorcido o tenga una apertura excesiva indica que se ha sobrecargado el polipasto. Otras partes importantes que sustenten la carga deben ser revisados por si tienen daños.

Compruebe que el cerrojo de seguridad no está dañado o doblado y que funciona correctamente. El muelle debería tener la suficiente tensión para mantenerse fuertemente contra la punta del gancho y permitir que el muelle regrese a la punta cuando se suelte. Si el cierre

de seguridad no funciona correctamente, reemplácelo.

Cambie el gancho si la apertura es superior a "C", o si el grosor en "A", "B", "D" o "E" es inferior a las dimensiones que se muestran en la lista del cuadro (vea la figura 3, página 4)

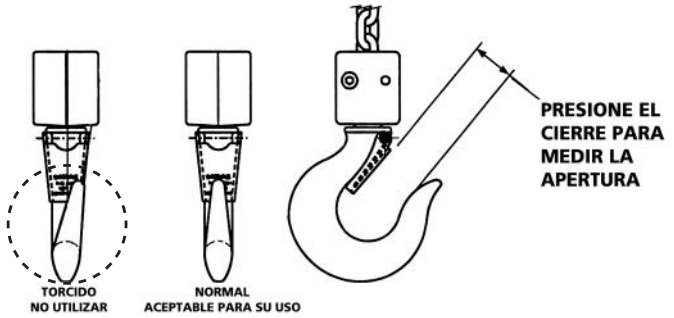


Figura 3 – Inspección del gancho

Capacidad polipasto (Tm.)	Dimensiones críticas del gancho (mm)				
	A	B	C	D	E
1/2	15.3	12.6	26.4	9.9	5.4
1	19.8	17.1	31.9	13.5	5.8
2	27.0	19.8	38.5	17.0	8.1
3	34.2	27.0	44.0	19.5	8.9
5	40.5	33.3	51.7	28.0	12.0
10	61.2	45.0	74.8	32.2	17.0
15	3.012	1.984	2.267	1.605	0.474
20	3.012	1.984	2.267	1.605	0.474

CADENA DE CARGA

La cadena debe deslizarse suavemente dentro y fuera del polipasto. Si la cadena se atasca, salta o hace mucho ruido engrase y lubríquela (vea más abajo). Si el problema continúa inspeccione la cadena y sus uniones para detectar desgastes, deformaciones u otros daños.

Inspección de la cadena

Primero limpie la cadena con un disolvente no cáustico ni ácido y revise eslabón a eslabón para detectar melladuras, acanaladuras, eslabones retorcidos, salpicaduras de soldadura, agujeros de corrosión, estrías (diminutas líneas paralelas), roturas en la soldadura, desgastes y alargamientos. Cualquier cadena con alguno de esos defectos debe ser reemplazada.

Afloje la porción de cadena que pasa normalmente por encima de la rueda de elevación. Examine la zona entre eslabones en el punto en el que se produzca más desgaste (pulido). Mida y registre el diámetro de material en este punto del eslabón y, a continuación, mida el diámetro de material en la misma zona que no pase sobre la rueda de elevación (use el eslabón adyacente al conector del extremo suelto). Compare estas dos medidas. Si el diámetro del material del eslabón desgastado es de 0,254 mm, o superior, al diámetro de material del eslabón desgastado, deberá cambiar la cadena.

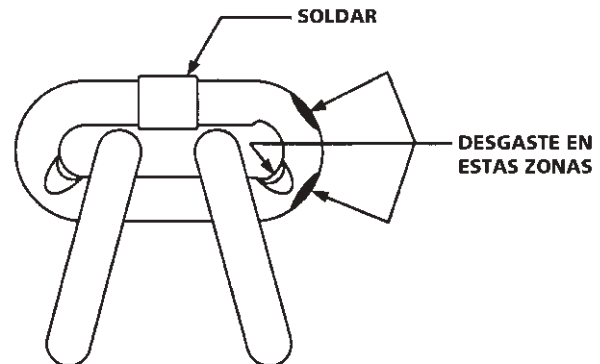


Figura 4 – Inspección de la cadena

MANTENIMIENTO (CONTINUACIÓN)

También revise si la cadena ha estirado utilizando un pie de rey calibrado como se muestra en la figura 5. Elija una porción de la cadena no utilizada o alargada (habitualmente la punta suelta) y mida y registre la longitud de aproximadamente 11 eslabones. Mida y registre la misma longitud de cadena en la zona desgastada de la misma. Si el resultado (la cantidad de estiramiento y desgaste) es superior a 3,683 mm deberá cambiarse la cadena.

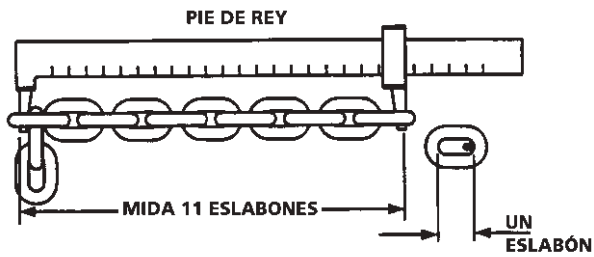


Figura 5 - Inspección de la cadena

Utilice únicamente un calibre de "filo de cuchillo" para eliminar la posibilidad de una falsa lectura por no medir la longitud correcta del eslabón.

ADVERTENCIA

Si se utiliza una cadena de carga distinta de la de CM® es posible que se atasque en el polipasto y/o se parta y caiga la carga.

PARA EVITARLO:

Debido a las propiedades físicas y requisitos de tamaño, use sólo la cadena de carga suministrada por CM® en el polipasto Hurricane 360 de CM®.

Note que una cadena desgastada puede indicar un desgaste en los componentes del polipasto. Por ésta razón, el cuerpo del polipasto, separador y rueda de elevación deben ser examinados para detectar desgastes y reemplazarse si es necesario cuando se reemplace la cadena (Vea DESMONTAJE Y MONTAJE más adelante).

La cadena de carga está especialmente tratada térmicamente y endurecida y nunca debe ser reparada.

IMPORTANTE: No utilice una cadena reemplazada para elevar o tirar de cargas. La cadena puede romperse repentinamente sin deformación visual aparente. Por ésta razón, corte una cadena reemplazada en trozos pequeños para evitar su posterior uso.

NOTA: El método descrito anteriormente para la inspección de la cadena de carga, deberá utilizarse para inspeccionar el estiramiento y desgaste de la cadena de tiro.

Lubricación de la cadena

Una pequeña cantidad de lubricante aumentará en gran medida la vida de la misma. No permita que la cadena funcione seca. Limpie y engrásela a intervalos regulares con Lubriplate® Bar and Chain Oil 10-R (Fiske Bros. Refining Co.) o un lubricante similar. Habitualmente, una limpieza y engrase semanal es suficiente, pero en condiciones de alto calor y suciedad puede ser necesario limpiar la cadena al menos una vez al día y engrasarla varias veces entre cada limpieza.

Cuando engrase la cadena, aplique suficiente lubricante para obtener un movimiento natural y una total cobertura, especialmente en la zona entre eslabones.

ADVERTENCIA

Los aceites de motor utilizados contienen componentes cancerígenos.

PARA EVITARLO:

Nunca use aceites de motor como lubricante para la cadena. Utilice únicamente Lubriplate® Bar and Chain Oil 10-R para engrasar la cadena.

LUBRICACIÓN

Los polipastos no requieren una lubricación adicional excepto cuando han sido desmontados para su limpieza o reparación.

IMPORTANTE: El freno está diseñado para trabajar en seco. No use grasa o aceite en las superficies del freno. Cuando se engrasan piezas adyacentes al freno no use una cantidad excesiva de lubricante que podría rezumar hasta las superficies del mismo.

ADVERTENCIA

Utilizar grasa o lubricante en las superficies del freno puede ocasionar deslizamientos del mismo y pérdida del control de la carga que puede resultar en daños propios y/o materiales

PARA EVITARLO:

No use ninguna grasa o lubricante en las superficies del freno. El freno está diseñado para trabajar en seco.

En caso de que el polipasto se desarme para servicio, reparaciones o inspección hay que quitar toda la grasa, limpiar completamente y reemplazar con 29,5 ml aproximadamente de grasa Poliplex 2 (Century Lubricants Co.) o lubricante similar a la engranajes, rodillos del cojinete de la rueda de elevación, exterior del eje del piñón, superficies de casquillos del cabezal y superficie de los casquillos de la tapa de engranajes.

IMPORTANTE: Para asegurar una larga vida y las máximas prestaciones, asegúrese de engrasar las diferentes partes del polipasto especificadas anteriormente. Si lo desea, puede adquirir dichos lubricantes en CM® (vea la Figura 8, en la página 8).

CAMBIO DE LA CADENA DE CARGA

Para cambiar la cadena de carga quite el bloque del gancho inferior (656-17) de la cadena. Desconecte la cadena del conector del extremo suelto (656-7) y accione el polipasto en la dirección de descenso para sacar la cadena fuera del polipasto. Meta un trozo de cable flexible por arriba, por encima de la rueda de elevación. Sujete el cable a la nueva cadena de carga para que ésta se introduzca por el centro del bastidor del polipasto. Coloque la cadena para que el primer eslabón que enganche la rueda de elevación sea un eslabón en vertical y de este modo todos los cordones de soldadura de los eslabones no rocen la rueda de elevación. Tire del cable hasta que la cadena enganche la rueda de elevación. Gire la rueda hasta que la cadena salga por fuera del polipasto, por el lado del extremo suelto. Sujete la cadena al conector del extremo suelto y sujete el bloque del gancho inferior para que el gancho inferior quede directamente debajo del gancho superior.

ARMADO Y DESARMADO

La lista de piezas y la vista explotada en las páginas 12 y 13 muestran la disposición general y el nombre de las piezas del polipasto de cadena manual CM® Hurricane 360. Se deben usar cuando se desarmen y rearmen los polipastos, de tal manera que todas las piezas queden debidamente instaladas.

- Para inspeccionar o reemplazar el freno del disco de carga, es necesario desarmar parcialmente el polipasto. Retire la tapa del volante manual (656-36) y el soporte de la cubierta del volante (656-35). Levante la cubierta del volante manual (656-34A) y deslícela hacia abajo por la cadena manual (656-31). Levante la cadena manual de las cavidades del volante manual (656-27). Retire la chaveta (656-33), la tuerca almenada (656-30) y la arandela (656-29) del eje impulsor (656-10). Retire el conjunto del embrague de sobrecarga del volante manual girando el volante (656-27) en sentido contrahorario. Inspeccione la maza del freno del volante (626-22) y reemplácela si la superficie de fricción está demasiado raspada (vea la Sección 3, CONJUNTO DEL EMBRAGUE DE SOBRECARGA DEL VOLANTE MANUAL). Deslice el disco del freno delantero (656-26), el conjunto del disco de matraca (656-21) y el disco del freno trasero (656-26) del disco de presión (656-20). Quite el anillo retenedor (656-41) y quite el disco de presión (656-20) girándolo en sentido contrahorario. Inspeccione ambos discos del freno (656-26) y reemplácelos si encuentra un desgaste excesivo, raspones, vidriado o contaminación. Si el disco del freno está desgastado hasta llegar al espesor siguiente, se requiere su reemplazo:

Capacidad	Espesor mín. (mm)
1/2 -Ton, 1-Ton & 2-Ton	.043
3-Ton, 5-Ton & 10-Ton	.063
15-Ton, 20-Ton	.063

Inspeccione las superficies de fricción del conjunto del disco de matraca (656-21) y el disco de presión (656-20) y reemplace si están excesivamente raspados.

Después de inspeccionar o reemplazar el disco del freno, rearme el polipasto siguiendo el orden inverso al señalado anteriormente.

MANTENIMIENTO (CONTINUACIÓN)

ESPAÑOL

- Para inspeccionar o reemplazar el volante de elevación, la guía de cadena o el desferrador, es necesario desarmar el polipasto. Quite la cadena de carga (Vea REEMPLAZO DE LA CADENA DE CARGA, arriba) y luego quite la tapa del volante manual (656-36) y el soporte de la cubierta del volante (656-35). Levante la cubierta del volante manual (656-34A) y deslícela hacia abajo por la cadena manual (656-31). Levante la cadena manual de las cavidades del volante manual (656-27). Retire la chaveta (656-33), la tuerca almenada (656-30) y la arandela (656-29) del eje impulsor (656-10). Retire el conjunto del embrague de sobrecarga del volante manual girando el volante (656-27) en sentido contrahorario. Deslice el disco del freno delantero (656-26), el conjunto del disco de matraca (656-21) y el disco del freno trasero (656-26) del disco de presión (656-20). Quite el anillo retenedor (656-41) y luego quite el disco de presión (656-20) girándolo en sentido contrahorario. Quite la placa lateral del volante manual (656-9), deslízandola sobre el eje impulsor (656-10). Quite el desferrador (656-6) y la guía de cadena (656-5). Examine el desferrador, la guía de cadena, el volante de elevación (656-8) y el conector de extremo suelto (656-7) para ver si están gastados y dañados.

Si el desferrador, la guía de cadena y/o el conector de extremo suelto están desgastados o dañados, se deben reemplazar. Si el volante de elevación no está desgastado ni dañado, vuelva a armar el polipasto invirtiendo el orden señalado anteriormente. Si se debe reemplazar el volante de elevación, siga desarmando el polipasto.

NOTA: Se deben seguir dos puntos de precaución al desarmar y armar los engranajes:

- Los rodillos sueltos se usan en diversos sitios en algunas unidades. Debe tener cuidado de no perderlos ni extraviarlos.
- Si desea una operación adecuada, debe instalar la cantidad correcta de rodillos en los puntos de rotación. La aplicación de grasa en los rodillos ayudará a mantenerlos en su posición durante el armado.

Retire la cubierta del engranaje (656-1), las cubiertas de extremo (656-4) y los engranajes (656-12A y 656-12B). Quite el eje impulsor (656-10) deslizándolo hacia afuera, y retire el anillo de bloqueo (656-11B). Quite la arandela (656-11A) y el engranaje del volante de elevación (656-11). Quite el volante de elevación (656-8) y reemplácelo. El volante de elevación (656-8) podría requerir que se presionen los cojinetes del mismo. Revise los engranajes y otras piezas para ver si tienen desgaste excesivo, grietas y distorsión. Reemplace las piezas según sea necesario y luego rearme la unidad en el orden inverso en el que se desarmó. Instale la cadena de carga según la sección del manual "REEMPLAZO DE LA CADENA DE CARGA", anterior. Después de que el polipasto esté totalmente rearmado, debe probarse para ver su funcionamiento adecuado (vea PRUEBAS, en la página 8).

- CONJUNTO DEL EMBRAGUE DE SOBRECARGA DEL VOLANTE MANUAL:** Para inspeccionar o reemplazar el conjunto del embrague de sobrecarga del volante manual, es necesario desarmar parcialmente el polipasto. Retire la tapa del volante manual (656-36) y el soporte de la cubierta del volante (656-35). Levante la cubierta del volante manual (656-34A) y deslícela hacia abajo por la cadena manual (656-31). Levante la cadena manual de las cavidades del volante manual (656-27). Retire la chaveta (656-33), la tuerca almenada (656-30) y la arandela (656-29) del eje impulsor (656-10). Retire el conjunto del embrague de sobrecarga del volante manual girando el volante (656-27) en sentido contrahorario. Use la llave de dados (656-45, disponible en CM Corp.) para quitar la tuerca ranurada (656-25) de la maza del freno del volante de mano (626-22). Deslice la arandela de resorte Belleville (656-24), la placa de presión (656-23), el disco del freno delantero (656-26), el volante manual (656-27) y el disco del freno trasero (656-26) de la maza del freno del volante manual (626-22). Inspeccione ambos discos del freno (656-26) y reemplácelos si encuentra un desgaste excesivo, raspones, vidriado o contaminación. Si el disco del freno está desgastado hasta llegar al espesor siguiente, se requiere su reemplazo:

Capacidad	Espesor mín. (mm)
1/2 -Ton, 1-Ton y 2-Ton	1.1
3-Ton, 5-Ton y 10-Ton	1.6

Inspeccione las superficies de fricción de la placa de presión (656-23), el volante manual (656-27) y la maza del freno del volante (626-22), y reemplace si está raspada excesivamente.

Reemplace las piezas según sea necesario y luego rearme la unidad en el orden inverso en el que se desarmó. Una vez que haya armado el embrague de sobrecarga del volante manual, apriete la tuerca ranurada (656-25) con la llave de dados (656-45, disponible en CM Corp.) a la siguiente especificación de torque.

Capacidad	Torque (Nm)
1/2-Ton	31
1-Ton	71
2-Ton	106
3-Ton	128
5-Ton	106
10-Ton	142
15-Ton	106
20-Ton	142

Estos valores de torque configuran al embrague de sobrecarga del volante manual aproximadamente a 125% de su capacidad nominal. Este ajuste debe verificarse con el embrague de sobrecarga del volante manual armado en el polipasto (vea AJUSTE DEL LIMPIADOR DE CARGA).

- Para inspeccionar o reemplazar el trinquete o el resorte de trinquete, es necesario desarmar parcialmente al polipasto. Retire la tapa del volante manual (656-36) y el soporte de la cubierta del volante (656-35). Levante la cubierta del volante manual (656-34A) y deslícela hacia abajo por la cadena manual (656-31). Levante la cadena manual de las cavidades del volante manual (656-27). Retire la chaveta (656-33), la tuerca almenada (656-30) y la arandela (656-29) del eje impulsor (656-10). Retire el conjunto del embrague de sobrecarga del volante manual girando el volante (656-27) en sentido contrahorario. Quite el anillo retenedor (656-42), el trinquete (656-43), y el resorte de trinquete (656-44) del conjunto de la placa lateral del volante manual (656-9). Inspeccione el trinquete (656-43) y el resorte de trinquete (656-43) por si está desgastado. Si lo está, reemplácelo. Reemplace las piezas según sea necesario y luego rearme la unidad en el orden inverso en el que se desarmó. Después de que el polipasto esté totalmente rearmado, debe probarse para ver su funcionamiento adecuado (vea PRUEBAS, en la página 8).
- Para reemplazar el pestillo de gancho, esmerile la cabeza del remache y extráigalo. Quite y deseche el pestillo y el resorte. Fije el nuevo pestillo y resorte usando la chaveta incluida en el juego del pestillo.

AJUSTE DEL LIMITADOR DE CARGA

Para ajustar el limitador de carga:

- Quite el polipasto de la estructura de soporte y extiéndala sobre una superficie de trabajo plana con el volante manual hacia arriba.
- Quite los tres tornillos que aseguran la tapa central de plástico y quite la tapa (656-36) de la cubierta del volante manual (656-34A).
- Bloquee la cadena de carga insertando un desarmador o chaveta por la cadena de carga, justo debajo del bastidor del polipasto. Opere el volante manual hacia arriba para quitar la holgura de la cadena de carga cerrando y bloqueando el freno.
- Cambie el ajuste del limitador de carga apretando la tuerca de ranura (656-25) con la llave de dados (656-45, disponible en CM Corp.) para aumentar el ajuste o aflojando la tuerca de ranura (656-25) para reducir el ajuste.
- Realice las pruebas de carga requeridas después del ajuste. (Vea PRUEBAS en la página 8). Si es necesario, revise el ajuste. **NOTA:** El polipasto no debe poder levantar 150% de la capacidad de carga nominal si el limitador de carga se ha ajustado adecuadamente.
- Reemplace el tapón central (656-36) en la cubierta del volante manual (656-34A).

MANTENIMIENTO (CONTINUACIÓN)

LUBRICACIÓN

Si desarma el polipasto para servicio, reparación o inspección, quite y limpie la grasa existente de la unidad y reemplace aproximadamente con 1 onza de grasa Poliplex 2 (Century Lubricants Co.) o un lubricante equivalente en la superficie exterior del eje de impulso, los engranajes, la rosca interna de la maza del freno, la superficie de los bujes del volante de elevación (unidad de 1/2 ton), los bujes en la placa lateral del engranaje y la cubierta de engranajes, las superficies internas y externas de los bujes del volante manual y en el borde de la cubierta del volante manual.

ENGRANAJES

Los engranajes (656-12A y 656-12B) no tienen que ser temporizados y, como resultado, no es necesario orientarlos en una posición específica durante el armado. Sin embargo, para la operación adecuada de las unidades de 1/2, 1, 3, 5 y 10 ton, se debe usar un engranaje marcado como "A" y un engranaje marcado como "B".

MANTENIMIENTO PREVENTIVO

Adicionalmente a los procedimientos de inspección, se debería establecer un programa de mantenimiento para alargar la vida útil del polipasto y mantener permanentemente su fiabilidad y funcionamiento seguro. El programa debería incluir las inspecciones periódicas con una especial atención a la lubricación de los diversos componentes utilizando los lubricantes adecuados (Vea la Figura 8).

COMPROBACIÓN

Antes de usar por primera vez el polipasto, ya sea nuevo o uno reparado o tras largos periodos de inactividad, será necesario probarlos antes de ponerlos en servicio.

Compruebe la unidad, en primer lugar, sin carga y a continuación con una carga ligera (46 Kg.) para asegurarse de que funciona de la manera

correcta y de que el freno sujeta la carga al soltar la cadena manual. A continuación pruebe la unidad a 125% de su capacidad nominal.

Así mismo, en polipastos en los que se hayan cambiado las piezas que sustentan la carga deberán comprobarse también a un 125% de su capacidad nominal bajo la supervisión de una persona designada al efecto que deberá elaborar un informe escrito como registro.

NOTA: Porque este polipasto se equipa de una carga que limita el dispositivo que el deslizarse ocasional de la rueda manual puede ocurrir al probar con 125 por ciento de carga nominal.

NOTA: Si desea obtener información adicional sobre la Inspección y Comprobación, consulte el estándar B30.16 de la ASME, "Overhead Hoists", que podrá obtener en:

ASME Order Department 22 Law Drive, Box 2300 Fairfield, NJ 07007-2300 Estados Unidos.

PIEZAS DE RECAMBIO RECOMENDADAS

Kit de garra	Kit del pestillo superior
Kit de trinquete	Kit del pestillo inferior
Kit de estructura del gancho superior	Cadena de carga
Kit de estructura del gancho inferior	Cadena manual

ADVERTENCIA

La alteración o modificación del equipo y el uso de piezas distintas de las piezas de repuesto indicadas en el manual de CM Hurricane 360 pueden dar lugar a un funcionamiento peligroso y lesiones.

PARA EVITAR LESIONES:

No altere ni modifique el equipo. Utilice solo piezas de repuesto suministradas por CM Hurricane 360.

INFORME DEL INSPECTOR

ART.	OBSERVACIONES (LISTAR DEFICIENCIAS Y ACCIONES RECOMENDADAS)		
Firma inspector	Fecha inspección	Aprobado por	Fecha

Figura 6 – Informe de inspección recomendado

PROGRAMA DE LUBRICACIÓN RECOMENDADO PARA LOS POLIPASTOS Hurricane 360 de CM® Y POLIPASTOS MANUALES*

Nº REF (VEA PÁGS. 11 Y 12)	COMPONENTE	TIPO DE LUBRICANTE	** Nº PEDIDO PIEZA	TIPO DE SERVICIO Y FRECUENCIA DE LA LUBRICACIÓN		
				FUERTE	NORMAL	INFRECUENTE
656-28	Cadena carga	Aceite Lubriplate® Bar and Chain #10-R	28619 (lata 3,8 L)	Diario	Semanal	Mensual
656-11 656-12 656-13 656-17	Engranajes y superficies cojinetes de ruedas de ganchos superior e inferior	Poliplex 2	40630 (lata 0,45 Kg)	Al desmontar el polipasto para limpieza o reparaciones		

* Éste programa de lubricación se basa en el funcionamiento de un polipasto en condiciones ambientales normales. Los polipastos que trabajen en atmósferas excesivamente calurosas, corrosivas, abrasivas, etc., deberán ser lubricados más frecuentemente.

** Vea la página 11, INSTRUCCIONES PARA PEDIDOS.

Figura 7 – Programa de lubricación recomendado

MANTENIMIENTO (CONTINUACIÓN)

LISTA DE COMPROBACIÓN DE INSPECCIÓN Y MANTENIMIENTO POLIPASTOS MANUALES DE PALANCA

Tipo de polipasto _____ Capacidad (Toneladas) _____
 Localización _____ Fecha de instalación inicial _____
 Fabricante _____ Numero de serie del fabricante _____

Elemento	Frecuencia de la inspección		Posibles deficiencias	OK	Acciones requeridas
	Frecuente	Periódica			
	Diaria	c/3 meses			
Mecanismo del freno	*	*	Deslizamiento o desplazamiento excesivo. Desgaste, acristalamiento o discos contaminados. Grosor del arandela de la fricción inferior a 0,8mm.		
Rueda manual	*	*	Se atasca y no se mueve libremente.		
Cadena de carga	*	*	Lubricación inadecuada, desgaste o alargamientos, roturas, eslabones torcidos o deter., corroidos o atascados con materiales extraños.		
Ganchos	*	*	Apertura excesiva de la garganta, doblados más de 100, cierre dañado o no operativo, daños químicos. Roturas (use método de líquidos penetrantes, magnéticos u otros métodos de detección adecuados anualmente).		
Bloque del gancho superior e inferior pasador gancho superior, guía de la cadena, casquillos, engranajes, eje de dirección, cubo del freno y placa del freno		*	Corrosión, roturas, desalineación, desgaste excesivo, o acumulación de materiales extraños.		
Punta de la rueda de transmisión topes de rueda manual orejas del cubo del freno		*	Corrosión, desalineación, desgaste excesivo o acumulación de materiales extraños.		
Bolsillos de la rueda de elevación placas laterales y separador		*	Corrosión, desalineación, desgaste excesivo o acumulación de materiales extraños.		
Tuercas, tornillos, pasadores y p. partidos		*	Roturas, doblamientos, sueltos, roscas pasadas.		
Muelle del freno		*	Corrosión, alargamiento o rotura.		
Conector extremo suelto		*	Pérdida, rotura, no asegurado a la cadena, colocado incorrectamente.		
Placa de datos técnicos, etiquetas y tubo de advertencia		*	Perdidos, dañados o ilegibles.		
NOTA: Si desea obtener más información, consulte las secciones Inspección y Mantenimiento de este manual					

FRECUENCIA DE LA INSPECCIÓN

Frecuente - Indica que los elementos requieren una inspección diaria o antes de cada uso. Estas inspecciones deben ser llevadas a cabo por el operario si está designado previamente para ello.

Periódica - Indica que los elementos requieren una inspección cada tres meses. Las inspecciones deben ser llevadas a cabo por o bajo la dirección de una persona designada previamente para ello. El periodo exacto de inspección dependerá de la frecuencia y tipo de uso. La determinación de este periodo se basará en la experiencia del usuario. Se recomienda que el usuario comience con inspección trimestral y extienda el periodo a semianual o anual basándose en las experiencias trimestrales.

NOTE: Esta lista de inspección y mantenimiento está de acuerdo con nuestra interpretación de los requerimientos de la "Safety Standard for Overhead Hoists" (Estandar de seguridad para polipastos suspendidos) ASME B30.16. Es, sin embargo, responsabilidad del empresario/usuario interpretar y adherirse a los requerimientos aplicables para este estándar de seguridad.

Figura 8 – Lista de comprobación de mantenimiento e inspección recomendada

CUADRO PARA SOLUCIÓN DE PROBLEMAS

Síntoma	Causa/s posibles	Acciones correctivas
1. Dureza de funcionamiento del polipasto en cualquier dirección.	<ol style="list-style-type: none"> 1. La cadena de carga está desgastada y se atasca entre el rodillo de la cadena y la rueda de elevación. 2. Cadena de carga mohosa, corroída u obstruida con elementos extraños tales como cemento o barro. 3. Cadena de carga dañada. 4. Rueda de elevación atascada con elementos extraños que provocan una unión entre la rueda de elevación y la guía de la cadena. 5. Cadena manual desgastada que se atasca entre la rueda manual y la cubierta. 6. Rueda manual atascada o desgastada en exceso que hace que la cadena se atasca entre la cubierta y la rueda manual. 7. Rueda de elevación retorcida o doblada - Dientes de engranajes doblados. 	<ol style="list-style-type: none"> 1. Compruebe la cadena, (Vea la página 7) y cámbiela si el desgaste es excesivo. 2. Limpie la cadena con un pulimento o utilizando un disolvente no cáustico ni ácido. Compruebe que la cadena no tenga eslabones dañados ni doblados. Lubrique con aceite Lubriplate® Bar and Chain Oil 10-R (Fiske Bros. Refining Co.) o un lubricante similar. 3. Busque si hay eslabones torcidos, desgastados o dañados y cámbielos. 4. Limpie los bolsillos y cámbielos si están desgastados. 5. Compruebe la cadena (vea la página 5). 6. Limpie los bolsillos y cámbielos si están desgastados. 7. Se ha aplicado una sobrecarga. Reemplace las partes dañadas
2. Dureza de funcionamiento del polipasto hacia abajo.	<ol style="list-style-type: none"> 1. Piezas del freno corroidas u obstrucciones con materiales extraños. 2. El freno no está correctamente ajustado 3. Atasco de cadena 	<ol style="list-style-type: none"> 1. Desmunte el freno y límpielo cuidadosamente (con un trapo, no mojándolo con un disolvente). Cambie los discos si están demasiado gomosos, desgastados o rayados. Mantenga los discos y la superficie del freno secas y limpias. 2. Ajuste le freno del modo que se indica en la p. 7. 3. Vea Arts. 1A, 1B y 1C.
3. Dureza de funcionamiento del polipasto hacia arriba.	<ol style="list-style-type: none"> 1. asco de cadena. 	<ol style="list-style-type: none"> 1. Vea Arts. 1A, 1B y 1C.
4. El polipasto no funciona en ninguna dirección.	<ol style="list-style-type: none"> 1. Rueda de transmisión o tope en rueda manual rotos 2. Engranajes atascados 	<ol style="list-style-type: none"> 1. Cambie las piezas rotas 2. Compruebe si los dientes estan sucios
5. El polipasto no desciende.	<ol style="list-style-type: none"> 1. Freno bloqueado por cuasa de una aplicación brusca de la carga o por haber retirado la carga con otros medios distintos a los de la unidad cuando está en descenso 2. Atasco de cadena 3. Gancho inferior abajo del todo. Cadena de carga compeltamente extendida 	<ol style="list-style-type: none"> 1. Cuando el polipasto esté cargado mantenga la cadena tensada, tire con cuidado de la cadena manual en la dirección de descenso para desflojar el freno 2. Vea Arts. 1A, 1B y 1C 3. Cadena tensa entre el conector del extrmeo suelto y la rueda de elevación. Accine el polipasto sólo hacia arriba.
6. El polipasto no funciona en la dirección de subida.	<ol style="list-style-type: none"> 1. Atasco de cadena 2. Sobrecarga 	<ol style="list-style-type: none"> 1. Vea Arts. 1A, 1B y 1C. 2. Si la rueda manual se desliza mientras que funciona, reduzca la carga o utilice una unidad de la capacidad de carga correcta.
7. El polipasto no mantiene la carga elevada.	<ol style="list-style-type: none"> 1. Gancho inferior o lateral de carga de cadena en el lado equivocado de la rueda de elevación 2. Freno ajustado incorrectamente 3. Rueda de transmisión o tope en rueda manual rotos 4. Piezas del freno rotas 5. Superficies de fricción del freno corroidas, sucias o con exceso de grasa 	<ol style="list-style-type: none"> 1. El gancho inferior debe estar en el mismo lado que la rueda de elevación al igualque el gancho superior 2. Ajuste el freno del modo que se indica en la página 7 3. Vea Art. 4A 4. Cambie las piezas necesarias del freno 5. Vea Art. 2A

LISTADO DE PIEZAS DE REPUESTO 1/2 TONNE - 10 TONNE

INSTRUCCIONES DE PEDIDO: Todos los pedidos de piezas de repuesto deben ir acompañados de la información siguiente.

1. Carga nominal del polipasto indicada en la placa de datos.
2. Número de serie del polipasto estampado en la placa de datos.
3. Longitud de elevación.
4. Número de clave de la pieza que figura en la lista de piezas.
5. Número de piezas necesarias.
6. Nombre de la pieza tal como figura en la lista de piezas.
7. Número de referencia de la pieza tal como figura en la lista de piezas.

N° de referencia	Número de artículo	Descripción	Cant.
360-0001		Kit de engranaje 360 0.5T	
-	656-11	Engranaje de la rueda de elevación	1
-	656-11A	Arandela	1
-	656-11B	Anillo de ubicación	2
-	656-12A	Conjunto de engranajes de reducción -A-	1
-	656-12B	Conjunto de engranajes de reducción -B-	1
-	656-10	Eje de accionamiento	1
360-0002		Kit de engranaje 360 1T	
-	656-11	Engranaje de la rueda de elevación	1
-	656-11A	Arandela	1
-	656-11B	Anillo de ubicación	2
-	656-12A	Conjunto de engranajes de reducción -A-	1
-	656-12B	Conjunto de engranajes de reducción -B-	1
-	656-10	Eje de accionamiento	1
360-0003		Kit de engranaje 360 2T	
-	656-11	Engranaje de la rueda de elevación	1
-	656-11A	Arandela	1
-	656-11B	Anillo de ubicación	2
-	656-12A	Conjunto de engranajes de reducción -A-	1
-	656-12B	Conjunto de engranajes de reducción -B-	1
-	656-10	Eje de accionamiento	1
360-0004		Kit de engranaje 360 3T - 10T	
-	656-11	Engranaje de la rueda de elevación	1
-	656-11A	Arandela	1
-	656-11B	Anillo de ubicación	2
-	656-12A	Conjunto de engranajes de reducción -A-	1
-	656-12B	Conjunto de engranajes de reducción -B-	1
-	656-10	Eje de accionamiento	1
360-0010		Kit de rueda de elevación 360 0.5T	
-	656-8	Estructura de rueda de elevación	1
-	656-18	Cojinete de rueda de elevación	2
360-0011		Kit de rueda de elevación 360 1T	
-	656-8	Estructura de rueda de elevación	1
-	656-18	Cojinete de rueda de elevación	2
360-0012		Kit de rueda de elevación 360 2T	
-	656-8	Estructura de rueda de elevación	1
-	656-18	Cojinete de rueda de elevación	2
360-0013		Kit de rueda de elevación 360 3T - 10T	
-	656-8	Estructura de rueda de elevación	1
-	656-18	Cojinete de rueda de elevación	2
360-0020		Kit de placa lateral (transmisión por engranajes) 360 0.5T	
-	656-2	Placa lateral de la transmisión por engranajes	1
-	656-4	Estructura de la tapa del extremo	1
360-0020A		Kit de placa lateral (volante) 360 0.5T	
-	656-4	Estructura de la tapa del extremo	1
-	656-9	Estructura de la placa lateral del volante	1
360-0021		Kit de placa lateral (transmisión por engranajes) 360 1T	
-	656-2	Placa lateral de la transmisión por engranajes	1
-	656-4	Estructura de la tapa del extremo	1
360-0021A		Kit de placa lateral 360 (volante) 1T	
-	656-4	Estructura de la tapa del extremo	1
-	656-9	Estructura de la placa lateral del volante	1
360-0022		Kit de placa lateral (transmisión por engranajes) 2T	
-	656-2	Placa lateral de la transmisión por engranajes	1
-	656-4	Estructura de la tapa del extremo	1
360-0022A		Kit de placa lateral (volante) 360 2T	
-	656-4	Estructura de la tapa del extremo	1
-	656-9	Estructura de la placa lateral del volante	1
360-0023		Kit de placa lateral (transmisión por engranajes) 3T - 10T	
-	656-2	Placa lateral de la transmisión por engranajes	1
-	656-4	Estructura de la tapa del extremo	1
360-0023A		Kit de placa lateral (volante) 3T - 10T	
-	656-4	Estructura de la tapa del extremo	2
-	656-9	Estructura de la placa lateral del volante	1

N° de referencia	Número de artículo	Descripción	Cant.
360-0030		Kit de separador de cadena para 360 0.5T	
-	656-5	Guía para cadena	1
-	656-6	Separador de cadena	1
-	656-7	Kit de conector para el extremo suelto	1
360-0031		Kit de separador de cadena para 360 1T	
-	656-5	Guía para cadena	1
-	656-6	Separador de cadena	1
-	656-7	Kit de conector para el extremo suelto	1
360-0032		Kit de separador de cadena para 360 2T	
-	656-5	Guía para cadena	1
-	656-6	Separador de cadena	1
-	656-7	Kit de conector para el extremo suelto	1
360-0033		Kit de separador de cadena para 360 3T - 10 T	
-	656-5	Guía para cadena	1
-	656-6	Separador de cadena	1
-	656-7	Kit de conector para el extremo suelto	1
360-0050		Kit de volante 360 0.5T	
-	656-27	Volante	1
-	656-37	Tubo de advertencia	1
360-0051		Kit de volante 360 1T	
-	656-27	Volante	1
-	656-37	Tubo de advertencia	1
360-0052		Kit de volante 360 2T	
-	656-27	Volante	1
-	656-37	Tubo de advertencia	1
360-0053		Kit de volante 360 3T - 10T	
-	656-27	Volante	1
-	656-37	Tubo de advertencia	1
360-0070A		Kit de trinquete 360 0.5T - For Serial Numbers BEFORE 151100620	
-	656-20	Placa de presión	1
-	656-21	Estructura del disco del trinquete	1
-	656-22	Handwheel Brake Hub	1
-	656-26	Disco de fricción	3
-	656-41	Anilla de retención	1
-	656-9	Estructura de la placa lateral del volante	1
360-0070		Kit de trinquete 360 0.5T - For Serial Numbers AFTER 151100620	
-	656-20	Placa de presión	1
-	656-21	Estructura del disco del trinquete	1
-	656-22	Buje de freno de volante	1
-	656-26	Disco de fricción	4
-	656-41	Anilla de retención	1
360-0071		Kit de trinquete 360 1T - For Serial Numbers BEFORE 150808997A	
-	656-20	Placa de presión	1
-	656-21	Estructura del disco del trinquete	1
-	656-22	Buje de freno de volante	1
-	656-26	Disco de fricción	4
-	656-41	Anilla de retención	1
-	656-9	Estructura de la placa lateral del volante	1
360-0071		Kit de trinquete 360 1T - For Serial Numbers AFTER 150808997A	
-	656-20	Placa de presión	1
-	656-21	Estructura del disco del trinquete	1
-	656-22	Buje de freno de volante	1
-	656-26	Disco de fricción	4
-	656-41	Anilla de retención	1
360-0072		Kit de trinquete 360 2T	
-	656-20	Placa de presión	1
-	656-21	Estructura del disco del trinquete	1
-	656-22	Buje de freno de volante	1
-	656-26	Disco de fricción	4
-	656-41	Anilla de retención	1
360-0072		Kit de trinquete 360 3T - 10T	
-	656-20	Placa de presión	1
-	656-21	Estructura del disco del trinquete	1
-	656-22	Buje de freno de volante	1
-	656-26	Disco de fricción	4
-	656-41	Anilla de retención	1
360-0073		Kit de trinquete 360 3T - 10T	
-	656-20	Placa de presión	1
-	656-21	Estructura del disco del trinquete	1
-	656-22	Buje de freno de volante	1
-	656-26	Disco de fricción	4

LISTADO DE PIEZAS DE REPUESTO 1/2 TONNE - 10 TONNE (CONTINUACIÓN)

Nº de referencia	Número de artículo	Descripción	Cant.
-	656-41	Anilla de retención	1
360-0080	-	Kit de tapa del freno 0.5T	-
-	656-19	Kit de herrajes para tapa	1
-	656-34A	Estructura de tapa de volante	1
-	656-35	Soporte de tapa de volante	1
-	656-36	Tapón, Kit CM (con tornillo de cabeza hueca)	1
360-0081	-	Kit de tapa del freno 1T	-
-	656-19	Kit de herrajes para tapa	1
-	656-34A	Estructura de tapa de volante	1
-	656-35	Soporte de tapa de volante	1
-	656-36	Tapón, Kit CM (con tornillo de cabeza hueca)	1
360-0082	-	Kit de tapa del freno 2T	-
-	656-19	Kit de herrajes para tapa	1
-	656-34A	Estructura de tapa de volante	1
-	656-35	Soporte de tapa de volante	1
-	656-36	Tapón, Kit CM (con tornillo de cabeza hueca)	1
360-0083	-	Kit de tapa del freno 3T - 10T	-
-	656-19	Kit de herrajes para tapa	1
-	656-34A	Estructura de tapa de volante	1
-	656-35	Soporte de tapa de volante	1
-	656-36	Tapón, Kit CM (con tornillo de cabeza hueca)	1
360-0084	-	Kit de tapa de engranajes 360 0.5T	-
-	656-1	Tapa de engranajes con pasamuros	1
-	656-19	Kit de herrajes para tapa	1
-	656-38	Kit de etiquetas de advertencia (3 etiquetas)	1
-	656-39	Kit de placa de datos (con tornillo de rosca cortante)	1
360-0085	-	Kit de tapa de engranajes 360 1T	-
-	656-1	Tapa de engranajes con pasamuros	1
-	656-19	Kit de herrajes para tapa	1
-	656-38	Kit de etiquetas de advertencia (3 etiquetas)	1
-	656-39	Kit de placa de datos (con tornillo de rosca cortante)	1
360-0086	-	Kit de tapa de engranajes 360 2T	-
-	656-1	Tapa de engranajes con pasamuros	1
-	656-19	Kit de herrajes para tapa	1
-	656-38	Kit de etiquetas de advertencia (3 etiquetas)	1
-	656-39	Kit de placa de datos (con tornillo de rosca cortante)	1
360-0087	-	Kit de tapa de engranajes 360 3T	-
-	656-1	Tapa de engranajes con pasamuros	1
-	656-19	Kit de herrajes para tapa	1
-	656-38	Kit de etiquetas de advertencia (Inglés)	1
-	656-38	Kit de etiquetas de advertencia (Español)	1
-	656-38	Kit de etiquetas de advertencia (Francés)	1
-	656-39	Kit de placa de datos (con tornillo de rosca cortante)	1
-	N/S	Juego de rodillos	1
360-0088	-	Kit de tapa de engranajes 360 5T	-
-	656-1	Tapa de engranajes con pasamuros	1
-	656-19	Kit de herrajes para tapa	1
-	656-38	Kit de etiquetas de advertencia (Inglés)	1
-	656-38	Kit de etiquetas de advertencia (Español)	1
-	656-38	Kit de etiquetas de advertencia (Francés)	1
-	656-39	Kit de placa de datos (con tornillo de rosca cortante)	1
-	N/S	Juego de rodillos	1
360-0089	-	Kit de tapa de engranajes 360 10T	-
-	656-1	Tapa de engranajes con pasamuros	1
-	656-19	Kit de herrajes para tapa	1
-	656-38	Kit de etiquetas de advertencia (Inglés)	1
-	656-38	Kit de etiquetas de advertencia (Español)	1
-	656-38	Kit de etiquetas de advertencia (Francés)	1
-	656-39	Kit de placa de datos (con tornillo de rosca cortante)	1
-	N/S	Juego de rodillos	1
360-0090	-	Kit de herrajes 360 0.5T	-
-	656-19	Kit de herrajes para tapa	1
-	656-25	Tuerca ranurada	1
-	656-29	Arandela	1
-	656-30	Tuerca almenada	1
-	656-33	Pasador	1
360-0091	-	Kit de herrajes 360 1T	-
-	656-19	Kit de herrajes para tapa	1
-	656-25	Tuerca ranurada	1
-	656-29	Arandela	1
-	656-30	Tuerca almenada	1
-	656-33	Pasador	1
360-0092	-	Kit de herrajes 360 2T	-
-	656-19	Kit de herrajes para tapa	1

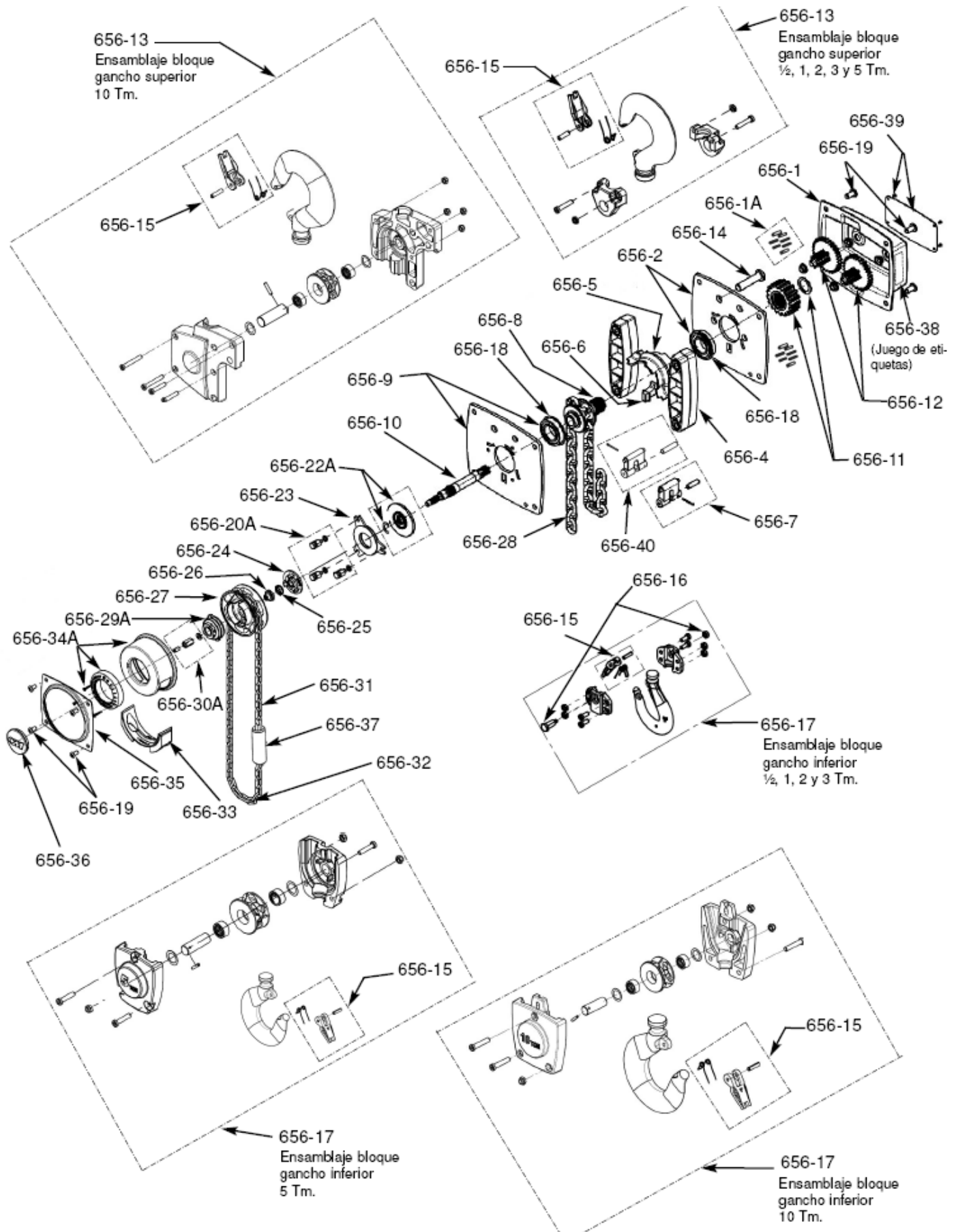
Nº de referencia	Número de artículo	Descripción	Cant.
-	656-25	Tuerca ranurada	1
-	656-29	Arandela	1
-	656-30	Tuerca almenada	1
-	656-33	Pasador	1
360-0093	-	Kit de herrajes 360 3T - 10T	-
-	656-19	Kit de herrajes para tapa	1
-	656-25	Tuerca ranurada	1
-	656-29	Arandela	1
-	656-30	Tuerca almenada	1
-	656-33	Pasador	1
360-0100	-	Kit de garra 360 0.5T - 1T	-
-	656-42	Anilla de retención	2
-	656-43	Garra	2
-	656-44	Resorte (resorte de garra)	2
360-0101	-	Kit de garra 360 2T	-
-	656-42	Anilla de retención	2
-	656-43	Garra	2
-	656-44	Resorte (resorte de garra)	2
360-0102	-	Kit de garra 360 3T - 10T	-
-	656-42	Anilla de retención	2
-	656-43	Garra	2
-	656-44	Resorte (resorte de garra)	2
360-0110	-	Embrague de sobrecarga de volante 360 0.5T	-
-	656-23	Placa de presión	1
-	656-24	Arandela elástica de Belleville	1
-	656-25	Tuerca ranurada	1
-	656-26	Disco de fricción	1
-	656-29	Arandela	1
-	656-30	Tuerca almenada	1
-	656-33	Pasador	1
360-0111	-	Embrague de sobrecarga de volante 360 1T	-
-	656-23	Placa de presión	1
-	656-24	Arandela elástica de Belleville	1
-	656-25	Tuerca ranurada	1
-	656-26	Disco de fricción	1
-	656-29	Arandela	1
-	656-30	Tuerca almenada	1
-	656-33	Pasador	1
360-0112	-	Embrague de sobrecarga de volante 360 2T	-
-	656-23	Placa de presión	1
-	656-24	Arandela elástica de Belleville	1
-	656-25	Tuerca ranurada	1
-	656-26	Disco de fricción	1
-	656-29	Arandela	1
-	656-30	Tuerca almenada	1
-	656-33	Pasador	1
360-0113	-	Embrague de sobrecarga de volante 360 3T & 10T	-
-	656-23	Placa de presión	1
-	656-24	Arandela elástica de Belleville	1
-	656-25	Tuerca ranurada	1
-	656-26	Disco de fricción	1
-	656-29	Arandela	1
-	656-30	Tuerca almenada	1
-	656-33	Pasador	1
360-0114	-	Embrague de sobrecarga de volante 360 5T	-
-	656-23	Placa de presión	1
-	656-24	Arandela elástica de Belleville	1
-	656-25	Tuerca ranurada	1
-	656-26	Disco de fricción	1
-	656-29	Arandela	1
-	656-30	Tuerca almenada	1
-	656-33	Pasador	1
360-0120	-	Kit de estructura del gancho superior 360 0.5T	-
-	656-13	Estructura del gancho superior	1
-	656-14	Pasador del gancho superior	1
360-0121	-	Kit de estructura del gancho superior 360 1T	-
-	656-13	Estructura del gancho superior	1
-	656-14	Pasador del gancho superior	1
360-0122	-	Kit de estructura del gancho superior 360 2T	-
-	656-13	Estructura del gancho superior	1
-	656-14	Pasador del gancho superior	1
360-0123	-	Kit de estructura del gancho superior 360 3T	-
-	656-13	Estructura del gancho superior	1
-	656-14	Pasador del gancho superior	1

ESPAÑOL

LISTADO DE PIEZAS DE REPUESTO 1/2 TONNE - 10 TONNE (CONTINUACIÓN)

Nº de referencia	Número de artículo	Descripción	Cant.
360-0124		Kit de estructura del gancho superior 360 5T	
-	656-13	Estructura del gancho superior	1
-	656-14	Pasador del gancho superior	1
360-0125		Kit de estructura del gancho superior 360 10T	
-	656-13	Estructura del gancho superior	1
-	656-14	Pasador del gancho superior	1
360-0130		Kit de estructura del gancho inferior 360 0.5T	
-	656-17	Estructura del gancho inferior	1
360-0131		Kit de estructura del gancho inferior 360 1T	
-	656-17	Estructura del gancho inferior	1
360-0132		Kit de estructura del gancho inferior 360 2T	
-	656-17	Estructura del gancho inferior	1
360-0133		Kit de estructura del gancho inferior 360 3T	
-	656-17	Estructura del gancho inferior	1
360-0134		Kit de estructura del gancho inferior 360 5T	
-	656-17	Estructura del gancho inferior	1
360-0135		Kit de estructura del gancho inferior 360 10T	2
-	656-17	Estructura del gancho inferior	1
85826	656-28	Cadena de carga 0.5T	1
85789	656-28	Cadena de carga 1T	1
635232	656-28	Cadena de carga 2T	1
85962	656-28	Cadena de carga 3T - 5T	1
85962	656-28	Cadena de carga 10T	1
00400354	656-14	Eje del gancho superior 0.5T	1
00400270	656-14	Eje del gancho superior 1T	1
00400307	656-14	Eje del gancho superior 2T	1
00400482	656-14	Eje del gancho superior 3T & 10 T	1
00400514	656-14	Eje del gancho superior 5T	1
04307654ZPY	656-31	Cadena manual	1
00401421	656-45	Herramienta de llave de cadena 0.5T	1
00401422	656-45	Herramienta de llave de cadena 1T	1
00401423	656-45	Herramienta de llave de cadena 2T	1
00401424	656-45	Herramienta de llave de cadena 3T - 10T	1
00400449	656-15	Kit de pasador 0.5T	1
00400450	656-15	Kit de pasador 1T	1
00400451	656-15	Kit de pasador 2T	1
00400647	656-15	Kit de pasador 3T	1
65600004	656-15	Kit de pasador 5T	1
65600005	656-15	Kit de pasador 10T	1
65600022	656-40	Kit de anclaje de la cadena de carga 5T	1
04307654CZPY	656-32	Eslabón conector de la cadena manual	1
00401378	656-39	Kit de placa de datos (con tornillo de rosca cortante) 0.5T	1
00401379	656-39	Kit de placa de datos (con tornillo de rosca cortante) 1T	1
00401380	656-39	Kit de placa de datos (con tornillo de rosca cortante) 2T	1
00401382	656-39	Kit de placa de datos (con tornillo de rosca cortante) 3T	1
00401383	656-39	Kit de placa de datos (con tornillo de rosca cortante) 5T	1
00401384	656-39	Kit de placa de datos (con tornillo de rosca cortante) 10T	1
56814	656-38	Kit de etiquetas de advertencia (3 etiquetas) 0.5T	1
56815	656-38	Kit de etiquetas de advertencia (3 etiquetas) 1T	1
56816	656-38	Kit de etiquetas de advertencia (3 etiquetas) 2T	1
8020300010Y	656-38	Kit de etiquetas de advertencia (Inglés) 3T	1
80203001V1Y	656-38	Kit de etiquetas de advertencia (Español) 3T	1
80203001V2Y	656-38	Kit de etiquetas de advertencia (Francés) 3T	1
8020500010Y	656-38	Kit de etiquetas de advertencia (Inglés) 5T	1
80205001V1Y	656-38	Kit de etiquetas de advertencia (Español) 5T	1
80205001V2Y	656-38	Kit de etiquetas de advertencia (Francés) 5T	1
8021000010Y	656-38	Kit de etiquetas de advertencia (Inglés) 10T	1
8021000020Y	656-38	Kit de etiquetas de advertencia (Español) 10T	1
8021000030Y	656-38	Kit de etiquetas de advertencia (Francés) 10T	1
00400756	N/S	Juego de rodillos	1

VISTA DESPIEZADA DEL POLIPASTO MANUAL HURICANE 360 DE CM®



ESPAÑOL

CM® HURRICANE 360° - LISTA DE PIEZAS DEL ELEVADOR DE CADENA MANUAL - 15 TONELADAS - 20 TONELADAS

ESPAÑOL

Nº de referencia	Número de artículo	Descripción	Cant.
360-0004		Kit de engranaje 360 15T - 20T	
-	656-9	Engranaje de la rueda de elevación	1
-	656-13	Anillo de ubicación	2
-	656-14	Arandela	1
-	656-10	Conjunto de engranajes de reducción -A-	1
-	656-11	Conjunto de engranajes de reducción -B-	1
-	656-12	Eje de accionamiento	1
360-0013		Kit de engranaje 15T - 20T	
-	656-3	Estructura de rueda de elevación	1
-	656-8	Cojinete de rueda de elevación	2
360-0023A		Kit de placa lateral (volante) 15T - 20T	
-	656-1	Placa lateral de la transmisión por engranajes	1
-	656-4	Estructura de la tapa del extremo	1
360-0023		Kit de placa lateral (transmisión por engranajes) 15T - 20T	
-	656-2	Placa lateral de la transmisión por engranajes	1
-	656-4	Estructura de la tapa del extremo	1
360-0033		Kit de separador de cadena para 360 15T - 20 T	
-	656-6	Guía para cadena	1
-	656-7	Separador de cadena	1
-	656-16	Kit de conector para el extremo suelto	1
360-0054		Kit de volante 360 15T - 20T	
-	656-24	Volante	1
-	N/S	Tubo de advertencia	1
360-0075		Kit de trinquete 360 15T - 20T	
-	656-17	Estructura del disco del trinquete	1
-	656-21	Disco de fricción	2
-	656-22	Anilla de retención	1
-	656-23	Anilla de retención	1
360-0083		Kit de tapa del freno 15T - 20T	
-	656-31	Kit de herrajes para tapa	1
-	656-28	Estructura de tapa de volante	1
-	656-30	SopORTE de tapa de volante	1
-	656-32	Tapón, Kit CM (con tornillo de cabeza hueca)	1
360-0093		Kit de herrajes 360 15T - 20T	
-	656-25	Arandela	1
-	656-26	Tuerca almenada	1
-	656-27	Pasador	1
360-0095		Kit de herrajes para tapa 15T - 20T	
-	656-33	tornillo	3
-	656-32	Tapón, Kit CM (con tornillo de cabeza hueca)	1
360-0102		Kit de garra 360 15T - 20T	
-	656-18	Garra	2
-	656-19	Resorte (resorte de garra)	2
-	656-20	Anilla de retención	2
360-0126		Kit de estructura del gancho superior 360 15T - 20T	
-	656-5	Estructura del gancho superior	1
-	656-11	Pasador del gancho superior	1
360-0136		Kit de estructura del gancho inferior 360 15T - 20T	
-	656-3	Estructura del gancho inferior	1
360-0140		Kit de tapa del freno 360 15T - 20T	
-	656-33	tornillo	3
-	656-31	tornillo	8

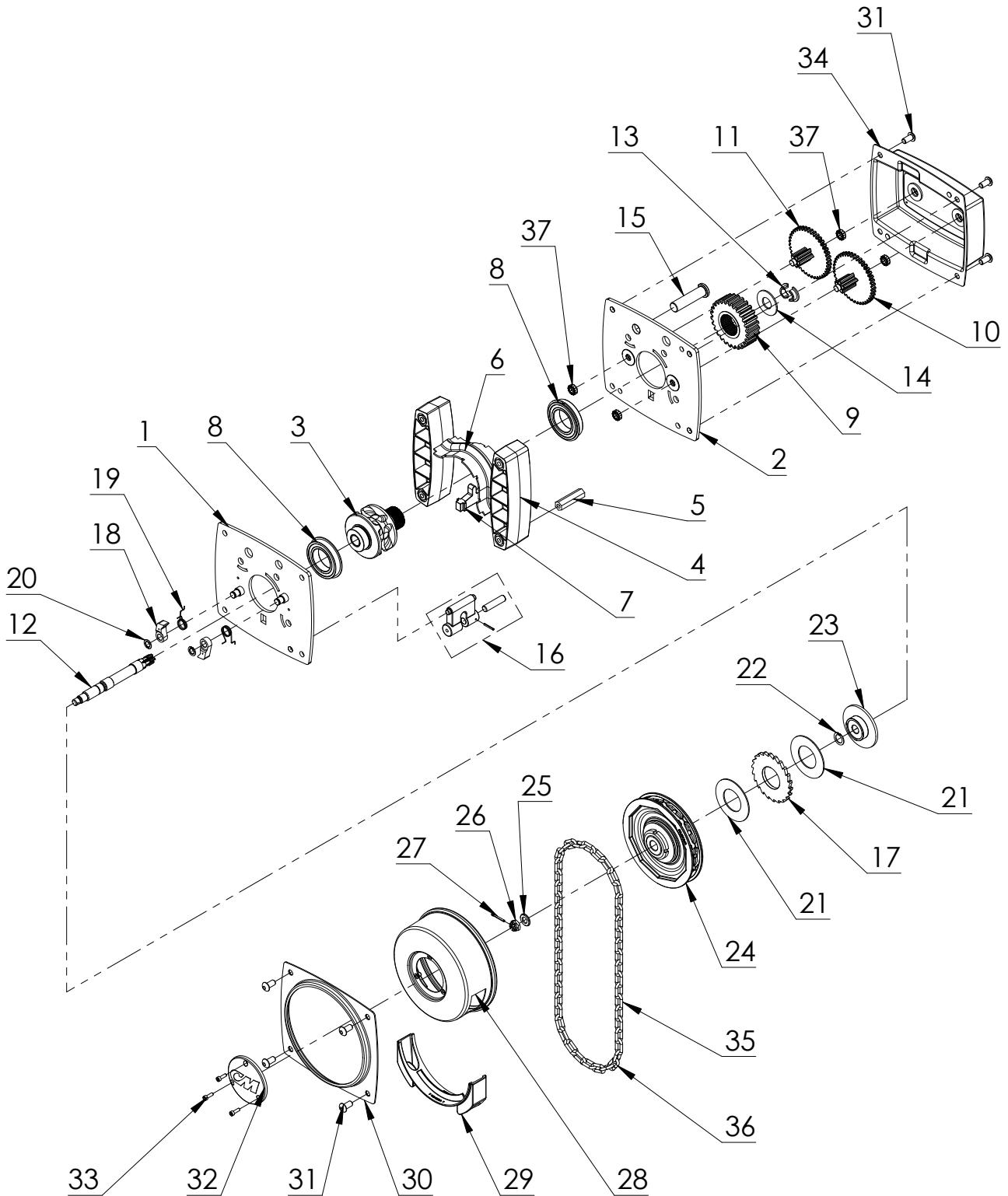
Nº de referencia	Número de artículo	Descripción	Cant.
-	656-30	SopORTE de tapa de volante	1
-	656-28	Estructura de tapa de volante	1
-	656-29	Guía para cadena	1
360-0141		Kit de tapa de engranajes 360 15T - 20T	
-	656-31	tornillo	8
-	656-34	Estructura de tapa de engranajes con pasamuros	1
Piezas disponibles como componentes individuales			
09108020	656-31	tornillo	8
09102199	656-33	tornillo	3
04307654	656-35	Cadena manual	2*
04307654CZPB	656-36	Eslabón conector	1

* Se muestran en el diagrama de la página 20.

NOTA: Para los elevadores de cadena manual Hurricane 360 de 15 y 20 toneladas, hay dos elevadores de cadena manuales unidos al conjunto del bastidor. Por lo tanto, es posible que necesite pedir dos juegos de piezas para reparaciones.

CM® HURRICANE 360° - PLANO DE DESPIECE DEL ELEVADOR DE CADENA MANUAL - 15 TONELADAS - 20 TONELADAS

ESPAÑOL



NOTA: Para los elevadores de cadena manual Hurricane 360 de 15 y 20 toneladas, hay dos elevadores de cadena manuales unidos al conjunto del bastidor. Por lo tanto, es posible que necesite pedir dos juegos de piezas para reparaciones.

Nota: Para los números de serie que no tienen una "A" al final, los números de referencia 1, 22 y 28 se pueden reemplazar en conjunto. Si tiene un número de serie con una "A" al final, utilice el número de referencia 45.

CM® HURRICANE 360° - PLANO DE DESPIECE DEL ELEVADOR DE CADENA MANUAL - 15 TONELADAS - 20 TONELADAS

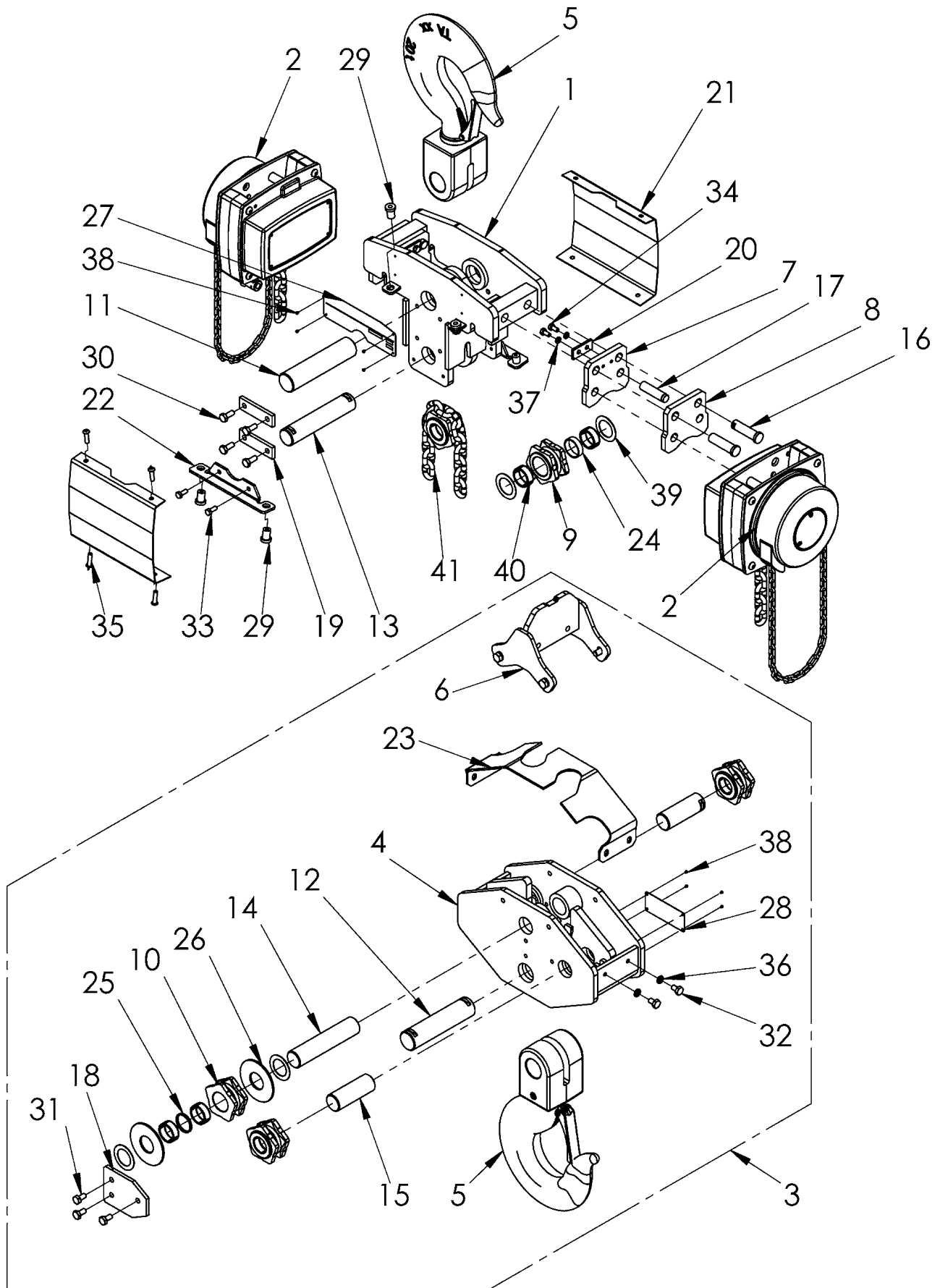
ESPAÑOL

Nº de referencia	Número de artículo	Descripción	Cant.
360-0142		Kit de la cubierta lateral del bastidor del 360 15T - 20T	
-	656-21	Cubierta lateral	2
-	656-35	Tornillo de cabeza redonda	8
360-0143		Kit del soporte de la cubierta lateral del 360 15T - 20T	
-	656-22	Soporte de la cubierta lateral	2
-	656-29	Tuerca	2
-	656-33	Tornillo	2
360-0144		Kit del soporte del eje del elevador 360 15T - 20T	
-	656-19	Placa de soporte del eje	4
-	656-30	Tornillo	4
360-0145		Kit de placa de identificación y bastidor de soporte del 360 15T	
-	656-27	Placa de identificación, bastidor de soporte	1
-	656-38	Pasador ranurado de cabeza redonda	4
360-0146		Kit de placa de identificación y bastidor de soporte del 360 20T	
-	656-27	Placa de identificación, bastidor de soporte	1
-	656-38	Pasador ranurado de cabeza redonda	4
360-0147		Kit de la placa de capacidad del 360 15T	
-	656-28	Placa de capacidad	1
-	656-38	Pasador ranurado de cabeza redonda	4
360-0148		Kit de la placa de capacidad del 360 20T	
-	656-28	Placa de capacidad	1
-	656-38	Pasador ranurado de cabeza redonda	4
360-0149		Kit de la rueda de elevación superior del 360 15T - 20T	
-	656-9	Rueda de elevación superior	4
-	656-40	Rodillo	10
-	656-24	Arandela del elevador	4
-	656-39	Arandela	10
360-0150		Kit del enganche del elevador 360 15T - 20T	
-	656-7	Placa adaptadora	2
-	656-8	Placa adaptadora	2
-	656-20	Soporte del eje del elevador	2
-	656-334	Tornillo	4
-	656-17	Perno de suspensión de soporte	2
-	656-16	Perno de suspensión del elevador	4
-	656-37	Arandela de muelle	4
360-0151		Kit del conjunto del bastidor del 360 15T - 20T	
-	656-1	Conjunto del bastidor de soporte	1
-	656-13	Perno del bastidor superior	1
-	656-28	Tuerca	8

Nº de referencia	Número de artículo	Descripción	Cant.
Piezas disponibles como componentes individuales			
00400915	656-11	Perno del gancho superior	1
00400917	656-12	Perno del gancho de carga	1
00400916	656-13	Perno del bastidor superior	1
00400918	656-14	Perno del bloque inferior	1
00401098	656-15	Perno de la rueda de elevación inferior	2
00400911	656-16	Perno de suspensión del elevador	4
00550147	656-17	Perno de suspensión de soporte	2
192031037	656-25	Arandela del bloque inferior	1
192031036	656-26	Arandela del bloque inferior	2
09177096	656-29	Tuerca	8
09101023	656-30	Tornillo	8
09101016	656-31	Tornillo	6
09101418	656-32	Tornillo	4
09101013	656-33	Tornillo	4
09101415	656-34	Tornillo	4
09108052	656-35	Tornillo de cabeza redonda	8
09122013	656-36	Arandela de muelle	4
09122016	656-37	Arandela de muelle	4
09128004	656-38	Pasador ranurado de cabeza redonda	8
09153054	656-39	Arandela	10
85962	656-41	Cadena de carga	1**

CM® HURRICANE 360° - PLANO DE DESPIECE DEL ELEVADOR DE CADENA MANUAL - 15 TONELADAS - 20 TONELADAS

ESPAÑOL



LA SECURITE D'OPERATION DU PALAN DEPEND DE VOUS...

⚠ AVERTISSEMENT

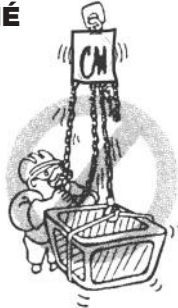
NE SOULEVEZ PAS DE CHARGE EXCÉDANT LA CAPACITÉ NOMINALE.

N'OPÉREZ QUE DE FAÇON MANUELLE (UN SEUL OPÉRATEUR).

CHOISISSEZ LE PALAN APPROPRIÉ À L'EMPLOI...

Choisissez un palan ayant une capacité adéquate à l'emploi. Prenez connaissance de la capacité de vos palans et de vos charges et ensuite mariez les.

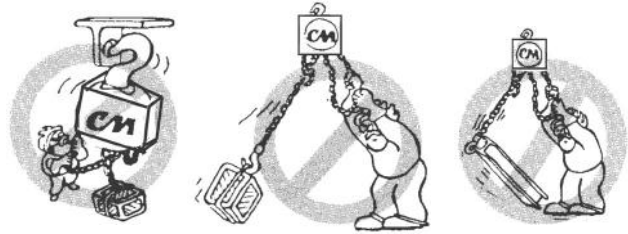
L'application, le type et les dimensions de la charge, les attaches utilisées et la fréquence d'utilisation doivent également être prises en considération lors de la sélection du palan approprié à l'emploi. Rappelez vous que le palan fut conçu pour soulager nos efforts et que l'imprudence non seulement met en danger l'opérateur, mais dans plusieurs cas, une précieuse charge.



⚠ AVERTISSEMENT

NE SOULEVEZ PAS DE CHARGE DE FAÇON ANGULAIRE. ASSUREZ VOUS QUE LA CHARGE ET LE PALAN SONT EN LIGNE DROITE.

N'UTILISEZ PAS LA CHAÎNE DE LEVAGE COMME ÉLINGUE.



UTILISEZ LE PALAN CORRECTEMENT

Assurez vous que le palan soit solidement accroché au creux supérieur du crochet de maintien.

Assurez vous que la charge soit en ligne droite avec le palan. Ne soulevez pas de charge de façon angulaire.

Assurez vous que la charge soit fermement accrochée. Ne chargez pas le crochet de côté. Ne chargez pas le verrou. Le verrou ne sert qu'à prévenir la charge de se dégager du crochet lorsque la chaîne est hors tension.

N'utilisez pas si le bâti du palan se bute contre un objet quelconque. Soulevez les charges doucement et non de façon brusque.



⚠ AVERTISSEMENT

N'UTILISEZ PAS UN PALAN ENDOMMAGÉ OU DÉFECTUEUX.

N'UTILISEZ PAS LE PALAN SI SA CHAÎNE EST TORDUE OU ENDOMMAGÉE.

INSPECTEZ

En plus des inspections périodiques régulières, tous les palans devraient visuellement être inspectés avant chaque utilisation.

Portez attention aux signes de mauvaise opération et de légitimité. Les défauts devraient être portés à l'attention des supérieurs.



Assurez vous que les palans défectueux soient marqués et mis hors d'usage jusqu'à ce que les réparations soient effectuées.

N'utilisez un palan défectueux en aucun cas.

Surveillez les matières étrangères, les oeillets de chaîne endommagés, déformés et tordus. N'utilisez pas un palan avec des oeillets de chaîne entortillés, endommagés ou tordus.

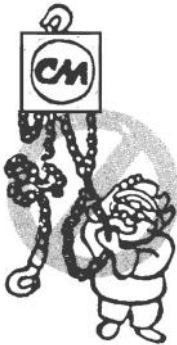
La chaîne de levage doit être adéquatement lubrifiée.

Les crochets qui sont pliés, usés ou dont l'ouverture excède l'ouverture normale ne

doivent pas être utilisés. Le palan devrait être mis hors service si le verrou ne s'engage pas dans l'ouverture du crochet.

Soyez à l'affût des dépôts et matières étrangères sur les chaînes qui pourraient être introduites dans le mécanisme du palan.

Vérifiez toute évidence de glissement du frein.



⚠ AVERTISSEMENT

NE SOULEVEZ PAS DE PERSONNES OU DE CHARGES AU DESSUS DE PERSONNES

SOYEZ TOUJOURS PRUDENTS

Ne soulevez pas de collègues de travail avec le palan.

Assurez-vous que toute personne est hors d'atteinte de la charge lorsque vous la soulevez.

N'enlevez ou n'obstruez les écriteaux d'avis d'opération.

ENTRETIEN PAR L'OPÉRATEUR

NETTOYAGE

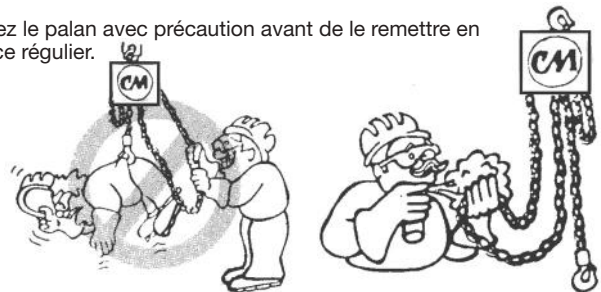
Les palans doivent être gardés propres et libres de poussière, saleté, humidité etc. qui d'une façon ou d'une autre affecterait l'opération ou la sécurité de l'équipement.

LUBRIFICATION

La chaîne doit être lubrifiée adéquatement.

APRÈS UNE RÉPARATION

Opérez le palan avec précaution avant de le remettre en service régulier.



TOUTE VIOLATION DES AVERTISSEMENTS INDIQUÉS PEUT CAUSER DE SÉRIEUSES BLESSURES CORPORELLES À L'OPÉRATEUR OU AU PERSONNEL ENVIRONNANT DÙ À UN RELÂCHEMENT DE LA CHARGE OU DE PIÈCES DE PALAN BRISÉES.

ADVERTENCIA

L'opération inadéquate d'un palan peut créer une situation potentiellement dangereuse qui pourrait causer des blessures graves ou la mort si elle n'est pas prévenue. Pour éviter une telle situation dangereuse l'opérateur doit:

1. **NE PAS** utiliser un palan défectueux ou ayant des performances inhabituelles.
2. **NE PAS** faire fonctionner le palan avant que vous n'ayez lu attentivement et compris les instructions de ce manuel.
3. **NE PAS** utiliser un palan qui a été modifié.
4. **NE PAS** lever ou tirer une charge excédant la capacité nominale du palan.
5. **NE PAS** utiliser un palan endommagé ou qui ne fonctionne pas correctement.
6. **NE PAS** utiliser un palan ayant une chaîne emmêlée, déformée, endommagée ou usée.
7. **NE PAS** utiliser le palan pour lever supporter ou transporter des personnes.
8. **NE PAS** lever de charge au dessus de personnes et s'assurez que le personnel soit dégagé du trajet de la charge.
9. **NE PAS** tenter d'allonger la chaîne de levage ou de la réparer.
10. **PROTÉGER** la chaîne de levage des éclaboussures de soudage et autres agents de contamination.
11. **NE PAS** utiliser la chaîne de levage comme élingue ou l'enrouler autour de la charge.
12. **NE PAS** appliquer la charge sur le bout du crochet ou sur son verrou.
13. **NE PAS** appliquer la charge sans que la chaîne de levage soit assise adéquatement dans les roues ou engrenages de chaîne.
14. **NE PAS** appliquer la charge si le palier ne permet pas de répartir la charge également sur toutes les chaînes de levage.
15. **NE PAS** faire fonctionner hors de la portée de déplacement de la chaîne de levage.
16. **NE PAS** laisser une charge suspendue sans surveillance à moins que des précautions spécifiques aient été prises.
17. **NE PAS** permettre l'utilisation de la chaîne ou du crochet comme masse électrique pour soudage ou autre.
18. **NE PAS** permettre que la chaîne ou le crochet entre en contact avec une électrode de soudage sous tension.
19. **NE PAS** enlever ou cacher les signes d'avertissements sur le palan.
20. **NE PAS** faire fonctionner un palan qui n'a pas été fixé à un support convenable de façon sécuritaire.
21. **NE PAS** utiliser un palan à moins que des élingues ou une autre amarre de calibre approuvé soit correctement assise dans le creux du crochet.
22. **NE PAS** faire fonctionner le palan lorsque la chaîne ne peut pas se tendre en ligne droite de crochet à crochet dans l'axe de charge.
23. **NE PAS** soulever de charge qui n'est pas équilibrée et dont le levage n'est pas sécuritaire, en la déposant avec précaution.
24. **NE PAS** utiliser un palan à moins que toutes les personnes sont et demeurent à l'écart de la charge.
25. **ÉMETTRE NOTICE** de faute de fonctionnement ou de performance non usuelle d'un palan et le **GARDER HORS SERVICE** jusqu'à ce qu'il soit réparé.
26. **NE PAS** utiliser un palan dont les plaques ou décalques de sécurité sont absents ou non lisibles.
27. **FAMILIARISEZ-VOUS** avec les avertissements, manettes de commande et procédures d'opération.

ATTENTION

L'opération inadéquate d'un palan peut créer une situation potentiellement dangereuse qui pourrait causer des blessures modérées ou mineures si elle n'est pas prévenue. Pour éviter une telle situation dangereuse l'opérateur doit:

1. Garder le pied ferme ou être autrement stable lors de l'opération du palan.
2. Vérifier le fonctionnement du frein en appliquant de la tension sur le palan avant chaque opération de levage ou de halage.
3. Utiliser les loquets de verrouillage des crochets. Les loquets de verrouillage sont destinés à retenir les élingues, chaînes etc., en situation non tendue seulement.
4. S'assurer que les loquets de verrouillage des crochets sont fermés et ne subissent aucun effort de levage de la charge.
5. S'assurer que le champ de déplacement de la charge n'est pas obstrué par quoi que ce soit.
6. Éviter de balancer la charge ou le crochet.
7. Inspecter le palan régulièrement, remplacer les composantes usées ou endommagées et garder un registre d'entretien approprié.
8. Utiliser seulement les pièces Columbus McKinnon pour les réparations de l'unité.
9. Lubrifiez la chaîne de levage selon les recommandations de ce manuel.
10. **NE PAS** opérer d'autre façon que par force manuelle.
11. **NE PAS** permettre que plus d'un opérateur à la fois ne tire sur la chaîne pour une seule main. Plus d'un opérateur causera vraisemblablement une surcharge du palan.
12. **NE PAS** laisser votre attention diverger de l'opération du palan.
13. **NE PAS** laisser le palan être soumis à l'abus causant des contacts sévères avec d'autres palans, structures ou autres objets.
14. **NE PAS** ajuster ou réparer le palan sauf si vous êtes qualifié à exécuter ces ajustements ou réparations.

Les palans sont destinés à un usage industriel général pour le déplacement de charges en dedans de leurs capacités de charge nominales. L'utilisateur devrait s'informer des restrictions d'application dans des environnements ou manipulations sévères ou anormaux avant d'installer et d'utiliser le palan.

INFORMATIONS DE SÉCURITÉ GÉNÉRALE

CONDITIONS ENVIRONNEMENTALES ADVERSES

N'utilisez pas les palans dans des endroits émettant des vapeurs inflammables, des liquides, des gaz ou toute poussière ou fibre combustible. N'utilisez pas de palan dans des environnements hautement corrosifs, abrasifs, humides ou pour des applications exposées à des températures en dessous de -12° et au dessus de 55°C.

DÉPLACEMENT DE CHARGES DANGEREUSES

Les palans ne sont pas recommandés pour lever des matières qui pourraient causer des dommages extensifs en cas de chute. Le levage ou déplacement de matières qui pourraient exploser ou causer une contamination chimique ou radioactive nécessite des systèmes de support redondants à sûreté en cas de défaut intégrés, qui ne sont pas inclus dans ces palans incorporados en éstos polipastos.

SPÉCIFICATIONS

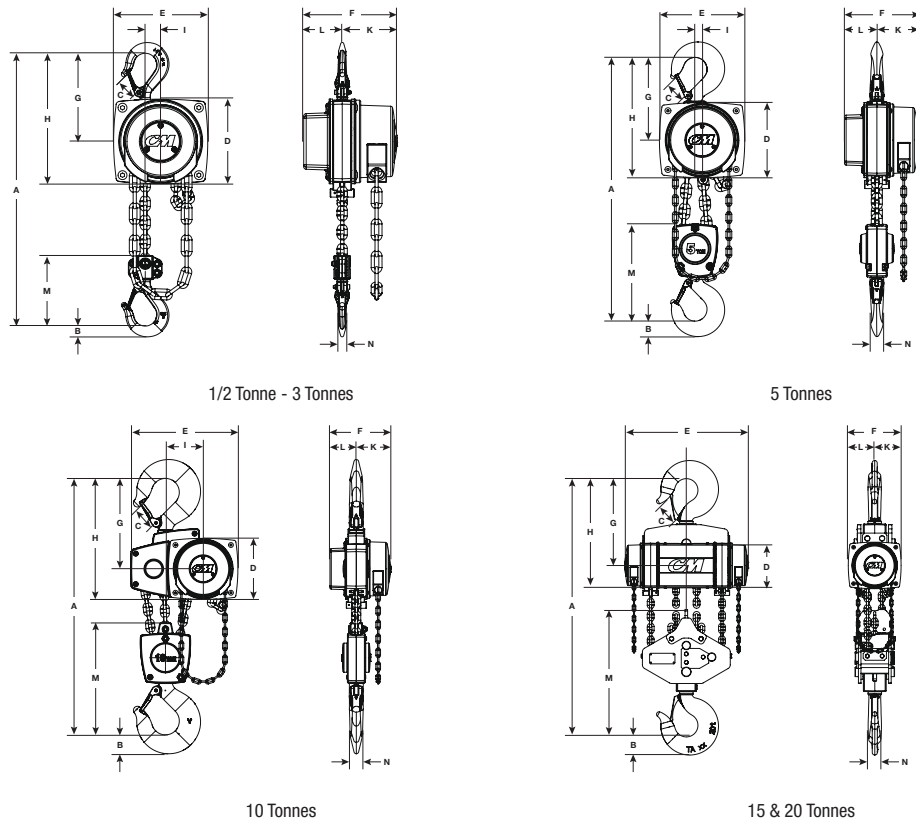


Figure 1 – Spécifications & Dimensions

Code de produit	Capacité en tonnes (kg)	Portée		Poids lbs (kg)	Mouflage	Traction de palan manuel à chaîne pour soulever la charge nominale en livre-force lbs. (kg)	Palan manuel à chaîne modifié pour soulever une charge sur une hauteur de 1 pied - (0,31m)	Dimensions en pouces (mm)													
		ft	m					A	B	C	D	E	F	G	H	I	K	L	M	N	
5623A	1/2 (500)	10	3	21 (9)	1	44 (20)	30 (9.1)	11.811 (300)	0.669 (17)	0.945 (24)	5.236 (133)	5.827 (148)	5.827 (148)	5.472 (139)	8.110 (206)	0.945 (24)	2.402 (61)	3.425 (87)	4.331 (110)	0.551 (14)	
5624A		15	4.5	23 (10)																	
5625A		20	6	25 (11)																	
5651A		30	9	29 (13)																	
5632A		moins de chaîne		17 (8)																	
5626A	1 (1,000)	10	3	28 (13)	1	54 (24)	49 (14.9)	13.189 (335)	0.866 (22)	1.142 (29)	6.142 (156)	6.890 (175)	6.575 (167)	6.457 (164)	9.528 (242)	0.945 (24)	2.756 (70)	3.819 (97)	4.921 (125)	0.748 (19)	
5627A		15	4.5	31 (14)																	
5628A		20	6	34 (15)																	
5653A		30	9	40 (18)																	
5633A		moins de chaîne		23 (10)																	
5629A	2 (2000)	10	3	47 (21)	1	74 (34)	71 (21.6)	15.551 (395)	1.181 (30)	1.378 (35)	7.165 (182)	7.992 (203)	7.638 (194)	7.559 (192)	11.142 (283)	1.220 (31)	3.268 (83)	4.370 (111)	6.142 (156)	0.866 (22)	
5630A		15	4.5	52 (24)																	
5631A		20	6	57 (26)																	
5634A		30	9	66 (30)																	
5635A		moins de chaîne		36 (16)																	
5635A	3 (3,000)	10	3	75 (34)	1	92 (42)	87 (26)	20.472 (520)	1.496 (38)	1.575 (40)	8.661 (220)	9.843 (250)	8.622 (219)	8.858 (225)	13.189 (335)	1.339 (34)	3.740 (95)	4.882 (124)	7.008 (178)	1.181 (30)	
5636A		15	4.5	82 (37)																	
5637A		20	6	89 (40)																	
5638A		30	9	100 (45)																	
5639A		moins de chaîne		52 (24)																	
5639A	5 (5,000)	10	3	106 (48)	2	76 (34)	174 (53)	25.748 (654)	1.772 (45)	1.850 (47)	8.661 (220)	9.843 (250)	8.622 (219)	9.528 (242)	13.858 (352)	0.827 (21)	3.740 (95)	4.882 (124)	11.220 (285)	1.457 (37)	
5640A		15	4.5	121 (55)																	
5641A		20	6	136 (62)																	
5642A		30	9	156 (70)																	
5643A		moins de chaîne		74 (34)																	
5643A	10 (10,000)	10	3	217 (98)	3	102 (46)	261 (79.3)	32.480 (825)	2.677 (68)	2.677 (68)	8.661 (220)	15.079 (383)	8.622 (219)	12.835 (326)	17.165 (436)	5.354 (136)	3.740 (95)	4.882 (124)	15.787 (401)	1.969 (50)	
5644A		15	4.5	240 (109)																	
5645A		20	6	261 (118)																	
5646A		30	9	296 (134)																	
5646A		moins de chaîne		168 (76)																	
HU15000H10	15 (15,000)	10	3	455 (206)	6	2 x 76 (2 x 34)	522 (2 x 261) (159.1 (2 x 79.3))	43.543 (1106)	3.386 (86)	3.150 (80)	8.661 (220)	23.071 (586)	9.843 (250)	16.181 (411)	20.512 (521)	-	4.921 (125)	4.921 (125)	23.740 (603)	2.480 (63)	
HU15000H15		15	4.5	508 (230)																	
HU15000H20		20	6	554 (251)																	
HU15000H30		30	9	653 (296)																	
HU20000H10	20 (20,000)	10	3	455 (206)	6	2 x 102 (2 x 46)	522 (2 x 261) (159.1 (2 x 79.3))	43.543 (1106)	3.386 (86)	3.150 (80)	8.661 (220)	23.071 (586)	9.843 (250)	16.181 (411)	20.512 (521)	-	4.921 (125)	4.921 (125)	23.740 (603)	2.480 (63)	
HU20000H15		15	4.5	508 (230)																	
HU20000H20		20	6	554 (251)																	
HU20000H30		30	9	653 (296)																	

FRANÇAIS

INFORMATIONS GÉNÉRALES

Les palans à chaîne manuels CM® Hurricane 360 sont des appareils de manutention des matériaux hautement versatiles pouvant être utilisés pour soulever des charges efficacement. Le bâti et les couvercles sont faits de plaques d'acier embouties. Les engrenages internes sont d'acier de haute qualité, ayant subi un traitement thermique. Des roulements à billes ou des coussinets supportent la roue de levage en acier revenu thermiquement. Les crochets supérieur et inférieur en acier forgé avec loquet de verrouillage sont de série. Un frein à friction n'incluant pas de rochet et cran d'arrêt comme ceux installés sur des palans similaires procure un contrôle de la charge positif et bloquera la charge à n'importe quel endroit.

Des palans de charge nominale de 1/2, 1, 2, 3, 5, 10, 15 et 20 Tonnes sont disponibles et ce manuel s'applique à toutes ces unités. Les hauteurs de levage standard sont 3,0m, 4,6m, y 6,1m et des palans à hauteur de levage plus élevée sont disponibles par commande spéciale. Une chaîne à main en acier plaqué tombant à 2 pieds de moins que la hauteur de levée du palan est fournie.

Les palans manuels CM® Hurricane 360 sont fabriqués selon les présentes spécifications et sont conformes au moment de leur fabrication à notre interprétation de la norme B30.16 "Overhead Hoists" de l'American Society of Mechanical Engineers (ASME). Une copie de cette norme peut être obtenue du département des commandes de l'ASME au 22 Law Drive, Box 2300, Fairfield, NJ 07007-2300, USA.

Ce manuel contient des informations importantes pour vous aider à installer, opérer et entretenir votre palan CM® Hurricane 360 correctement pour procurer une performance, une économie et une sécurité maximales.

Veuillez s.v.p. étudier son contenu entièrement avant de mettre votre palan en service. Vous vous assurez ainsi d'un service prolongé, fiable et sécuritaire en mettant en œuvre les procédures d'opération adéquates et en exécutant les suggestions d'entretien préventif recommandées.

Après vous être familiarisé complètement avec le contenu de ce manuel, nous recommandons que vous le classiez pour référence future.

POLITIQUE DE REMPLACEMENT ET DE RÉPARATION CM®

Tous les palans de Columbus McKinnon (CM®) Hurricane 360 sont inspectés et subissent un essai de performance avant d'être livrés. Si tout palan adéquatement entretenu développe un problème de rendement en dedans d'une période d'un an de la livraison à cause d'un défaut de matériau ou de main-d'œuvre, comme vérifié par CM®, la réparation ou le remplacement de l'unité sera effectué sans frais à l'acheteur original. Cette politique de remplacement et réparation ne s'applique seulement qu'aux palans CM® Hurricane 360 installés, entretenus et utilisés selon les instructions de ce manuel, et exclue spécifiquement les palans assujettis à l'usure normale, l'abus, une mauvaise installation, un entretien impropre ou inadéquat, les effets d'environnements hostiles et les réparations ou modifications non autorisées.

Nous nous réservons le privilège de changer les matériaux ou conceptions si nous jugeons que de tels changements améliorera notre produit. L'abus, les réparations par des personnes non autorisées ou l'utilisation de pièces de remplacement autres que des pièces originales CM®, annulera la garantie et pourrait résulter en une opération dangereuse. Veuillez consulter le récépissé d'achat pour avoir les termes et conditions de vente complets. Référez vous également au couvercle arrière du palan pour connaître les limitations de garanties, les remèdes et dommages, la compensation et l'opération sécuritaire.

DÉBALLAGE

Le palan devrait être inspecté soigneusement lors du déballage pour déceler tout dommage qui aurait pu survenir lors du transport ou de la manutention. Vérifiez si le bâti du palan est bosselé ou fissuré et inspectez la chaîne de levage pour déceler des encoches et gouges. S'il y a eu dommage durant le transport, consultez les procédures sur l'enveloppe de la liste de colisage sur le carton.

⚠ AVERTISSEMENT

L'opération d'une unité ayant des dommages extérieurs éminents peut résulter en la chute de la charge qui peut causer des blessures personnelles et/ou du dommage à la propriété.

POUR ÉVITER LES BLESSURES:

Vérifiez attentivement si l'unité a des signes de dommages extérieurs avant l'installation.

INSTALLATION

Avant d'installer le palan:

1. Déterminez la poids de la charge à lever ou déplacer et assurez-vous qu'elle n'excède pas la capacité nominale du palan.
2. Assurez-vous que le support ou l'élingue auquel le crochet supérieur sera attaché est de calibre suffisant pour supporter plusieurs fois le poids de la charge à soulever ou déplacer. Assurez-vous que le palan soit maintenu solidement dans la partie la plus élevée du crochet supérieur et que le loquet soit fermé et pas en contact avec le support ou l'élingue.

⚠ AVERTISSEMENT

La fixation du palan à un support inadéquat peut résulter en la chute du palan et de la charge et causer des blessures et/ou des dommages à la propriété.

POUR ÉVITER LES BLESSURES:

Assurez-vous que la structure est suffisamment forte pour supporter plusieurs fois le palan chargé à pleine capacité.

3. L'aire dans laquelle le palan est installé doit être assez grande pour:
 - que l'opérateur puisse manipuler la chaîne facilement
 - que l'opérateur et d'autres employés soient à l'écart de la charge en tout temps.
 - que l'opérateur puisse garder le pied ferme.
 - que le bâti du palan soit dégagé de tout objet.
 - que le bâti soit libre de pivoter sur son crochet supérieur.

INSTRUCTIONS D'OPÉRATION

⚠ AVERTISSEMENT

Le palan peut causer des blessures s'il n'est pas utilisé comme indiqué.

POUR ÉVITER LES BLESSURES:

Avant de faire fonctionner le palan CM® Hurricane 360, lisez toutes les instructions. N'utilisez seulement selon les indications ci-dessous.

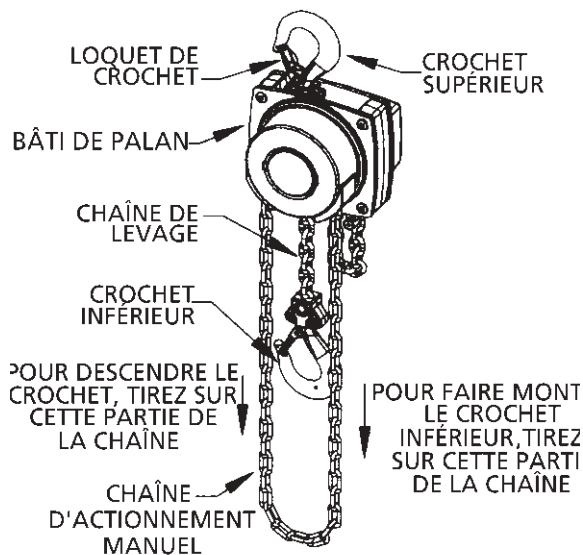


Figure 2 – Composantes principales du palan Hurricane 360

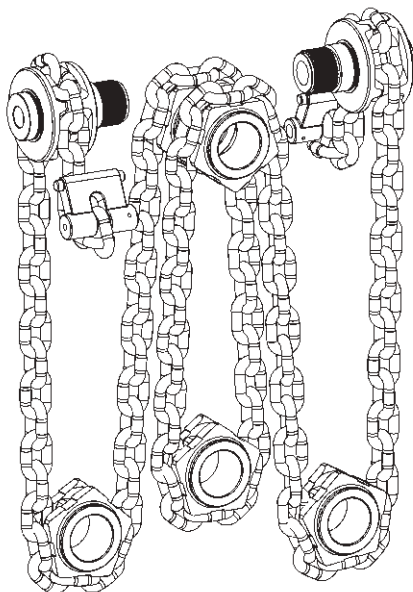


Figure 2A - Tirage pour palan de 20 tonnes

Actionnez le palan à vide, et ensuite avec une charge d'environ 23 Kg pour vous assurer qu'il fonctionne correctement et que le frein maintienne la charge lorsque la chaîne d'actionnement est relâchée. Ensuite, chargez le avec la charge nominale indiquée à la plaque signalétique.

GÉNÉRAL

1. Le crochet de levage doit toujours être installée sur une charge permettant de maintenir la chaîne en ligne droite d'un crochet à l'autre. Le palan doit toujours être libre de pivoter sur lui-même au crochet supérieur. Le bâti du palan ne doit en aucune circonstance être en contact avec tout support lors de son utilisation parce que ceci causerait la torsion du crochet ou du cadre et endommagerait l'unité
2. Lorsque vous vous apprêtez à lever ou déplacer une charge, assurez vous que les points d'attache des deux crochets soient fermement assis dans scelles de ceux-ci. Évitez tout chargement décentré, spécialement le chargement sur la pointe du crochet. Suivez également la règle que la chaîne doit être suspendue en ligne directe du palan au crochet inférieur sans roulis.
3. Lors du levage, ne soulevez la charge seulement que suffisamment pour libérer le plancher ou le support sur lequel elle repose et faites une vérification de maintien du frein. Assurez-vous aussi que le point d'attache de la charge soit fermement assis dans le crochet. Ne poursuivez la levée qu'après vous être assuré que la voie de déplacement soit libre de tout obstacle.

4. Ne chargez pas le palan au delà de sa capacité. Les capacités nominales de levage peuvent être atteintes avec les forces de tirage suivantes:

Capacité nominale du palan (Tonnes)	Force requise à la chaîne pour soulever la charge nominale (N)
1/2	44
1	54
2	74
3	92
5	76
10	102
15	2x76
20	2x102

Puisque ces forces de traction sur la chaîne peuvent facilement être appliquées par une seule personne, la chaîne du palan ne devrait dans aucune circonstance être actionnée par plus d'une personne. Cette palan est équipée d'une charge limitant dispositif. La présence de ce dispositif n'autorise pas l'application des surcharges. Choisissez toujours une palan dont capacité nominal est au-dessus de la charge à déplacer. Si la roue d'actionnement manuel glisse tout en fonctionnant, réduisez la charge ou utilisez un palan de capacité adéquate.

Note: La charge limitant dispositif incorporé dans cette palan est efficace seulement quand la surcharge est soulevée ou tirée par le fonctionnement de la roue d'actionnement manuel. Elle ne se protégera pas contre des surcharges extérieurement appliquées.

5. Ne pas enrouler la chaîne autour de la charge ou laisser la charge entrer en contact avec le palan. Ceci causerait la perte de la fonction de pivot du crochet ce qui pourrait se traduire par un roulis de chaîne et une roue de levage bloquée. La chaîne pourrait s'endommagée au niveau du crochet.
6. Ne demeurez pas sur le trajet des charges et ne déplacez pas de charge au dessus de la tête d'autres employés. Avertissez le personnel de votre intention de déplacer une charge dans leur secteur.
7. Ne laissez pas de charge en l'air sans supervision.
8. Ne descendez pas le crochet au point jusqu'à ce que la chaîne se raidisse entre la roue de levage et le joint de bout.
9. Ne montez pas le crochet inférieur jusqu'à ce qu'il fasse contact avec

⚠ AVERTISSEMENT

L'opération mécanisée peut causer des dommages structuraux ou une usure prématurée qui peut être la cause d'un bris pouvant permettre la chute de la charge.

POUR ÉVITER LES BLESSURES:

N'actionnez les palans CM® Hurricane 360 que manuellement.

10. Le palan est conçu pour opération manuelle seulement.
11. N'utilisez ce palan ou des équipements de levage de matériau à pont roulant ou autre pour soulever des personnes.
12. Ne laissez pas la charge s'appuyer contre le loquet de verrouillage du crochet. Le loquet sert à maintenir le crochet en position lorsque la chaîne est lâche avant sa mise en tension.
13. N'utilisez jamais le palan en présence de vapeurs ou de matériaux inflammables. Le contact violent entre pièces de métal peut produire une étincelle qui peut causer une explosion ou un feu.
14. **DEMEUREZ VIGILANT!** Utilisez votre jugement et surveillez ce que vous faites. N'utilisez pas le palan lorsque vous êtes fatigué ou sous l'influence de médicaments causant la somnolence, d'alcool ou de drogues.

⚠ AVERTISSEMENT

Une charge s'appuyant contre le verrou et/ou la pointe du crochet peut causer la perte de la charge.

POUR ÉVITER LES BLESSURES:

Ne laissez pas la charge s'appuyer contre le verrou et/ou la pointe du crochet. N'appliquez la charge que dans la coupe ou scelle du crochet.

ENTRETIEN

INSPECTION

Une procédure d'inspection régulière doit être mise en place de façon à ce que les pièces usées ou endommagées puissent être remplacées avant qu'elles ne deviennent dangereuses et pour maintenir une utilisation satisfaisante et continue. L'intervalle de temps entre les inspections doit être déterminé selon l'application individuelle et est basé sur le type de service auquel le palan est soumis. L'inspection des palans se groupe en deux classifications générales désignées "fréquentes" et "périodiques".

Inspections fréquentes:

Ces inspections sont des examens visuels effectués par l'opérateur ou autre personnel désigné. Les inspections fréquentes doivent être effectuées journalièrement et doivent couvrir ce qui suit:

- Le mécanisme de frein pour déceler un glissement - à tous les jours.
- La lubrification de la chaîne, son usure, les maillons endommagés ou l'insertion de matières étrangères - à tous les jours.

Toute anomalie notée doit être corrigée avant que le palan soit remis en service.

Inspections périodiques:

Ces inspections sont effectuées par une personne désignée qui garde un registre de l'apparence externe procurant une base d'évaluation continue. Les inspections périodiques doivent être effectuées annuellement pour un service normal et semi-annuellement pour un service intensif.

À cause de sa construction, Il sera nécessaire de démonter le palan partiellement pour effectuer ces inspections. Elles devront inclure les points mentionnés sous inspection fréquentes ainsi que les suivantes:

- Vérification de l'excès d'usure ou étirement de la chaîne (selon les indications de la page suivante)
- Recherche de pièces usées, déformées ou fissurées telles les ensembles à crochet, les guides de chaîne d'actionnement et de levage, le dénukeur, la vérification du joint de bout de chaîne, des arbres, engrenages, coussinets et paliers.
- Inspection de l'usure de la bague d'entraînement, de marques sur la roue de la chaîne d'actionnement et dans les cavités intérieures des enclos des roues de levage et de la chaîne d'actionnement.
- Vérification de vis, écrous, goujons et goupilles fendues lâches ou manquants.
- Inspection du frein, usure, noircissement et contamination du disque et égratignure du moyeu ou de la plaque. Si l'épaisseur de la rondelle de frottement est moins que 0,8mm elle doit être remplacée.
- Remplacement d'insignes d'avertissement manquantes ou détériorées.
- Détection de corrosion d'étirement excessif ou de bris du ressort de frein.
- Si l'apparence externe indique un usage inhabituel, un essai de détection de fissures au crochet à la teinture pénétrante, aux particules magnétiques ou autre méthode appropriée devrait être effectué au moins une fois l'an.

Toute anomalie notée doit être corrigée avant que le palan soit remis en opération. De plus, l'apparence externe peut indiquer le besoin d'inspection plus détaillée qui à son tour peut exiger des essais de type non destructifs.

Toutes les pièces jugées non réparables doivent être remplacées par des pièces CM® neuves avant d'utiliser le palan à nouveau. Il est très important que les pièces non réparables soient détruites et adéquatement mises au rebut pour prévenir la possibilité d'utilisation future comme pièces de rechange.

Inspection du crochet

Les crochets endommagés par des produits chimiques, qui sont déformés ou fissurés ou qui ont une torsion, une ouverture ou une usure de scelle excessive, doivent être remplacés. De plus, les crochets dont la dimension de l'ouverture est telle que le loquet ne s'engage pas dans la pointe doivent être remplacés. Tout crochet tordu ou qui a une ouverture excessive démontre un abus ou une surcharge du palan. Les autres pièces qui contribuent au support de la charge devraient être inspectées également.

Assurez-vous que le loquet n'est pas endommagé ou plié et qu'il fonctionne bien. La tension du ressort doit être suffisante pour qu'il repousse le verrou et le maintienne fermement contre la pointe du crochet. Remp ou si les épaisseurs en "A", "B", "D" ou "E" sont inférieures aux dimensions indiquées au tableau (voir figure 3, page 4).

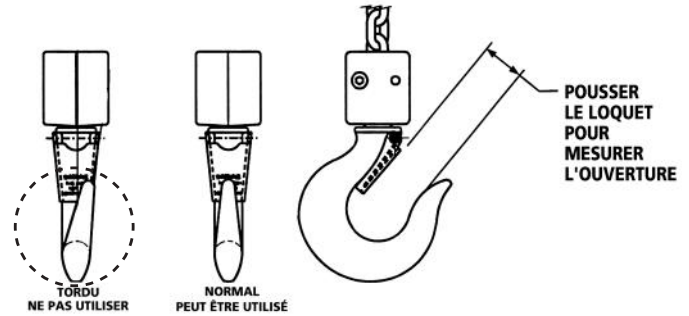


Figure 3 – Inspection du crochet

Capacité nominale du palan (Tonnes)	Dimensions critiques du crochet (mm)				
	A	B	C	D	E
1/2	15.3	12.6	26.4	9.9	5.4
1	19.8	17.1	31.9	13.5	5.8
2	27.0	19.8	38.5	17.0	8.1
3	34.2	27.0	44.0	19.5	8.9
5	40.5	33.3	51.7	28.0	12.0
10	61.2	45.0	74.8	32.2	17.0
15	3.012	1.984	2.267	1.605	0.474
20	3.012	1.984	2.267	1.605	0.474

CHAÎNE DE LEVAGE

La chaîne doit s'engager facilement dans le palan dans les deux directions. Si la chaîne bloque, saute ou est bruyante, vous devez en premier lieu la lubrifier (voir plus loin). Si le problème persiste, inspectez la chaîne et vérifiez l'usure, la distorsion ou l'endommagement des pièces du mécanisme s'y rapportant.

Inspection de la chaîne

Pour débiter, nettoyez la chaîne avec un solvant non acide/non corrosif et inspectez-la, maillon par maillon, pour détecter les encoches, marques, déformations, torsades, éclats de soudure, creux corrodés, stries (minuscules lignes parallèles), fissures dans les soudures, usure et élongation. Une chaîne ayant l'une ou l'autre de ces déficiences doit être remplacée.

Dégagez la portion de la chaîne qui passe normalement sur la roue de levage. Examinez la région de contact pour déterminer le point d'usure maximum (poli). Mesurez et enregistrez le diamètre du matériel à ce point du maillon. Mesurez ensuite le diamètre du matériel au même endroit d'un maillon qui ne passe pas sur la roue de levage (sélectionner le maillon adjacent au joint de bout libre). Comparez ensuite ces deux mesures; si le matériel du maillon usé a une usure plus grande que 0,254 mm comparativement à celui du maillon non usé. La chaîne doit être remplacée.

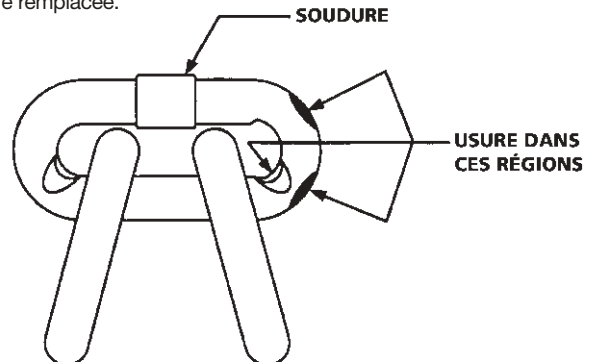


Figure 4 – Inspection de la chaîne

ENTRETIEN (SUITE)

Vérifiez également l'élongation de la chaîne avec un vernier à coulisse comme illustré à la figure 5. Choisissez une section non usée, non étirée de la chaîne (généralement à l'extrémité libre) et mesurez/enregistrez la longueur de 11 maillons (pas) de chaîne. Prenez et enregistrez la même mesure sur une section usée; si l'élongation est supérieure à 3,683 mm, la chaîne doit être remplacée.

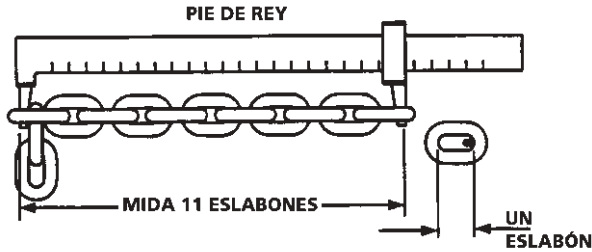


Figure 5 - Inspection de la chaîne

Pour éliminer la possibilité d'erreur de mesure de la pleine longueur, utilisez seulement un vernier à "pointe-tranchante".

⚠ AVERTISSEMENT

L'utilisation de chaînes de levage autres que celles provenant de CM® peut occasionner un blocage dans le palan ou possiblement un bris de chaîne, ce qui causerait la chute de la charge.

POUR ÉVITER LES BLESSURES:

Utilisez seulement des chaînes provenant de CM® conjointement avec vos palans CM® Hurricane 360 pour respecter leurs besoins de dimensionnement et de caractéristiques physiques.

Une chaîne usée peut être une indication de pièces de palan usées. Pour cette raison, l'usure du guide de chaîne, du dénudeur et de la roue de levage devraient être vérifiées et, besoin étant, être remplacées en même temps que la chaîne usée (voir DÉMONTAGE et ASSEMBLAGE à la page 6.)

De plus, la chaîne est spécialement traitée et revenue thermiquement et ne doit jamais être réparée.

IMPORTANT: N'utilisez pas une chaîne qui a été remplacée à d'autres fins de levage et halage. La chaîne peut soudainement se briser, même si elle n'a aucune déformation visuelle. Pour cette raison coupez la chaîne qui a été remplacée en sections courtes pour prévenir son utilisation et mettez la au rebut.

NOTE: La méthode d'inspection de la chaîne décrite ci-haut peut également être utilisée pour inspecter la chaîne d'actionnement pour vérifier son usure et étirement.

Lubrification de la chaîne

Une faible quantité de lubrifiant prolongera grandement la vie de la chaîne de levage. Ne laissez pas la chaîne fonctionner à sec. Gardez-la propre et lubrifiez-la régulièrement avec le lubrifiant "Lubriplate® Bar and Chain Oil" 10-R (Fiske Bros. Refining Co.) ou un équivalent. Normalement, un nettoyage et une lubrification hebdomadaire sont suffisants, mais dans des environnements chauds et sales, il peut être nécessaire de nettoyer la chaîne ou moins une fois par jour et de la lubrifier plusieurs fois entre les nettoyages. Le lubrifiant doit être appliqué en quantité suffisante pour obtenir la couverture totale, spécialement dans les intersections des maillons jusqu'à ce qu'il y ait coulage naturel.

⚠ AVERTISSEMENT

Les huiles moteur usagées contiennent des substances cancérigènes connues.

POUR ÉVITER LES BLESSURES:

N'utilisez jamais des huiles moteur usées comme lubrifiant à chaîne. N'utilisez que le lubrifiant "Lubriplate® Bar and Chain Oil" 10-R pour la chaîne de levage

LUBRIFICATION

Los polipastos no requieren una lubricación adicional excepto Le palan ne nécessite normalement pas de lubrification additionnelle, sauf lorsqu'il a été démonté pour nettoyage ou réparation.

IMPORTANT: Le frein est conçu pour opérer à sec. N'utilisez aucune graisse ou lubrifiant sur les surfaces du frein. Lors de la lubrification des pièces adjacentes au frein, ne pas utiliser une quantité excessive de lubrifiant qui pourrait s'infiltrer jusqu'aux surfaces du frein.

⚠ AVERTISSEMENT

Toute graisse ou lubrifiant sur les surfaces du frein causera le glissement du frein et la perte de la commande de la charge ce qui pourrait causer des blessures et/ou des dégâts matériels.

POUR ÉVITER LES BLESSURES:

Ne pas mettre de graisse ou de lubrifiant sur les surfaces du frein. Le frein est conçu pour opérer à sec.

Si le palan est démonté pour être entretenu, réparé ou inspecté, enlever et bien nettoyer toute la graisse existante du palan et la remplacer par environ 1 once de graisse Poliplex 2 (Century Lubricants Co.) ou un lubrifiant équivalent qu'on appliquera sur la surface extérieure de l'arbre d'entraînement, sur les pignons, les filets internes du moyeu du frein, sur la surcharge de la roue de levage (palan d'une demi-tonne), sur les douilles qui se trouvent à l'intérieur du couvercle des pignons et de la plaque latérale des pignons, sur les surfaces interne et externe des douilles du volant et sur le bord du couvercle du volant.

IMPORTANT: Pour assurer une longue vie et une performance optimale à votre palan, assurez-vous d'en lubrifier les différentes pièces avec les lubrifiants édictés ci haut. Si désiré, ces lubrifiants peuvent être commandés chez CM® (voir la figure 8, page 8).

REPLACEMENT DE LA CHAÎNE DE LEVAGE

Pour remplacer la chaîne de levage, défaites l'ensemble crochet inférieur (656-17) de la chaîne. Défaites la chaîne du joint de bout libre (656-7) et actionnez le palan en descente jusqu'à ce que la chaîne sorte du palan. Insérez un fil d'acier par dessus la roue de levage. Attachez le fil à la nouvelle chaîne de sorte que la chaîne s'introduise au centre du bâti du palan. Positionnez la chaîne de manière que le premier maillon à s'engager sur la roue de levage soit debout et que les joints soudés de tous les maillons dans cet axe soient du côté éloigné de la roue de levage. Tirez sur le fil jusqu'à ce que la chaîne s'engage sur la roue de levage. Faites tourner la roue de la chaîne d'actionnement jusqu'à ce que la chaîne de bout libre et attachez l'ensemble crochet inférieur à de sorte que le crochet inférieur soit directement en dessous du crochet du supérieur. Ajustez le frein (voir AJUSTEMENT DU FREIN, page 7) et installez la chaîne de levage (voir REMPLACEMENT DE LA CHAÎNE DE LEVAGE ci-haut). Le palan doit subir des essais d'opération après son remontage (voir ESSAIS, page 8). Pour remplacer le loquet de crochet, meulez la tête de son rivet de maintien et retirez le. Enlevez le loquet avec ressort et jetez le au rebut. Fixez le loquet et ressort neufs avec le goujon fourni dans le jeu pour loquet.

DÉMONTAGE ET ASSEMBLAGE

La liste des pièces et la vue éclatée des pages 12 et 13 indiquent la disposition générale et le nom des pièces du palan à chaîne manuel CM® Hurricane 360. Celles-ci doivent être utilisées lors du démontage et du remontage des palans pour que toutes les pièces soient bien installées.

1. Pour inspecter ou remplacer le disque de frein de charge, il est nécessaire de démonter partiellement le palan. Enlevez le capuchon de la roue d'actionnement (656-36) et le couvercle de la roue d'actionnement (656-35). Soulevez le couvercle de cette roue (656-34A) et faites-le glisser le long de la chaîne d'actionnement (656-31). Soulevez la chaîne d'actionnement hors des cavités où se trouve la roue (656-27). Enlevez la goupille fendue (656-33), l'écrou à créneaux (656-30) et la rondelle (656-29) de l'arbre d'entraînement (656-10). Enlevez l'accouplement de surcharge de la roue d'actionnement en tournant la roue d'actionnement (656-27) dans le sens contraire des aiguilles d'une montre. Inspectez le moyeu du frein (626-22) et remplacez-le s'il est trop usé (voir la section 3, ACCOUPLEMENT DE SURCHARGE DE LA ROUE D'ACTIONNEMENT). Faites glisser le disque de frein avant (656-26), le disque à cliquet (656-21) et le disque de frein arrière (656-26) hors du disque de pression (656-20). Enlevez la bague de retenue (656-41) et le disque de pression (656-20) en les tournant dans le sens contraire des aiguilles d'une montre. Inspectez les disques de frein (656-26) et remplacez-les s'ils sont excessivement usés, éraflés, noircis ou contaminés. Si le disque de frein est usé jusqu'à l'épaisseur suivante, il faut le remplacer:

Capacidad	Espesor mín. (mm)
1/2 -Ton, 1-Ton & 2-Ton	.043
3-Ton, 5-Ton & 10-Ton	.063
15-Ton, 20-Ton	.063

ENTRETIEN (SUITE)

Inspectez les surfaces du disque à cliquet (656-21) et du disque de friction (656-20). Remplacez-les si ces derniers sont trop usés.

Après avoir inspecté ou remplacé le disque de frein, remontez le palan en suivant dans l'ordre inverse les instructions données ci-dessus.

- Pour inspecter ou remplacer la roue de levage, le guide de chaîne ou le dénudeur, il faut démonter le palan. Enlevez la chaîne de levage (voir REMPLACEMENT DE LA CHAÎNE DE LEVAGE cidessus), puis enlevez le capuchon de la roue d'actionnement (656-36) et le couvercle de la roue d'actionnement (656-35). Soulevez le couvercle de cette même roue (656-34A) et faites-le glisser le long de la chaîne d'actionnement (656-31). Soulevez la chaîne d'actionnement hors des cavités où se trouve la roue (656-27). Enlevez la goupille fendue (656-33), l'écrou à créneaux (656-30) et la rondelle (656-29) de l'arbre d'entraînement (656-10). Enlevez l'accouplement de surcharge de la roue d'actionnement en tournant la roue d'actionnement (656-27) dans le sens contraire des aiguilles d'une montre. Faites glisser le disque de frein avant (656-26), le disque à cliquet (656-21) et le disque de frein arrière (656-26) hors du disque de pression (656-20). Enlevez la bague de retenue (656-41) et le disque de pression (656-20) en les tournant dans le sens contraire des aiguilles d'une montre. Enlevez la plaque latérale de la roue d'actionnement (656-9) en la faisant glisser au-dessus de l'arbre d'entraînement (656-10). Enlevez le dénudeur (656-6) et le guide de chaîne (656-5). Examinez le dénudeur, le guide de chaîne, la roue de levage (656-8) et le joint de bout libre (656-7) à la recherche de signes d'usure ou de dégât. Si le dénudeur, le guide de chaîne et/ou le joint de bout sont usés ou endommagés, ils doivent être remplacés. Si la roue de levage n'est ni usée ni endommagée, remontez le palan en effectuant dans l'ordre inverse les instructions ci-dessus. Si la roue de levage a besoin d'être remplacée, poursuivez le démontage du palan.

N. B.: bien observer les deux points suivants lors du démontage et du remontage des engrenages: a. Des rouleaux libres sont utilisés dans divers endroits de

- certaines unités. Il faut faire attention à ne pas les perdre et à les remettre au bon endroit.
- Pour un bon fonctionnement, le nombre correct de rouleaux doit être installé aux points tournants. L'application de graisse sur les rouleaux aide à les maintenir en place pendant le montage.

Enlevez le couvercle d'engrenage (656-1), les couvercles d'extrémité (656-4) et les engrenages (656-12A et 656-12B). Enlevez l'arbre d'entraînement (656-10) en le faisant glisser vers l'extérieur et en enlevant la bague de retenue (656-11B). Enlevez la rondelle (656-11A) et l'engrenage de la roue de levage (656-11). Enlevez la roue de levage (656-8) et remplacez-la. Il peut être nécessaire de pousser sur la roue de levage (656-8) pour l'extraire de ses roulements. Examinez les engrenages et les autres pièces pour voir s'ils sont excessivement usés, fissurés ou déformés. Remplacez les pièces au besoin, puis remontez l'unité dans l'ordre inverse des instructions indiquées ci-dessus. Installez la chaîne de charge en suivant les indications de la section « REMPLACEMENT DE LA CHAÎNE DE LEVAGE » ci-dessus. Une fois le palan remonté entièrement, il doit être testé afin de vérifier son bon fonctionnement (voir ESSAIS, page 8).

- ASSEMBLAGE DE L'ACCOUPLÉMENT DE SURCHARGE DE LA ROUE D'ACTIONNEMENT:** pour inspecter ou remplacer l'assemblage de l'accouplement de surcharge de la roue d'actionnement, il est nécessaire de démonter partiellement le palan. Enlevez le capuchon de la roue d'actionnement (656-36) et le support de couvercle de cette même roue (656-35). Soulevez le couvercle de la roue (656-34A) et faites-le glisser le long de la chaîne d'actionnement (656-31). Soulevez la chaîne d'actionnement hors des cavités où se trouve la roue (656-27). Enlevez la goupille fendue (656-33), l'écrou à créneaux (656-30) et la rondelle (656-29) de l'arbre d'entraînement (656-10). Enlevez l'accouplement de surcharge de la roue d'actionnement en tournant la roue d'actionnement (656-27) dans le sens contraire des aiguilles d'une montre. Utilisez un outil pour douilles de serrage (656-45, disponible chez CM Corp.) afin d'enlever l'écrou rainuré (656-25) du moyeu de frein de la roue d'actionnement (626-22). Faites glisser la rondelle Belleville (656-24), la plaque de pression (656-23), le disque de frein avant (656-26), la roue d'actionnement (656-27) et le disque de frein arrière (656-26) hors du moyeu de frein de la roue d'actionnement (626-22). Inspectez les deux disques de frein (656-26) et remplacez-les s'ils sont excessivement usés, éraflés, noircis ou contaminés. Si le disque de frein est usé jusqu'à l'épaisseur suivante, il faut le remplacer:

Capacidad	Espesor mín. (mm)
1/2 –Ton, 1-Ton y 2-Ton	.043
3-Ton, 5-Ton y 10-Ton	.063
15-Ton, 20-Ton	.063

Inspectez les surfaces de friction de la plaque de pression (656-23), de la roue d'actionnement (656-27) et du moyeu de frein de la roue d'actionnement (626-22). Remplacez ces derniers s'ils sont excessivement éraflés.

Remplacez les pièces au besoin, puis remontez l'unité dans l'ordre inverse des instructions indiquées ci-dessus. Une fois que l'accouplement de surcharge est monté, serrez l'écrou rainuré (656-25) à l'aide de l'outil pour douilles de serrage (656-45, disponible chez CM Corp.) en respectant les caractéristiques de couple suivantes

Capacidad	Torque (Nm)
1/2 –Ton	3.5
1-Ton	8.0
2-Ton	12.0
3-Ton	14.5
5-Ton	12.0
10-Ton	16.0
15-Ton	106
20-Ton	142

Ces valeurs de couple règlent l'accouplement de surcharge de la roue d'actionnement sur environ 125% de la capacité nominale. Ce réglage doit être vérifié une fois l'accouplement de surcharge de la roue d'actionnement monté dans le palan (voir RÉGLAGE DU LIMITEUR DE CHARGE).

- Pour inspecter ou remplacer le cliquet ou le ressort de cliquet, il faut démonter partiellement le palan. Enlevez le capuchon de la roue d'actionnement (656-36) et le support de couvercle de cette même roue (656-35). Soulevez le couvercle de la roue (656-34A) et faites-le glisser le long de la chaîne d'actionnement (656-31). Soulevez la chaîne d'actionnement hors des cavités où se trouve la roue (656-27). Enlevez la goupille fendue (656-33), l'écrou à créneaux (656-30) et la rondelle (656-29) de l'arbre d'entraînement (656-10). Enlevez l'accouplement de surcharge de la roue d'actionnement en tournant la roue d'actionnement (656-27) dans le sens contraire des aiguilles d'une montre. Enlevez la bague de retenue (656-42), le cliquet (656-43) et le ressort de cliquet (656-44) du bloc de la plaque latérale de la roue d'actionnement (656-9). Inspectez le cliquet (656-43) et le ressort à cliquet (656-43) pour voir s'il y a usure, puis remplacez-les si tel est le cas. Remplacez les pièces au besoin, puis remontez l'unité en effectuant dans l'ordre inverse les instructions ci-dessus. Une fois le palan remonté entièrement, il doit être testé afin de vérifier son bon fonctionnement (voir ESSAIS, page 8).
- Pour remplacer le loquet de crochet, meulez la tête de son rivet de maintien et retirez-le. Enlevez le loquet avec le ressort et jetez-le au rebut. Fixez le loquet et le ressort neufs à l'aide du goujon fourni dans le jeu pour loquet.

RÉGLAGE DU LIMITEUR DE CHARGE

Pour régler le limiteur de charge:

- Enlevez le palan de la structure porteuse et étendez-le sur une surface de travail plane, la roue d'actionnement orientée vers le haut.
- Enlevez les trois vis qui fixent le capuchon central en plastique, puis ôtez ce capuchon (656-36) du couvercle de la roue d'actionnement (656-34A).
- Bloquez la chaîne de charge en insérant un tournevis ou une goupille au travers de la chaîne de charge, juste audessous de l'armature du palan. Actionnez la roue d'actionnement vers le haut pour enlever le mou de la chaîne de charge et pour fermer et verrouiller le frein.
- Changez le réglage du limiteur de charge en serrant l'écrou rainuré (656-25) à l'aide de l'outil pour douilles de serrage (656-45, disponible chez CM Corp.) afin d'augmenter le réglage, ou en desserrant ce même écrou rainuré (656-25) afin de réduire le réglage.
- Après le réglage, effectuez les essais de charge requis (voir ESSAIS, page 8). Réviser le réglage au besoin. N. B.: le palan ne doit pas pouvoir soulever 150% de sa capacité de charge nominale si le limiteur de charge a été réglé correctement.
- Remplacer le capuchon central (656-36) dans le couvercle de la roue d'actionnement (656-34A).

ENTRETIEN (SUITE)

LUBRIFICATION

Si le palan est démonté en vue d'un entretien, d'une réparation ou d'une inspection, enlever et bien nettoyer toute la graisse existante du palan et la remplacer avec environ 1 once (30 g) de graisse Poliplex 2 (Century Lubricants Co.) ou un lubrifiant équivalent qu'on appliquera sur la surface extérieure de l'arbre d'entraînement, sur les pignons, sur les filets internes du moyeu du frein, sur la surface des manchons de la roue de levage (unités de 0,5 tonne), sur les manchons de la plaque latérale et du couvercle des pignons, sur la surface interne et externe des manchons de la roue d'actionnement et sur le bord du couvercle de la roue d'entraînement.

ENGRENAGES

Les engrenages (656-12A et 656-12B) n'ont pas besoin d'être minutés et, par conséquent, il n'est pas nécessaire qu'ils soient orientés dans une certaine direction lors de leur montage. Cependant, pour le bon fonctionnement des unités de 1/2, 1, 3, 5 et 10 tonnes, un engrenage marqué « A » et un autre engrenage marqué « B » doivent être utilisés.

ENTRETIEN PRÉVENTIF

En plus des procédures d'inspection, un programme d'entretien préventif devrait être établi pour prolonger la vie du palan et maintenir sa fiabilité et son service sécuritaire continu. Le programme devrait inclure les inspections périodiques en portant une attention particulière à la lubrification des divers composants en utilisant les lubrifiants recommandés (voir la figure 8).

ESSAIS

Tout palan qui a été réparé ou qui n'a pas été utilisé pendant 12 mois doit être éprouvé avant son utilisation régulière.

En premier lieu, essayer l'unité sans charge et ensuite avec une faible charge de 46 kg multiplié par le nombre de pièces ou chaînes qui chargent le support pour être sûr d'une opération adéquate et que le frein maintienne la charge lorsque la chaîne d'actionnement est relâchée; ensuite, éprouvez l'unité à 125% de sa capacité.

De plus, les palans dont les pièces supportant la charge ont été remplacées doivent être éprouvés à 125% de leur capacité sous la supervision d'une personne désignée et un rapport d'essai doit être rédigé pour référence.

PIÈCES DÉTACHÉES RECOMMANDÉES

Ensemble de cran d'arrêt	Ensemble de loquet supérieur
Ensemble de cliquet	Ensemble de loquet inférieur
Ensemble de module de crochet supérieur	Chaîne de levage
Ensemble de module de crochet inférieur	Chaîne à main

AVERTISSEMENT

Toute altération ou modification de l'équipement et l'utilisation de pièces autre que les pièces détachées du treuil manuel CM Hurricane 360 peut causer un fonctionnement dangereux et des blessures.

POUR ÉVITER LES BLESSURES :

Ne pas altérer ni modifier l'équipement. Utiliser uniquement des pièces détachées fournies par CM Hurricane 360.

RAPPORT D'INSPECTION			
ARTICLE	REMARQUES (DÉCRIRE LES DÉFAUTS ET LES ACTIONS RECOMMANDÉES)		
Signature	Date de Inspection	Approuvé	Date

Figure 6 – Rapport d'inspection Recommandé

CÉDULE DE LUBRIFICATION RECOMMANDÉE * PALANS MANUELS CM® HURRICANE 360						
RÉFÉRENCE (VOIR LES PAGES 12 ET 13)	COMPOSANTES	TYPE DE LUBRIFIANT	NO. DE PIÈCE*	TYPE DE SERVICE ET FRÉQUENCE DE LUBRIFICATION		
656-28	Chaîne de levage	Huile Lubriplate® Bar and Chain #10-R	28619 (bidon 3,8 L)	DUR	RÉGULIER	ALLÉGÉ
				Journalier	Hebdomadaire	Mensual
656-11 656-12 656-13 656-17	Surfaces des engrenages et paliers, et boutons de crochets supérieur et inférieur	Poliplex 2	40630 (bidon 0,45 Kg)	Lorsque le palan est démonté pour nettoyage ou réparation		

* Cette cédule de lubrification est basée sur une opération dans un environnement normal. Les palans opérant dans des conditions atmosphériques adverses, de chaleur excessive, de vapeurs corrosives, de poussière abrasive etc., devraient être lubrifiés plus fréquemment.

** Voir les INSTRUCTIONS DE COMMANDE en page 11.

Figura 7 – Cédule de lubrification Recommandée

ENTRETIEN (SUITE)

LISTE D'INSPECTION ET D'ENTRETIEN PALAN MANUEL À LEVIER

Type de palan _____ Capacité (Tonnes) _____
 Localisation _____ Date d'installation initiale _____
 Manufacturier _____ No. de série _____

Article	Intervalle d'inspection		Défectuosités possibles	OK	Action requise
	Fréquente	Périodique			
	Journalière	Chaque 3 mois			
Mécanisme de frein	*	*	Glissement ou jeu excessif. Disques de frein usés, polis ou contaminés. Épaisseur de la rondelle de frottement est moins que 0,8mm		
Roue d'actionnement	*	*	Tendue et ne bouge pas librement.		
Chaîne de levage	*	*	Lubrification inadéquate, usure ou étirement excessif, corrodée ou obstruée de matières étrangères, maillons fissurés, endommagés ou tordus.		
Crochets	*	*	Ouverture excessive, tordus de plus de 10 °, loquet endommagé ou non opérationnel, dommage par agents de contamination chimique, fissures (utiliser de la teinture pénétrante, méthode magnétique ou une autre méthode de détection appropriée au moins une fois l'an).		
Ensembles de crochets inférieur et supérieur, goujon de crochet supérieur, guide-chaîne, manchons, engrenages, pignon et plaque de frein		*	Fissures, distorsion, usure excessive, corrosion ou accumulation de matières étrangères.		
Pointe de l'activateur, butoirs intérieur et extérieur de la roue d'actionnement et pattes du moyeu du frein		*	Fissures, distorsion, usure excessive, corrosion ou accumulation de matières étrangères.		
Cavité de roue de levage, dénudeur et plaques latérales		*	Fissures, distorsion, usure excessive, corrosion ou accumulation de matières étrangères.		
Boulons /écrous /goujons / goupille fendue		*	Fissures, déviations, desserrage, filets endommagés.		
Ressort de frein		*	Corrosion, étirement ou bris.		
Joint de bout libre de chaîne		*	Absent, fissuré, non retenu fermement à la chaîne, non localisé correctement.		
Plaque signalétique, étiquettes et tube d'avertissement		*	Absents, endommagés ou non lisibles.		

NOTE: Pour plus d'information consultez les sections Inspection et entretien de ce manuel.

INTERVALLE D'INSPECTION

- Fréquente indique les items nécessitant une inspection journalière ou bien avant chaque utilisation. Ces inspections peuvent être effectuées par l'opérateur s'il a reçu les instructions appropriées.

- Périodique indique les pièces nécessitant une inspection à tous les trois mois qui doivent être effectuées par ou sous la supervision de personnes proprement entraînées. L'intervalle d'inspection dépendra de la fréquence et du type d'usage. La détermination de cet intervalle sera basé sur l'expérience de l'utilisateur. Il est recommandé de débiter par une inspection trimestrielle et l'étendre selon l'expérience à un intervalle semi-annuel ou annuel

NOTE: Cette liste d'inspection et d'entretien est selon notre interprétation des exigences de la norme "Safety Standard for Overhead Hoists" ASME B30.16. Il est cependant la responsabilité ultime de l'employeur/utilisateur d'interpréter et de se conformer aux exigences applicables de cette norme de sécurité. Figura 8 – Lista de comprobación de mantenimiento e inspección recomendada

Figure 8 – Liste d'inspection et d'entretien recommandée.

TABLEAU DE DÉPISTAGE

Symptôme	Cause(s) possible(s)	Action corrective
1. Palan difficile à opérer dans les deux directions.	<ol style="list-style-type: none"> 1. Chaîne de levage excède les tolérances d'usure et bloque entre la roue de levage et le guidechaîne. 2. Chaîne de levage rouillée, corrodée ou bloquée avec matière étrangère telle ciment ou boue. 3. Chaîne de levage endommagée. 4. Roue de levage. 5. Chaîne d'actionnement manuel excède les tolérances d'usure et de ce fait, bloque entre la roue d'actionnement et le couvercle. 6. Roue d'actionnement manuel obstruée avec des matières étrangères ou excessivement usée, causant le coincement de la chaîne entre la roue d'actionnement et le couvercle. 7. Roue de levage ou dents d'engrenage déformées. 	<ol style="list-style-type: none"> 1. Vérifiez la chaîne, (voir p. 5) et remplacez-la si elle est excessivement usée. 2. Nettoyer la chaîne par polissage à friction ou en utilisant un solvant non caustique. Vérifiez si la chaîne comporte des éraflures, des maillons endommagés pliés. Lubrifiez avec l'huile Lubriplate® Bar and Chain Oil 10-R (Fiske Bros Refining Co) ou un équivalent. 3. Vérifiez si la chaîne a des encoches, gouges, possède des maillons pliés ou tordus. Remplacez la si elle est endommagée. 4. Nettoyez les cavités. Remplacez la si nécessaire. 5. Vérifiez le dimensionnement de la chaîne (Voir p. 5). 6. Nettoyez les cavités. Remplacez la roue si elle est excessivement usée. 7. Une surcharge excessive a été appliquée. Remplacez les pièces endommagées.
2. Le palan est difficile à opérer en direction vers le bas..	<ol style="list-style-type: none"> 1. Des pièces du frein sont corrodées ou enduites de matières étrangères. 2. Frein non ajusté. 3. Coincement de la chaîne 	<ol style="list-style-type: none"> 1. Démontez le frein et nettoyez à fond (avec un chiffon, non par lavage dans un solvant). Remplacez le disque de frein s'il est collant, visiblement usé, ou enduit de matières étrangères. Garder les surfaces du disque et du frein propres et sèches. 2. Réajustez le frein (Voir la page 7) 3. Voir les articles 1A, 1B et 1C.
3. Le palan est difficile à opérer en direction vers le haut.	<ol style="list-style-type: none"> 1. Coincement de la chaîne. 	<ol style="list-style-type: none"> 1. Voir les articles 1A, 1B et 1C.
4. Le frein ne fonct. pas dans l'une ou l'autre direction.	<ol style="list-style-type: none"> 1. Butoirs d'arrêt ou activateur brisés. 2. Engrenages coincés 	<ol style="list-style-type: none"> 1. Remplacez la/les pièce(s) endommagée(s) 2. Vérifiez s'il y a des matières étrangères entre les dents d'engrenage.
5. Le palan ne fonctionne pas en direction vers le bas.	<ol style="list-style-type: none"> 1. Frein verrouillé à cause d'une charge soudainement appliquée, d'un à coup, ou l'enlèvement de la charge d'autre façon que la descente du crochet. 2. Coincement de la chaîne 3. Crochet inférieur descendu au plus bas et la chaîne sortie au maximum. 	<ol style="list-style-type: none"> 1. Pour dégager le frein, gardez la chaîne tendue avec sa charge et tirez rapidement sur la chaîne d'actionnement vers le bas. 2. Voir les articles 1A, 1B et 1C. 3. La chaîne se bande entre la roue de levage et le joint de bout libre. N'actionnez le palan que vers le haut.
6. Le palan ne fonct. pas en direction vers le haut.	<ol style="list-style-type: none"> 1. Coincement de la chaîne 2. Surcharge 	<ol style="list-style-type: none"> 1. Voir les articles 1A, 1B et 1C 2. Si la roue d'actionnement manuel glisse tout en fonctionnant, réduisez la charge ou utilisez un palan de capacité adéquate.
7. Le palan ne maintient pas la charge en suspension.	<ol style="list-style-type: none"> 1. Le crochet inférieur ou le côté de charge de la chaîne est du mauvais côté de la roue de levage. 2. Le frein n'est pas correctement ajusté. 3. Butoirs d'arrêt ou activateur brisés. 4. Pièces de frein usées 5. Corrosion, huile ou saleté aux endroits de friction du frein. 	<ol style="list-style-type: none"> 1. Mettez le crochet inférieur du même côté que le crochet supérieur sur la roue de levage. 2. Réajustez le frein (Voir page 7). 3. Remplacez la/les pièce(s) endommagée(s). 4. Remplacez les pièces de frein qui sont usées. 5. Voir article 2A.

LISTE DES PIÈCES DÉTACHÉES 1/2 TONNE - 10 TONNE

DIRECTIVES POUR COMMANDER: Les renseignements suivants doivent accompagner toute correspondance et commande de pièces détachées.

1. Charge maximale du treuil tel qu'indiqué sur la plaque signalétique.
2. Numéro de série du treuil tel qu'indiqué sur la plaque signalétique.
3. Longueur de la chaîne de levage.
4. Numéro de la pièce principale selon la liste des pièces.
5. Nombre de pièces requises.
6. Nom de la pièce selon la liste des pièces.
7. Numéro de référence de la pièce selon la liste des pièces.

Référence pièce	Numéro d'article	Description	Qté
360-0001		Ensemble d'engrenage 360 0.5T	
-	656-11	Engrenage de roue de levage	1
-	656-11A	Rondelle	1
-	656-11B	Bague de positionnement	2
-	656-12A	Ensemble d'engrenage de réduction -A-	1
-	656-12B	Ensemble d'engrenage de réduction -B-	1
-	656-10	Arbre d'entraînement	1
360-0002		Ensemble d'engrenage 360 1T	
-	656-11	Engrenage de roue de levage	1
-	656-11A	Rondelle	1
-	656-11B	Bague de positionnement	2
-	656-12A	Ensemble d'engrenage de réduction -A-	1
-	656-12B	Ensemble d'engrenage de réduction -B-	1
-	656-10	Arbre d'entraînement	1
360-0003		Ensemble d'engrenage 360 2T	
-	656-11	Engrenage de roue de levage	1
-	656-11A	Rondelle	1
-	656-11B	Bague de positionnement	2
-	656-12A	Ensemble d'engrenage de réduction -A-	1
-	656-12B	Ensemble d'engrenage de réduction -B-	1
-	656-10	Arbre d'entraînement	1
360-0004		Ensemble d'engrenage 360 3T - 10T	
-	656-11	Engrenage de roue de levage	1
-	656-11A	Rondelle	1
-	656-11B	Bague de positionnement	2
-	656-12A	Ensemble d'engrenage de réduction -A-	1
-	656-12B	Ensemble d'engrenage de réduction -B-	1
-	656-10	Arbre d'entraînement	1
360-0010		Ensemble de roue de levage 360 0.5T	
-	656-8	Ensemble de roue de levage	1
-	656-18	Roulement de roue de levage	2
360-0011		Ensemble de roue de levage 360 1T	
-	656-8	Ensemble de roue de levage	1
-	656-18	Roulement de roue de levage	2
360-0012		Ensemble de roue de levage 360 2T	
-	656-8	Ensemble de roue de levage	1
-	656-18	Roulement de roue de levage	2
360-0013		Ensemble de roue de levage 360 3T - 10T	
-	656-8	Ensemble de roue de levage	1
-	656-18	Roulement de roue de levage	2
360-0020		Ensemble de plaque latérale 360 (d'engrenage) 0.5T	
-	656-2	Plaque latérale d'engrenage	1
-	656-4	Ensemble de couvercle d'extrémité	1
360-0020A		Ensemble de plaque latérale 360 (roue d'actionnement) 0.5T	
-	656-4	Ensemble de couvercle d'extrémité	1
-	656-9	Ensemble de plaque latérale de roue d'actionnement	1
360-0021		Ensemble de plaque latérale 360 (d'engrenage) 1T	
-	656-2	Plaque latérale d'engrenage	1
-	656-4	Ensemble de couvercle d'extrémité	1
360-0021A		Ensemble de plaque latérale 360 (roue d'actionnement) 1T	
-	656-4	Ensemble de couvercle d'extrémité	1
-	656-9	Ensemble de plaque latérale de roue d'actionnement	1
360-0022		Ensemble de plaque latérale 360 (d'engrenage) 2T	
-	656-2	Plaque latérale d'engrenage	1
-	656-4	Ensemble de couvercle d'extrémité	1
360-0022A		Ensemble de plaque latérale 360 (roue d'actionnement) 2T	
-	656-4	Ensemble de couvercle d'extrémité	1
-	656-9	Ensemble de plaque latérale de roue d'actionnement	1
360-0023		Ensemble de plaque latérale 360 (d'engrenage) 3T - 10T	
-	656-2	Plaque latérale d'engrenage	1
-	656-4	Ensemble de couvercle d'extrémité	1

Référence pièce	Numéro d'article	Description	Qté
360-0023A		Ensemble de plaque latérale 360 (roue d'actionnement) 3T - 10T	
-	656-4	Ensemble de couvercle d'extrémité	1
-	656-9	Ensemble de plaque latérale de roue d'actionnement	1
360-0030		Ensemble de dénuéur 360 0.5T	
-	656-5	Guide-chaîne	1
-	656-6	Dénuéur de chaîne	1
-	656-7	Ensemble de joint de bouts libres	1
360-0031		Ensemble de dénuéur 360 1T	
-	656-5	Guide-chaîne	1
-	656-6	Dénuéur de chaîne	1
-	656-7	Ensemble de joint de bouts libres	1
360-0032		Ensemble de dénuéur 360 2T	
-	656-5	Guide-chaîne	1
-	656-6	Dénuéur de chaîne	1
-	656-7	Ensemble de joint de bouts libres	1
360-0033		Ensemble de dénuéur 360 3T - 10 T	
-	656-5	Guide-chaîne	1
-	656-6	Dénuéur de chaîne	1
-	656-7	Ensemble de joint de bouts libres	1
360-0050		Ensemble de roue d'actionnement 360 0.5T	
-	656-27	Roue d'actionnement	1
-	656-37	Tube de sécurité	1
360-0051		Ensemble de roue d'actionnement 360 1T	
-	656-27	Roue d'actionnement	1
-	656-37	Tube de sécurité	1
360-0052		Ensemble de roue d'actionnement 360 2T	
-	656-27	Roue d'actionnement	1
-	656-37	Tube de sécurité	1
360-0053		Ensemble de roue d'actionnement 360 3T - 10T	
-	656-27	Roue d'actionnement	1
-	656-37	Tube de sécurité	1
360-0070A		Ensemble de cliquet 360 0.5T - For Serial Numbers BEFORE 151100620	
-	656-20	Disque de pression	1
-	656-21	Ensemble de disque de cliquet	1
-	656-22	Handwheel Brake Hub	1
-	656-26	Disque de friction	3
-	656-41	Anneau de retenue	1
-	656-9	Support de couvercle de roue d'actionnement	1
360-0070		Ensemble de cliquet 360 0.5T - For Serial Numbers AFTER 151100620	
-	656-20	Disque de pression	1
-	656-21	Ensemble de disque de cliquet	1
-	656-22	Moyeu du frein de roue d'actionnement	1
-	656-26	Disque de friction	4
-	656-41	Anneau de retenue	1
360-0071		Ensemble de cliquet 360 1T - For Serial Numbers BEFORE 150808997A	
-	656-20	Disque de pression	1
-	656-21	Ensemble de disque de cliquet	1
-	656-22	Moyeu du frein de roue d'actionnement	1
-	656-26	Disque de friction	4
-	656-41	Anneau de retenue	1
-	656-9	Support de couvercle de roue d'actionnement	1
360-0074		Ensemble de cliquet 360 1T - For Serial Numbers AFTER 150808997A	
-	656-20	Disque de pression	1
-	656-21	Ratchet Disc	1
-	656-22	Moyeu du frein de roue d'actionnement	1
-	656-26	Disque de friction	4
-	656-41	Anneau de retenue	1
360-0072		Ensemble de cliquet 360 2T	
-	656-20	Disque de pression	1
-	656-21	Ensemble de disque de cliquet	1
-	656-22	Moyeu du frein de roue d'actionnement	1
-	656-26	Disque de friction	4

LISTE DES PIÈCES DÉTACHÉES 1/2 TONNE - 10 TONNE (SUITE)

Référence pièce	Numéro d'article	Description	Qté
-	656-41	Anneau de retenue	1
360-0073		Ensemble de cliquet 360 3T - 10T	
-	656-20	Disque de pression	1
-	656-21	Ensemble de disque de cliquet	1
-	656-22	Moyeu du frein de roue d'actionnement	1
-	656-26	Disque de friction	4
-	656-41	Anneau de retenue	1
360-0080		Ensemble de couvercle de frein 360 0.5T	
-	656-19	Ensemble de quincaillerie du couvercle	1
-	656-34A	Module de couvercle de roue d'actionnement	1
-	656-35	Support de couvercle de roue d'actionnement	1
-	656-36	Capuchon, ensemble CM (avec vis de douille)	1
360-0081		Ensemble de couvercle de frein 360 1T	
-	656-19	Ensemble de quincaillerie du couvercle	1
-	656-34A	Module de couvercle de roue d'actionnement	1
-	656-35	Support de couvercle de roue d'actionnement	1
-	656-36	Capuchon, ensemble CM (avec vis de douille)	1
360-0082		Ensemble de couvercle de frein 360 2T	
-	656-19	Ensemble de quincaillerie du couvercle	1
-	656-34A	Module de couvercle de roue d'actionnement	1
-	656-35	Support de couvercle de roue d'actionnement	1
-	656-36	Capuchon, ensemble CM (avec vis de douille)	1
360-0083		Ensemble de couvercle de frein 360 3T - 10T	
-	656-19	Ensemble de quincaillerie du couvercle	1
-	656-34A	Module de couvercle de roue d'actionnement	1
-	656-35	Support de couvercle de roue d'actionnement	1
-	656-36	Capuchon, ensemble CM (avec vis de douille)	1
360-0084		Ensemble de couvercle d'engrenage 360 0.5T	
-	656-1	Couvercle d'engrenage avec garnitures d'étanchéité	1
-	656-19	Ensemble de quincaillerie du couvercle	1
-	656-38	Ensemble d'étiquettes de mise en garde (3 étiquettes)	1
-	656-39	Ensemble de plaque signalétique (avec clou-vis)	1
360-0085		Ensemble de couvercle d'engrenage 360 1T	
-	656-1	Couvercle d'engrenage avec garnitures d'étanchéité	1
-	656-19	Ensemble de quincaillerie du couvercle	1
-	656-38	Ensemble d'étiquettes de mise en garde (3 étiquettes)	1
-	656-39	Ensemble de plaque signalétique (avec clou-vis)	1
360-0086		Ensemble de couvercle d'engrenage 360 2T	
-	656-1	Couvercle d'engrenage avec garnitures d'étanchéité	1
-	656-19	Ensemble de quincaillerie du couvercle	1
-	656-38	Ensemble d'étiquettes de mise en garde (3 étiquettes)	1
-	656-39	Ensemble de plaque signalétique (avec clou-vis)	1
360-0087		Ensemble de couvercle d'engrenage 360 3T	
-	656-1	Couvercle d'engrenage avec garnitures d'étanchéité	1
-	656-19	Ensemble de quincaillerie du couvercle	1
-	656-38	Ensemble d'étiquettes de mise en garde (Anglais)	1
-	656-38	Ensemble d'étiquettes de mise en garde (Français)	1
-	656-38	Ensemble d'étiquettes de mise en garde (Espagnol)	1
-	656-39	Ensemble de plaque signalétique (avec clou-vis)	1
-	N/S	Ensemble de rouleaux	1
360-0088		Ensemble de couvercle d'engrenage 360 5T	
-	656-1	Couvercle d'engrenage avec garnitures d'étanchéité	1
-	656-19	Ensemble de quincaillerie du couvercle	1
-	656-38	Ensemble d'étiquettes de mise en garde (Anglais)	1
-	656-38	Ensemble d'étiquettes de mise en garde (Français)	1
-	656-38	Ensemble d'étiquettes de mise en garde (Espagnol)	1
-	656-39	Ensemble de plaque signalétique (avec clou-vis)	1
-	N/S	Ensemble de rouleaux	1
360-0089		Ensemble de couvercle d'engrenage 360 10T	
-	656-1	Couvercle d'engrenage avec garnitures d'étanchéité	1
-	656-19	Ensemble de quincaillerie du couvercle	1
-	656-38	Ensemble d'étiquettes de mise en garde (Anglais)	1
-	656-38	Ensemble d'étiquettes de mise en garde (Français)	1
-	656-38	Ensemble d'étiquettes de mise en garde (Espagnol)	1
-	656-39	Ensemble de plaque signalétique (avec clou-vis)	1
-	N/S	Ensemble de rouleaux	1
360-0090		Ensemble de quincaillerie 360 0.5T	
-	656-19	Ensemble de quincaillerie du couvercle	1
-	656-25	Écrou rainuré	1
-	656-29	Rondelle	1
-	656-30	Écrou à créneaux	1
-	656-33	Goupille fendue	1

Référence pièce	Numéro d'article	Description	Qté
360-0091		Ensemble de quincaillerie 360 1T	
-	656-19	Ensemble de quincaillerie du couvercle	1
-	656-25	Écrou rainuré	1
-	656-29	Rondelle	1
-	656-30	Écrou à créneaux	1
-	656-33	Goupille fendue	1
360-0092		Ensemble de quincaillerie 360 2T	
-	656-19	Ensemble de quincaillerie du couvercle	1
-	656-25	Écrou rainuré	1
-	656-29	Rondelle	1
-	656-30	Écrou à créneaux	1
-	656-33	Goupille fendue	1
360-0093		Ensemble de quincaillerie 360 3T - 10T	
-	656-19	Ensemble de quincaillerie du couvercle	1
-	656-25	Écrou rainuré	1
-	656-29	Rondelle	1
-	656-30	Écrou à créneaux	1
-	656-33	Goupille fendue	1
360-0100		Ensemble de cran d'arrêt 360 0.5T - 1T	
-	656-42	Anneau de retenue	2
-	656-43	Cran d'arrêt	2
-	656-44	Ressort (ressort de cran d'arrêt)	2
360-0101		Ensemble de cran d'arrêt 360 2T	
-	656-42	Anneau de retenue	2
-	656-43	Cran d'arrêt	2
-	656-44	Ressort (ressort de cran d'arrêt)	2
360-0102		Ensemble de cran d'arrêt 360 3T - 10T	
-	656-42	Anneau de retenue	2
-	656-43	Cran d'arrêt	2
-	656-44	Ressort (ressort de cran d'arrêt)	
360-0110		Embrayage de surcharge de roue d'actionnement 360 0.5T	
-	656-23	Disque de pression	1
-	656-24	Rondelle à ressort Belleville	1
-	656-25	Écrou rainuré	1
-	656-26	Disque de friction	1
-	656-29	Rondelle	1
-	656-30	Écrou à créneaux	1
-	656-33	Goupille fendue	
360-0111		Embrayage de surcharge de roue d'actionnement 360 1T	
-	656-23	Disque de pression	1
-	656-24	Rondelle à ressort Belleville	1
-	656-25	Écrou rainuré	1
-	656-26	Disque de friction	1
-	656-29	Rondelle	1
-	656-30	Écrou à créneaux	1
-	656-33	Goupille fendue	
360-0112		Embrayage de surcharge de roue d'actionnement 360 2T	
-	656-23	Disque de pression	1
-	656-24	Rondelle à ressort Belleville	1
-	656-25	Écrou rainuré	1
-	656-26	Disque de friction	1
-	656-29	Rondelle	1
-	656-30	Écrou à créneaux	1
-	656-33	Goupille fendue	
360-0113		Embrayage de surcharge de roue d'actionnement 360 3T & 10T	
-	656-23	Disque de pression	1
-	656-24	Rondelle à ressort Belleville	1
-	656-25	Écrou rainuré	1
-	656-26	Disque de friction	1
-	656-29	Rondelle	1
-	656-30	Écrou à créneaux	1
-	656-33	Goupille fendue	
360-0114		Embrayage de surcharge de roue d'actionnement 360 5T	
-	656-23	Disque de pression	1
-	656-24	Rondelle à ressort Belleville	1
-	656-25	Écrou rainuré	1
-	656-26	Disque de friction	1
-	656-29	Rondelle	1
-	656-30	Écrou à créneaux	1
-	656-33	Goupille fendue	

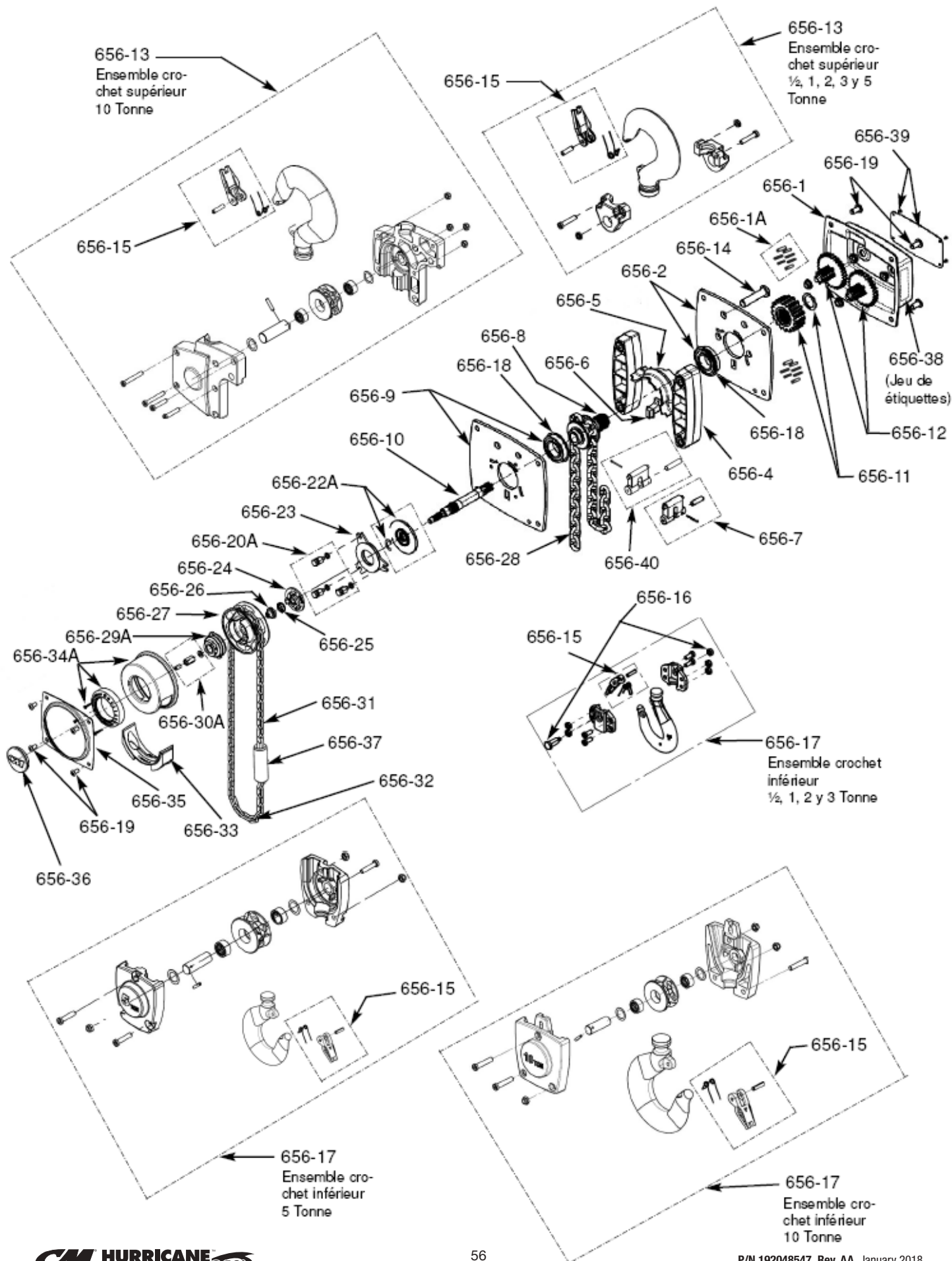
FRANÇAIS

LISTE DES PIÈCES DÉTACHÉES 1/2 TONNE - 10 TONNE (SUITE)

Référence pièce	Numéro d'article	Description	Qté
360-0120		Ensemble de module de crochet supérieur 360 0.5T	
-	656-13	Module de crochet supérieur	1
-	656-14	Goupille de crochet supérieur	1
360-0121		Ensemble de module de crochet supérieur 360 1T	
-	656-13	Module de crochet supérieur	1
-	656-14	Goupille de crochet supérieur	1
360-0122		Ensemble de module de crochet supérieur 360 2T	
-	656-13	Module de crochet supérieur	1
-	656-14	Goupille de crochet supérieur	1
360-0123		Ensemble de module de crochet supérieur 360 3T	
-	656-13	Module de crochet supérieur	1
-	656-14	Goupille de crochet supérieur	1
360-0124		Ensemble de module de crochet supérieur 360 5T	
-	656-13	Module de crochet supérieur	1
-	656-14	Goupille de crochet supérieur	1
360-0125		Ensemble de module de crochet supérieur 360 10T	
-	656-13	Module de crochet supérieur	1
-	656-14	Goupille de crochet supérieur	1
360-0130		Ensemble de module de crochet inférieur 360 0.5T	
-	656-17	Module de crochet inférieur	1
360-0131		Ensemble de module de crochet inférieur 360 1T	
-	656-17	Module de crochet inférieur	1
360-0132		Ensemble de module de crochet inférieur 360 2T	
-	656-17	Module de crochet inférieur	1
360-0133		Ensemble de module de crochet inférieur 360 3T	
-	656-17	Module de crochet inférieur	1
360-0134		Ensemble de module de crochet inférieur 360 5T	
-	656-17	Module de crochet inférieur	1
360-0135		Ensemble de module de crochet inférieur 360 10T	
-	656-17	Module de crochet inférieur	1
85826	656-28	Chaîne de levage 0.5T	1
85789	656-28	Chaîne de levage 1T	1
635232	656-28	Chaîne de levage 2T	1
85962	656-28	Chaîne de levage 3T - 5T	1
85962	656-28	Chaîne de levage 10T	1
00400354	656-14	Arbre de crochet supérieur 0.5T	1
00400270	656-14	Arbre de crochet supérieur 1T	1
00400307	656-14	Arbre de crochet supérieur 2T	1
00400482	656-14	Arbre de crochet supérieur 3T & 10 T	1
00400514	656-14	Arbre de crochet supérieur 5T	1
04307654ZPY	656-31	Chaîne à main	1
00401421	656-45	Outil pour douilles de serrage 0.5T	1
00401422	656-45	Outil pour douilles de serrage 1T	1
00401423	656-45	Outil pour douilles de serrage 2T	1
00401424	656-45	Outil pour douilles de serrage 3T - 10T	1
00400449	656-15	Ensemble de loquet 0.5T	1
00400450	656-15	Ensemble de loquet 1T	1
00400451	656-15	Ensemble de loquet 2T	1
00400647	656-15	Ensemble de loquet 3T	1
65600004	656-15	Ensemble de loquet 5T	1
65600005	656-15	Ensemble de loquet 10T	1
65600022	656-40	Ensemble d'ancrage de chaîne de levage 5T	1
04307654CZPY	656-32	Maillon de jonction de chaîne à main	1
00401378	656-39	Ensemble de plaque signalétique (avec clou-vis) 0.5T	1
00401379	656-39	Ensemble de plaque signalétique (avec clou-vis) 1T	1
00401380	656-39	Ensemble de plaque signalétique (avec clou-vis) 2T	1
00401382	656-39	Ensemble de plaque signalétique (avec clou-vis) 3T	1
00401383	656-39	Ensemble de plaque signalétique (avec clou-vis) 5T	1
00401384	656-39	Ensemble de plaque signalétique (avec clou-vis) 10T	1
56814	656-38	Warning Label Kit (3 labels) 0.5T	1

Référence pièce	Numéro d'article	Description	Qté
56815	656-38	Warning Label Kit (3 labels) 1T	1
56816	656-38	Warning Label Kit (3 labels) 2T	1
8020300010Y	656-38	Ensemble d'étiquettes de mise en garde (Anglais) 3T	1
80203001V1Y	656-38	Ensemble d'étiquettes de mise en garde (Espagnol) 3T	1
80203001V2Y	656-38	Ensemble d'étiquettes de mise en garde (français) 3T	1
8020500010Y	656-38	Ensemble d'étiquettes de mise en garde (Anglais) 5T	1
80205001V1Y	656-38	Ensemble d'étiquettes de mise en garde (Espagnol) 5T	1
80205001V2Y	656-38	Ensemble d'étiquettes de mise en garde (français) 5T	1
8021000010Y	656-38	Ensemble d'étiquettes de mise en garde (Anglais) 10T	1
8021000020Y	656-38	Ensemble d'étiquettes de mise en garde (Espagnol) 10T	1
8021000030Y	656-38	Ensemble d'étiquettes de mise en garde (français) 10T	1
00400756	N/S	Ensemble de rouleaux	1

ÉCLATÉ-PALAN MANUEL CM®HURRICANE 360



FRANÇAIS

LISTE DES PIÈCES DE PALAN MANUEL À CHAÎNE DE MODÈLE HURRICANE 360° CM® - 15 TONNES - 20 TONNES

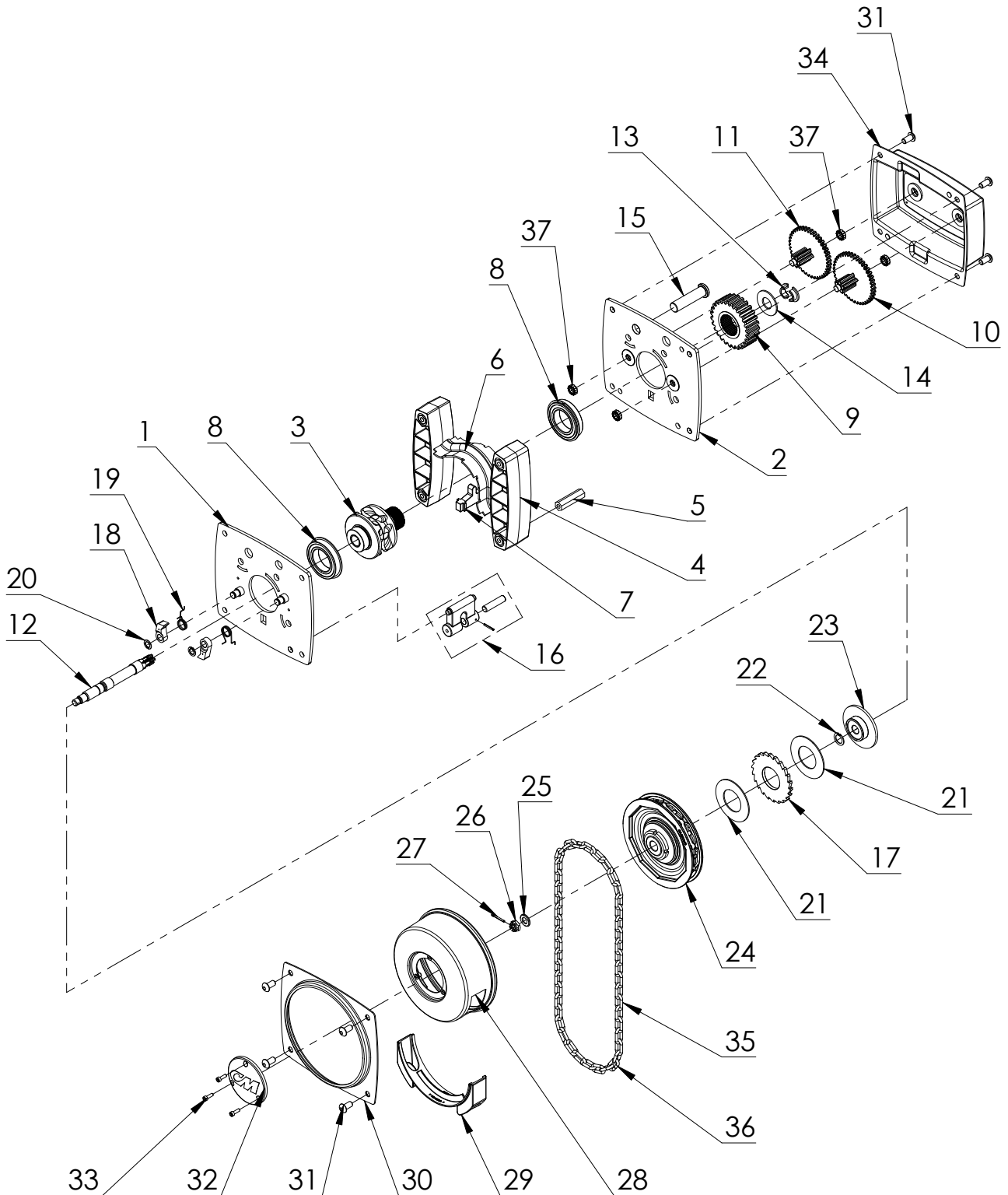
Référence pièce	Numéro d'article	Description	Qté
360-0004		Ensemble d'engrenage 360 15T - 20T	
-	656-9	Engrenage de roue de levage	1
-	656-13	Arbre d'entraînement	2
-	656-14	Rondelle	1
-	656-10	Ensemble d'engrenage de réduction -A-	1
-	656-11	Ensemble d'engrenage de réduction -B-	1
-	656-12	Arbre d'entraînement	1
360-0013		Ensemble de roue de levage 360 15T - 20T	
-	656-3	Ensemble de roue de levage	1
-	656-8	Roulement de roue de levage	2
360-0023A		Ensemble de plaque latérale 360 (roue d'actionnement) 15T - 20T	
-	656-1	Ensemble de plaque latérale de roue d'actionnement	1
-	656-4	Ensemble de couvercle d'extrémité	1
360-0023		Ensemble de plaque latérale 360 (d'engrenage) 15T - 20T	
-	656-2	Plaque latérale d'engrenage	1
-	656-4	Ensemble de couvercle d'extrémité	1
360-0033		Ensemble de dénukeur 360 15T - 20 T	
-	656-6	Guide-chaîne	1
-	656-7	Dénukeur de chaîne	1
-	656-16	Ensemble de joint de bouts libres	1
360-0054		Ensemble de roue d'actionnement 360 15T - 20T	
-	656-24	Roue d'actionnement	1
-	N/S	Tube de sécurité	1
360-0075		Ensemble de cliquet 360 15T - 20T	
-	656-17	Ensemble de disque de cliquet	1
-	656-21	Disque de friction	2
-	656-22	Anneau de retenue	1
-	656-23	Moyeu du frein de roue d'actionnement	1
360-0083		Ensemble de couvercle de frein 360 15T - 20T	
-	656-31	Ensemble de quincaillerie du couvercle	1
-	656-28	Module de couvercle de roue d'actionnement	1
-	656-30	Support de couvercle de roue d'actionnement	1
-	656-32	Capuchon, ensemble CM (avec vis de douille)	1
360-0093		Ensemble de quincaillerie 360 15T - 20T	
-	656-25	Rondelle	1
-	656-26	Écrou à créneaux	1
-	656-27	Goupille fendue	1
360-0095		Ensemble de quincaillerie du couvercle 360 15T - 20T	
-	656-33	vis	3
-	656-32	Capuchon, ensemble CM (avec vis de douille)	1
360-0102		Ensemble de cran d'arrêt 360 15T - 20T	
-	656-18	Cran d'arrêt	2
-	656-19	Ressort (ressort de cran d'arrêt)	2
-	656-20	Anneau de retenue	2
360-0126		Ensemble de module de crochet supérieur 360 15T - 20T	
-	656-5	Module de crochet supérieur	1
-	656-11	Goupille de crochet supérieur	1
360-0136		Ensemble de module de crochet inférieur 360 15T - 20T	
-	656-3	Module de crochet inférieur	1

Référence pièce	Numéro d'article	Description	Qté
360-0140		Ensemble de couvercle de frein 15T - 20T	
-	656-33	vis	3
-	656-31	vis	8
-	656-32	Capuchon, ensemble CM (avec vis de douille)	1
-	656-30	Support de couvercle de roue d'actionnement	1
-	656-28	Module de couvercle de roue d'actionnement	1
-	656-29	Guide-chaîne	1
360-0141		Ensemble de couvercle d'engrenage 15T - 20T	
-	656-31	vis	8
-	656-34	Ensemble de couvercle d'engrenage	1
Pièces disponibles en tant que composantes individuelles			
09108020	656-31	vis	8
09102199	656-33	vis	3
04307654	656-35	Chaîne à main	2*
04307654CZPB	656-36	Maillon de jonction de chaîne à main	1

*Montré sur le diagramme à la page 20.

REMARQUE: Pour les palans manuels à chaîne de modèle Hurricane 360 de 15 et de 20 tonnes, il y a deux palans à chaîne fixés sur un châssis renforcé. Par conséquent, vous pouvez avoir besoin de commander deux ensembles de pièces pour faire des réparations.

VUE ÉCLATÉE DU PALAN MANUEL À CHAÎNE OURAGAN 360° CM® - 15 TONNES - 20 TONNES



FRANÇAIS

REMARQUE : Pour les palans manuels à chaîne de modèle Hurricane 360 de 15 et de 20 tonnes, il y a deux palans à chaîne fixés sur un châssis renforcé. Par conséquent, vous pouvez avoir besoin de commander deux ensembles de pièces pour faire des réparations.

Remarque : Pour les numéros de série sans " A " à l'extrémité, les numéros de référence 1, 22 et 28 peuvent être remplacés ensemble. Si votre numéro de série a un A à l'extrémité, utilisez le No. de référence 45.

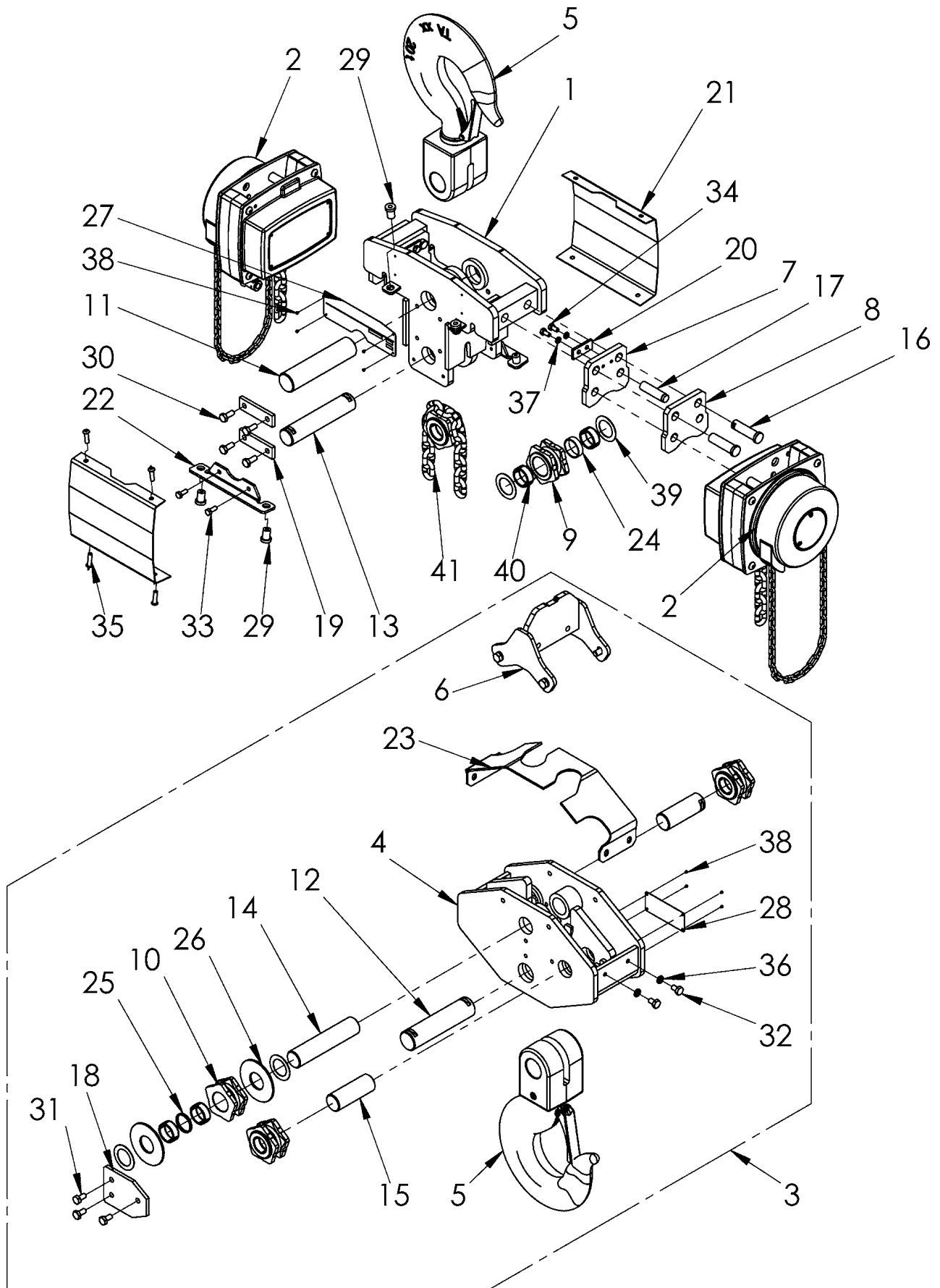
VUE ÉCLATÉE DU PALAN MANUEL À CHAÎNE OURAGAN 360° CM® - 15 TONNES - 20 TONNES

Part Number	Drawing Number	Description	Qty.
360-0142		Kit de couvert latéral dU chassis pour modèle 360, 15T - 20T	
-	656-21	Couvert latéral	2
-	656-35	Vis à tête ronde	8
360-0143		Kit de couvert de support latéral pour modèle 360, 15T - 20T	
-	656-22	Appui de couvert latéral	2
-	656-29	Écrou	2
-	656-33	Vis	2
360-0144		Kit de support de moyeu pour palan 15T - 20T	
-	656-19	Plaque de support de moyeu	4
-	656-30	Vis	4
360-0145		Plaque d'identification du 360, kit d'armature pour chassis 15T	
-	656-27	Plaque d'identification, armature du chassis	1
-	656-38	Goupille cannelée à tête ronde	4
360-0146		Plaque d'identification du 360, kit d'armature pour chassis 20T	
-	656-27	Plaque d'identification, armature du chassis	1
-	656-38	Goupille cannelée à tête ronde	4
360-0147		Kit de plaque de capacité du 360, 15T	
-	656-28	Plaque de capacité	1
-	656-38	Goupille cannelée à tête ronde	4
360-0148		Kit de plaque de capacité du 360, 20T	
-	656-28	Plaque de capacité	1
-	656-38	Goupille cannelée à tête ronde	4
360-0149		Kit d'engrenage supérieur de levée 15T - 20T	
-	656-9	Engrenage supérieur de levée	4
-	656-40	Rouleau	10
-	656-24	Rondelle de palan	4
-	656-39	Rondelle	10
360-0150		Kit de fixation du palan 360, 15T - 20T	
-	656-7	Plaque d'adaptation	2
-	656-8	Plaque d'adaptation	2
-	656-20	Support du moyeu de palan	2
-	656-334	Vis	4
-	656-17	Boulon de support de suspension	2
-	656-16	Boulon de suspension du palan	4
-	656-37	Rondelle à ressort	4
360-0151		Kit d'assemblage du chassis de palan 360, 15T - 20T	
-	656-1	Ensemble d'armature du chassis	1
-	656-13	Boulon supérieur du chassis	1
-	656-28	Écrou	8

Part Number	Drawing Number	Description	Qty.
Pièces disponibles en tant que composantes individuelles			
00400915	656-11	Boulon supérieur de crochet	1
00400917	656-12	Boulon de crochet de charge	1
00400916	656-13	Boulon supérieur de chassis	1
00400918	656-14	Boulon inférieur du bloc	1
00401098	656-15	Boulon inférieur d'engrenage de levée	2
00400911	656-16	Boulon de suspension du palan	4
00550147	656-17	Boulon de support de suspension	2
192031037	656-25	Rondelle inférieure de bloc	1
192031036	656-26	Rondelle inférieure de bloc	2
09177096	656-29	Écrou	8
09101023	656-30	Vis	8
09101016	656-31	Vis	6
09101418	656-32	Vis	4
09101013	656-33	Vis	4
09101415	656-34	Vis	4
09108052	656-35	Vis à tête ronde	8
09122013	656-36	Rondelle à ressort	4
09122016	656-37	Rondelle à ressort	4
09128004	656-38	Goupille cannelée à tête ronde	8
09153054	656-39	Rondelle	10
85962	656-41	Chaîne de levage	1**

FRANÇAIS

**VUE ÉCLATÉE DU PALAN MANUEL À CHAÎNE OURAGAN 360° CM® -
15 TONNES - 20 TONNES**



FRANÇAIS

WARRANTY

LIMITATION OF WARRANTIES, REMEDIES AND DAMAGES

INDEMNIFICATION AND SAFE OPERATION

Buyer shall comply with and require its employees to comply with directions set forth in instructions and manuals furnished by Seller and shall use and require its employees to follow such instructions and manuals and to use reasonable care in the use and maintenance of the goods. Buyer shall not remove or permit anyone to remove any warning or instruction signs on the goods. In the event of personal injury or damage to property or business arising from the use of the goods, Buyer shall within 48 hours thereafter give Seller written notice of such injury or damage. Buyer shall cooperate with Seller in investigating any such injury or damage and in the defense of any claims arising therefrom.

If Buyer fails to comply with this section or if any injury or damage is caused, in whole or in part, by Buyer's failure to comply with applicable federal or state safety requirements, Buyer shall indemnify and hold Seller harmless against any claims, loss or expense for injury or damage arising from the use of the goods.

CMCO Warranty (HOISTS)

A. Columbus McKinnon Corporation ("Seller") warrants to the original end user ("Buyer") that: (a) for a period of one (1) year from the date of Seller's delivery of the goods (collectively, the "Goods") to the carrier, the electrical components of the Goods will be free from defects in workmanship and materials; and (b) for the life of the Goods, the mechanical components of the Goods will be free from defects in workmanship and materials.

B. IN THE EVENT OF ANY BREACH OF SUCH WARRANTY, SELLER'S SOLE OBLIGATION SHALL BE EXCLUSIVELY LIMITED TO, AT THE OPTION OF SELLER, REPAIR OR REPLACEMENT, F.O.B. SELLER'S POINT OF SHIPMENT, OF ANY GOODS THAT SELLER DETERMINES TO HAVE BEEN DEFECTIVE OR, IF SELLER DETERMINES THAT SUCH REPAIR OR REPLACEMENT IS NOT FEASIBLE, TO A REFUND OF THE PURCHASE PRICE UPON RETURN OF THE GOODS TO SELLER. NO CLAIM AGAINST SELLER FOR ANY BREACH OF (i) SUCH WARRANTY WITH RESPECT TO THE ELECTRICAL COMPONENTS OF ANY GOOD SHALL BE VALID OR ENFORCEABLE UNLESS BUYER'S WRITTEN NOTICE THEREOF IS RECEIVED BY SELLER WITHIN ONE (1) YEAR FROM THE DATE OF SELLER'S DELIVERY TO THE CARRIER AND (ii) SUCH WARRANTY WITH RESPECT TO THE MECHANICAL COMPONENTS OF ANY GOOD SHALL BE VALID OR ENFORCEABLE UNLESS BUYER'S WRITTEN NOTICE THEREOF IS RECEIVED BY SELLER WITHIN ONE (1) YEAR FROM THE DATE THE DATE ANY ALLEGED CLAIM ACCRUES. EXCEPT FOR THE WARRANTY SET FORTH ABOVE, SELLER MAKES NO OTHER WARRANTIES WITH RESPECT TO THE

GOODS, WHETHER EXPRESSED OR IMPLIED, INCLUDING ANY WARRANTIES OF MERCHANTABILITY, FITNESS FOR A PARTICULAR PURPOSE, QUALITY AND/OR THOSE ARISING BY STATUTE OR OTHERWISE BY LAW OR FROM ANY COURSE OF DEALING OR USE OF TRADE, ALL OF WHICH ARE HEREBY EXPRESSLY DISCLAIMED.

C. IN NO EVENT SHALL SELLER BE LIABLE TO BUYER OR ANY THIRD PARTY WITH RESPECT TO ANY GOOD, WHETHER IN CONTRACT, TORT OR OTHER THEORY OF LAW, FOR LOSS OF PROFITS OR LOSS OF USE, OR FOR ANY INCIDENTAL, CONSEQUENTIAL, SPECIAL, DIRECT OR INDIRECT DAMAGES, HOWSOEVER CAUSED. SELLER'S MAXIMUM LIABILITY TO BUYER WITH RESPECT TO THE GOODS SHALL IN NO EVENT EXCEED THE PRICE PAID BY BUYER FOR THE GOODS THAT ARE THE SUBJECT OF THE APPLICABLE CLAIM.

D. Seller shall not be liable for any damage, injury or loss arising out of the use of the Goods if, prior to such damage, injury or loss, such Goods are: (1) damaged or misused following Seller's delivery to the carrier; (2) not maintained, inspected, or used in compliance with applicable law and Seller's written instructions and recommendations; or (3) installed, repaired, altered or modified without compliance with such laws, instructions or recommendations.

E. This warranty is limited and provided only to the original end user. **Each Good must be registered within sixty (60) days of receipt of each product to establish eligibility.** Please register at www.cmworks.com/hoist-warranty-registration or submit registration card via US mail.

F. Any action against Seller for breach of warranty, negligence or otherwise in connection with the electrical components of any Good must be commenced by Buyer within one (1) year after: (a) the date any alleged claim accrues; or (b) the date of delivery of the Goods to Buyer, whichever is earlier. Any action against Seller for breach of warranty, negligence or otherwise in connection with the mechanical components of any Good must be commenced by Buyer within one (1) year after the date any alleged claim accrues.

WARNING

Alterations or modifications of equipment and use of non-factory repair parts can lead to dangerous operation and injury.

TO AVOID INJURY:

- Do not alter or modify equipment.
- Do use only factory replacement parts.



COLUMBUS McKINNON
CORPORATION

FAMILY OF BRANDS



USA: Ph: (800) 888.0985 • (716) 689.5400 • Fax: (716) 689.5644 • www.cmworks.com

CANADA: Ph: (877) 264.6478 • Fax: (877) 264.6477 • www.cmworks.com