

**Lift and Move a Steel Drum with Your Crane**

**MODEL 91 LIFTER FOR STEEL DRUM OR OVERPACK**

MADE  
IN  
USA



Model 91 placing a 55-gallon (210 liter) drum into a salvage drum.

Morse invented this lifter for placing a steel 55-gallon (210 liter) drum into an overpack or salvage drum. It can also be used to move a steel overpack drum. The narrow profile enables it to lower the drum completely into the overpack.

What makes this lifter effective and simple to use is its carefully designed ice-tong-like geometry and broad faced, thin profile grippers. The broadness of the grippers spreads the holding force to minimize pressure on the drum.

The Model 91 can also be used to lift and move a closed steel salvage drum.

- 55-gallon (210 liter) steel drum
- 85-gallon (325 liter) steel overpack

Capacity: 1000 Lb. (454 kg)



Model 91 Lifting an 85-gallon (322 liter) drum



**NOTE:** Each and every Morse model 91 is load tested and factory certified at 125% of rated capacity as per American National Standard ASME B30.20



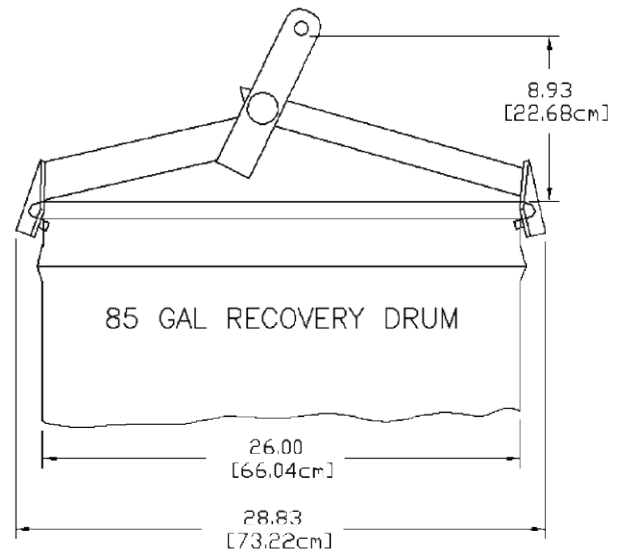
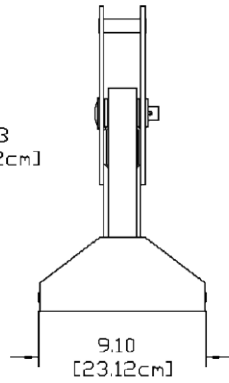
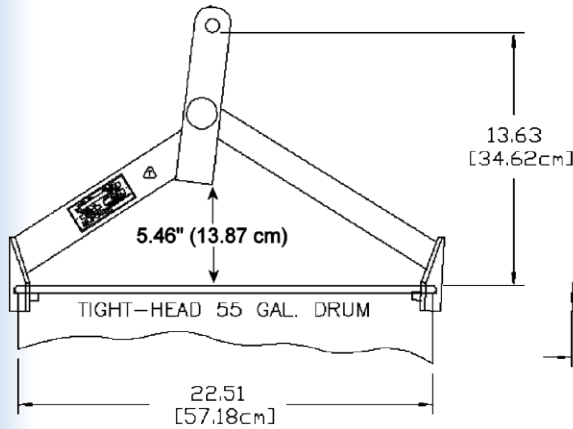
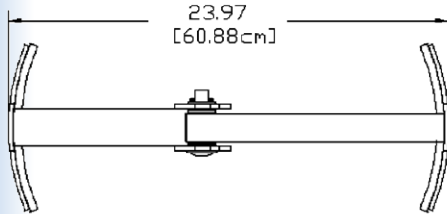
**MODEL 284 FORK HOOK**

Use your forklift as a hoist. Slide onto fork, turn T-screw to secure in place, and then use any Morse below-hook drum lifter.

Capacity: 2000 Lb. (909 kg)

**Dimensions**

MADE  
 IN  
 USA



[morsedrum.com](http://morsedrum.com)



[service@morsedrum.com](mailto:service@morsedrum.com)



(315) 437-8475



103 Kuhn Rd.  
 Syracuse, NY, 13208 USA