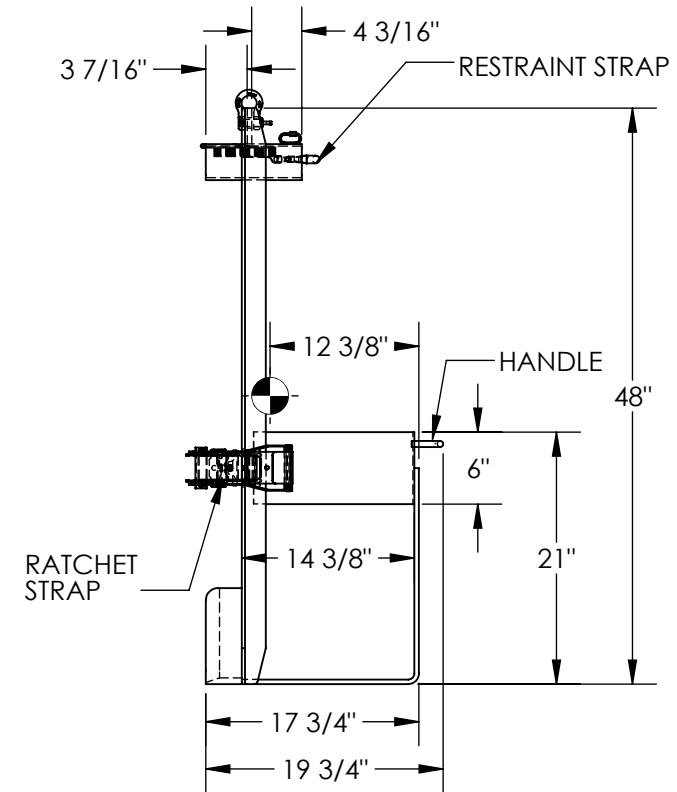
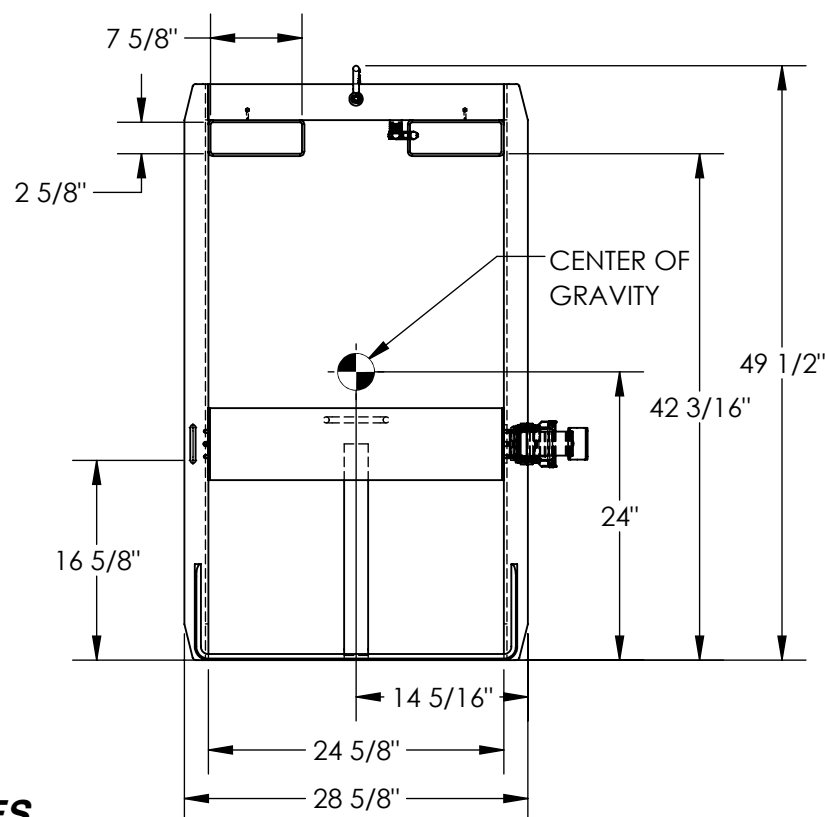
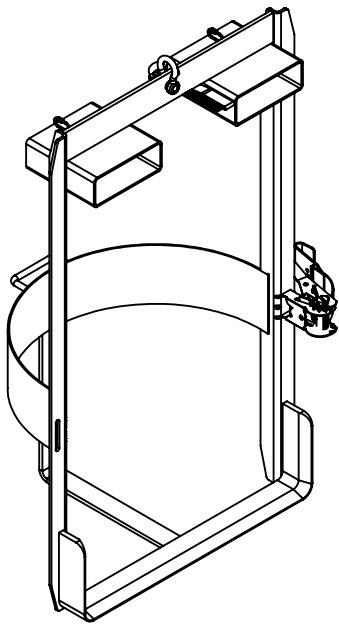


DRUM CARRIER/HOIST MOUNTED - DRUM-LUG

APPROX WEIGHT: 85.64 lbs.
DOES NOT INCLUDE WEIGHT OF POWER OR PACKAGING!!!

*** ANY ADDITIONS, DELETIONS, OR OMISSIONS MUST BE CORRECTED ON THIS DRAWING AS THIS DRAWING WILL BE CONSIDERED ALL INCLUSIVE ***

ALL GRAPHICS PROVIDED ARE FOR REFERENCE ONLY. IF CERTAIN DIMENSIONS ARE CRITICAL PLEASE VERIFY THOSE DIMENSIONS WITH YOUR SALESPERSON



DIMENSION TOLERANCE $\pm 1/4"$

STANDARD FEATURES

- MODEL NUMBER IS DRUM-LUG
- OVERALL WIDTH IS 28 5/8"
- OVERALL LENGTH IS 19 3/4"
- OVERALL HEIGHT IS 49 1/2"
- UNIFORM CAPACITY IS 1,000 LBS
- RATCHET STRAP SECURES DRUM
- ACCOMMODATES 30 AND 55-GALLON
- STEEL, PLASTIC, AND FIBER DRUMS
- MAX DRUM WIDTH ALLOWANCE IS 24 5/8"
- HOIST MOUNTED FOR EASY TRANSPORT
- FORK POCKET SIZE IS 7 5/8" X 2 5/8"
- NON-TILTING STYLE DESIGNED FOR STRAIGHT VERTICAL LIFTING ONLY
- TOUGH BAKED IN POWDER COATED YELLOW FINISH
- INCLUDES FORK TRUCK RESTRAINT STRAP

APPROX. WEIGHT/ LOST LOAD= 86 LBS. (APPROX)
MINIMUM EFFECTIVE THICKNESS= 11 1/2"
NEVER EXCEED LOAD CENTER RATING PER FORK TRUCK MANUFACTURER'S GUIDELINES.
DO NOT USE THIS FORK TRUCK ATTACHMENT IF LOAD WILL EXCEED FORK TRUCK MANUFACTURER'S LOAD CENTER RATING.

SPECIAL FEATURES

NONE

APPROVAL

I, THE UNDERSIGNED, AGREE THAT THE PRODUCT AS REPRESENTED SATISFIES DESIGN AND DIMENSION REQUIREMENTS. I ALSO ACKNOWLEDGE MY DUTY TO CONFIRM PRODUCT AND INSTALLATION COMPLIANCE WITH ALL APPLICABLE FEDERAL, STATE AND LOCAL REGULATIONS AND STANDARDS.
UNITS REQUIRING APPROVAL DRAWINGS OR MODIFIED ARE NON-RETURNABLE
[] As drawn [] As marked

Signed: _____ Date: _____
Printed Name: _____

LEAD TIME WILL START UPON RECEIPT OF SIGNED APPROVAL DRAWING

DISTRIBUTOR'S NAME:		P.O.#
VESTIL MANUFACTURING		X
DRAWN BY: DEY		W.O.#
DATE: 4/12/11		X
REFERENCE: X	SCALE: 1:16	SALES: X
QUOTED LEAD TIME: X	QUOTE #	FILE NAME:
	X	09-007-167