

COMPOZITE® DAVIT CRANE

Individually tested and certified at 125%



OZ1200DAV (PATENTED)

Options for faster lowering and raising



Boom Weight 43lbs. (excluding winch)

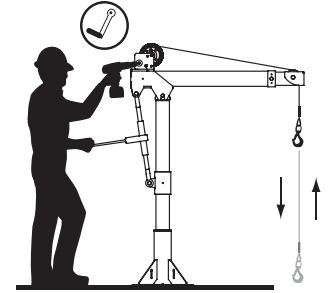
Mast Weight 30lbs.

1200 lbs. Capacity Features

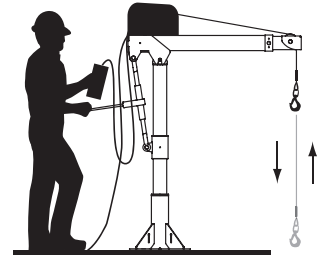
- **Boom/Extension and Mast made of Advanced Composite Material**
- Light weight, about 40% lighter than steel
- Corrosion resistant
- Metal components mil-spec zinc plated
- External handle helps rotate crane under load
- 4 position boom
- Ratchet screw jack adjusts boom under load giving you infinite range of lift
- 360 degree rotation of crane on sleeve bearing
- No tools required for installation. One person setup.
- DIN-Rated hand winch equipped standard with a load holding weatherproof Weston brake (Cable assembly sold separately)
- Hand winch accepts two different cable termination points: swaged ball fitting or bare end cable
- Quick connect winch handle with power drill adapter included
- Smart Latch technology at boom/mast connection
- Headache Ball (OZHB10) available and sold separately. See page 34
- Carrying case (OZRB1) available and sold separately

Crane weighs only 83 lbs. As Shown

One person set up. No tools required for installation. Lightweight & Portable.



Detach winch handle for drill option



AC and DC power winches available See page 25

Weight

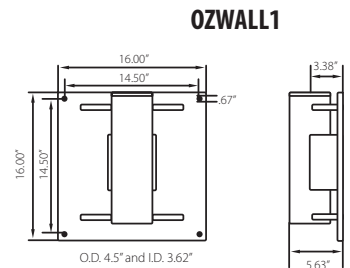
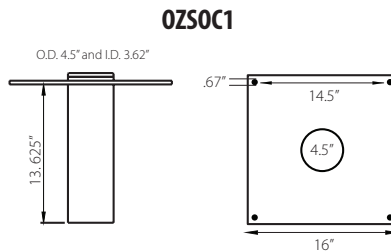
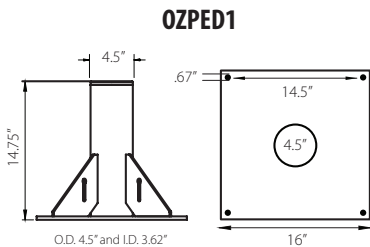
Weight (excluding winch)	Boom	Mast	Net
OZ1200DAV (lbs)	43	30	73

OZ1200DAV shown with optional OZPED1 Pedestal base, OZSS.25-55B wire rope assembly, and OZHB10 headache ball
Bases, cable assemblies and headache ball sold separately

WIRE/SYNTHETIC ROPE ASSEMBLIES
(sold separately) Custom length available.

Manual winch: 3/16" - 80 ft max. lift length • 1/4" - 55ft max. lift length
AC/DC Electric Winch: 3/16" - 90 ft max. lift length • 1/4" - 45ft max. lift length

OZ1200DAV BASES (sold separately) Comes with mounting template.

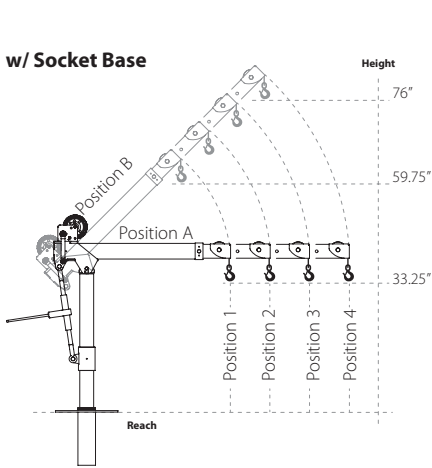


Dimensions and illustrations are for reference only and subject to change without notice.



OZ1200DAV DIMENSIONS Dimensions are for reference only and subject to change without notice.

w/ Socket Base



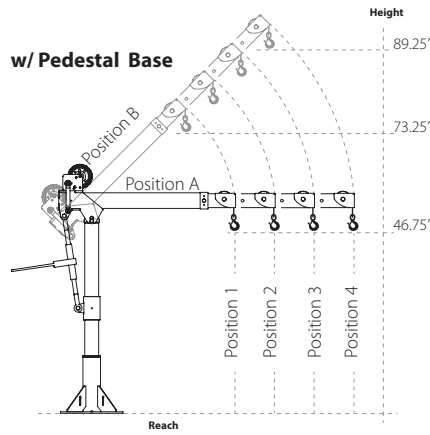
Boom Horizontal Position (A)

- Boom Position 1: Reach 36"
- Boom Position 2: Reach 46"
- Boom Position 3: Reach 56"
- Boom Position 4: Reach 66"

Boom 45° Position (B)

- Boom Position 1: Reach 22"
- Boom Position 2: Reach 29"
- Boom Position 3: Reach 36"
- Boom Position 4: Reach 43"

w/ Pedestal Base



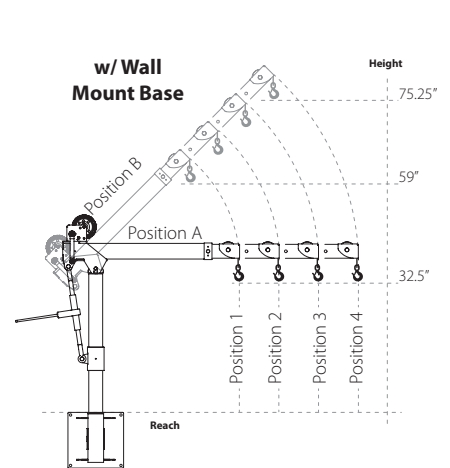
Boom Horizontal Position (A)

- Boom Position 1: Reach 36"
- Boom Position 2: Reach 46"
- Boom Position 3: Reach 56"
- Boom Position 4: Reach 66"

Boom 45° Position (B)

- Boom Position 1: Reach 22"
- Boom Position 2: Reach 29"
- Boom Position 3: Reach 36"
- Boom Position 4: Reach 43"

w/ Wall Mount Base

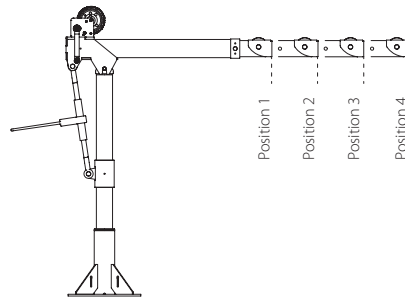


Boom Horizontal Position (A)

- Boom Position 1: Reach 36"
- Boom Position 2: Reach 46"
- Boom Position 3: Reach 56"
- Boom Position 4: Reach 66"

Boom 45° Position (B)

- Boom Position 1: Reach 22"
- Boom Position 2: Reach 29"
- Boom Position 3: Reach 36"
- Boom Position 4: Reach 43"



Load Ratings OZ1200DAV

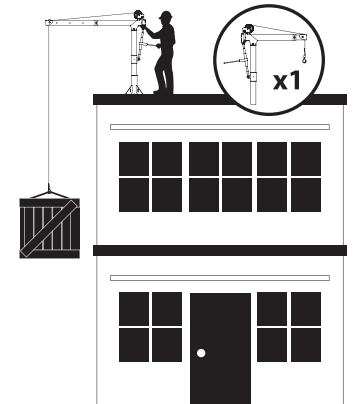
*Table based on 1/4 inch wire rope or 3/16" Upretex Synthetic Rope

Load Ratings	1st. Layer	Mid. Drum	Full Drum
Position 1 (lbs)	1200	875	550
Position 2 (lbs)	900	875	550
Position 3 (lbs)	700	700	550
Position 4 (lbs)	400	400	400

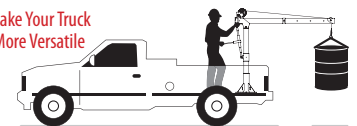
*Table based on 3/16" wire rope

Load Ratings	1st. Layer	Mid. Drum	Full Drum
Position 1 (lbs)	800	800	550
Position 2 (lbs)	800	800	550
Position 3 (lbs)	700	700	550
Position 4 (lbs)	400	400	400

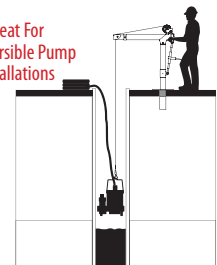
Designed for use in multiple workstations. Buy one crane and multiple bases.



Make Your Truck More Versatile



Great For Submersible Pump Installations



WIRE/SYNTHETIC ROPE ASSEMBLIES

Steel Wire Rope (For manual winch)

OZGAL.19-80B	3/16" x 80'	Galvanized cable assembly
OZSS.19-80B	3/16" x 80'	Stainless steel cable assembly
OZGAL.25-55B	1/4" x 55'	Galvanized cable assembly
OZSS.25-55B	1/4" x 55'	Stainless steel cable assembly

Above cable assemblies come with swaged ball and swivel hook with latch.

Custom cable length available.

3/16" - 80 ft max. length • 1/4" - 55ft max. length

Steel Wire Rope (For manual and power winch)

OZGAL.19-90	3/16" x 90'	Galvanized cable assembly
OZSS.19-90	3/16" x 90'	Stainless Steel cable assembly
OZGAL.25-45	1/4" x 45'	Galvanized cable assembly
OZSS.25-45	1/4" x 45'	Stainless Steel cable assembly

All cable assemblies come with a swivel hook with latch.

Custom cable length available.

3/16" - 90 ft max. length • 1/4" - 45ft max. length

Synthetic Rope

OZSR.19-15	3/16" x 15'	Ultrax Synthetic Rope
OZSR.19-50	3/16" x 50'	Ultrax Synthetic Rope
OZSR.19-90	3/16" x 90'	Ultrax Synthetic Rope
OZSR.25-50	1/4" x 50'	Ultrax Synthetic Rope
OZSR.25-75	1/4" x 75'	Ultrax Synthetic Rope
OZSR.31-55	5/16" x 55'	Ultrax Synthetic Rope
OZSR.38-45	3/8" x 45'	Ultrax Synthetic Rope

All synthetic rope assemblies come with looped ends and pre-installed swivel hook with latch



ROLLER BAG

OZRB1

Provides an easy way to transport and store your davit crane. Compatible with Steel 500 & 1000lb, Aluma-Lite 500 & 1000lb, CompOZite 1200 lb, CompOZite Elite 1200lb and Tele-Pro 500 & 1200lb davit cranes. Roller bag is sold separately from davit cranes.



HEADACHE BALL

OZHB10

Keeps your wire rope tensioned even when lowering the hook with no load. Compatible with 3/16" and 1/4" wire rope assemblies. Headache balls sold separately from all davit cranes and wire rope assemblies.

