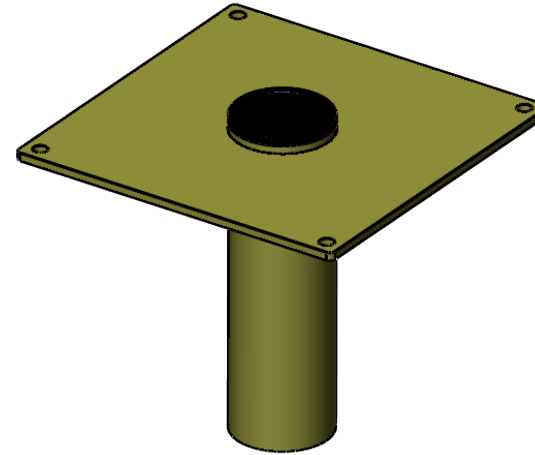
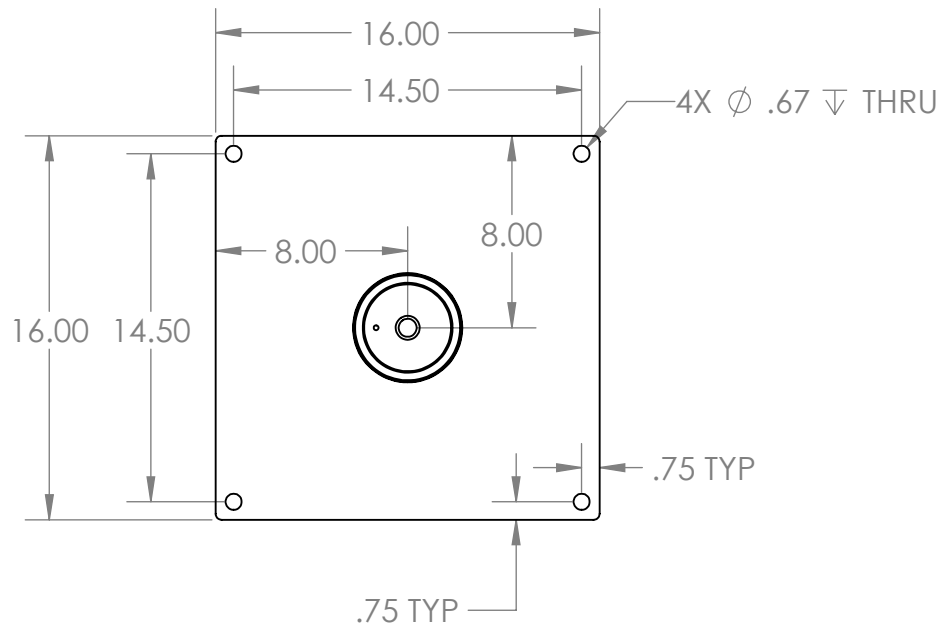
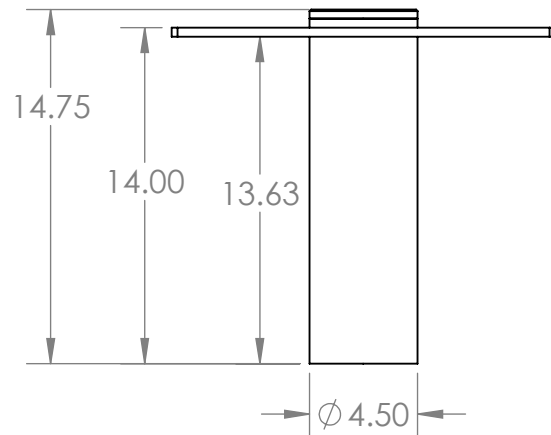


B



B



A

**PROPRIETARY AND CONFIDENTIAL**

THE INFORMATION CONTAINED IN THIS DRAWING IS THE SOLE PROPERTY OF OZ LIFTING PRODUCTS. ANY REPRODUCTION IN PART OR AS A WHOLE WITHOUT THE WRITTEN PERMISSION OF OZ LIFTING PRODUCTS IS PROHIBITED.

## UNLESS OTHERWISE SPECIFIED:

DIMENSIONS ARE IN INCHES  
 TOLERANCES:  
 FRACTIONAL  $\pm 1/16$   
 ANGULAR: MACH  $\pm 1/2$  degree  
 TWO PLACE DECIMAL  $\pm .02$   
 THREE PLACE DECIMAL  $\pm .005$

SPECIFIC TOLERANCES TO BE CALLED OUT IF NEEDED.

MATERIAL

FINISH

DO NOT SCALE DRAWING

DRAWN

CHECKED

ENG APPR.

MFG APPR.

Q.A.

COMMENTS:

NAME DATE



TITLE:

Socket Base

SIZE

**A**

Part #

REV

SCALE: 1:8

WEIGHT:

SHEET 1 OF 1

2

1

A