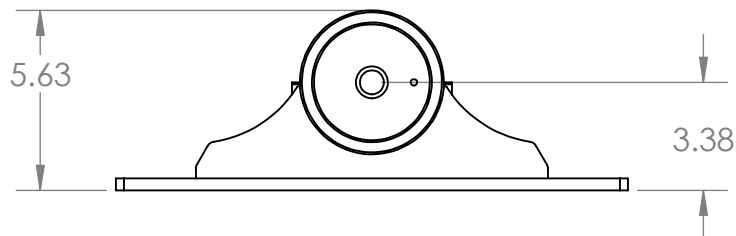
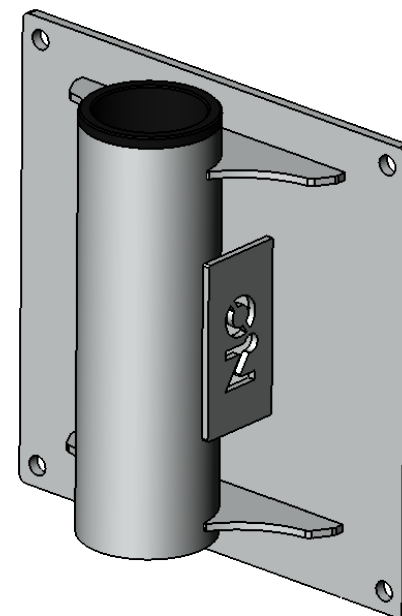


B

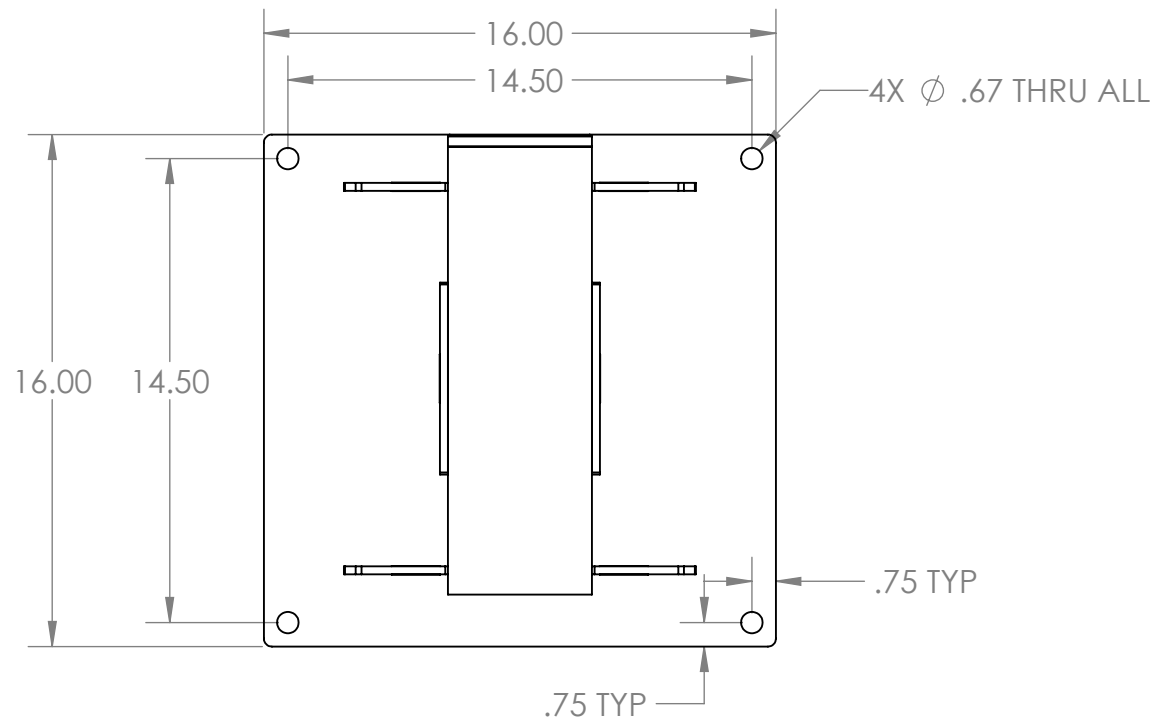


1

B



A



A

UNLESS OTHERWISE SPECIFIED:

DIMENSIONS ARE IN INCHES
 TOLERANCES:
 FRACTIONAL $\pm 1/16$
 ANGULAR: MACH $\pm 1/2$ degree
 TWO PLACE DECIMAL $\pm .02$
 THREE PLACE DECIMAL $\pm .005$

	NAME	DATE
DRAWN	GFL	10/19/16
CHECKED		
ENG APPR.		
MFG APPR.		
Q.A.		
COMMENTS:		



TITLE:
Wall Mount Base

PROPRIETARY AND CONFIDENTIAL
 THE INFORMATION CONTAINED IN THIS DRAWING IS THE SOLE PROPERTY OF OZ LIFTING PRODUCTS. ANY REPRODUCTION IN PART OR AS A WHOLE WITHOUT THE WRITTEN PERMISSION OF OZ LIFTING PRODUCTS IS PROHIBITED.

SPECIFIC TOLERANCES TO BE CALLED OUT IF NEEDED.
MATERIAL Weldment
FINISH
DO NOT SCALE DRAWING

SIZE A	Part # DC12WB1000	REV A
SCALE: 1:6 WEIGHT: 47.2lbs SHEET 1 OF 1		

2

1