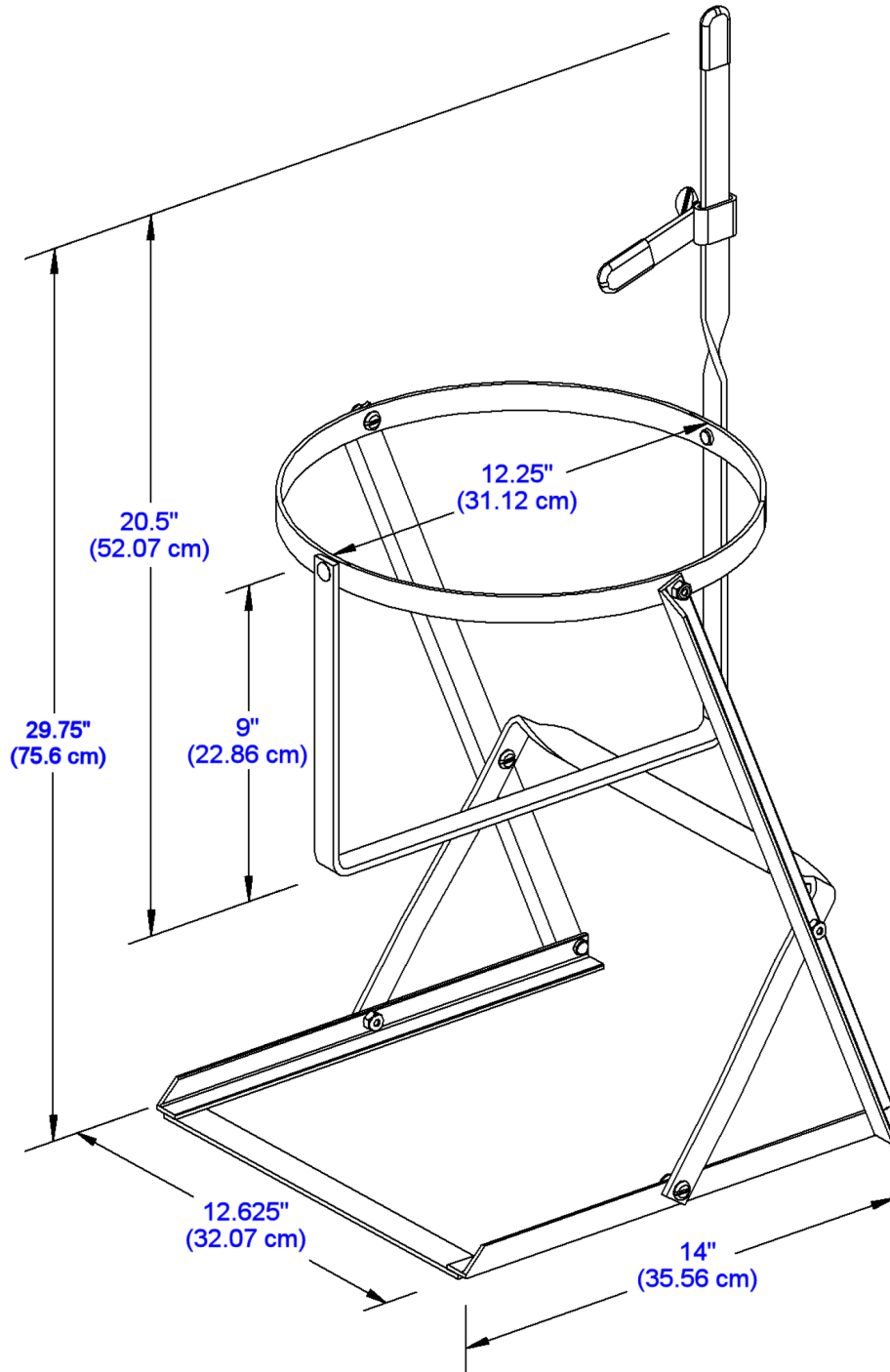




The Specialist In Drum Handling Equipment

MODEL 15 & 15-SS Dimensions

Dimensions of Morse Model 15 and Model 15-SS 5-Gallon Can Tipper



MORSE Mfg. Co., Inc. • 727 West Manlius Street • P.O. Box 518 • East Syracuse, NY 13057-0518
Phone: (315) 437-8475 • Fax: (315) 437-1029 • Email: service@morsedrums.com • Website: morsedrums.com