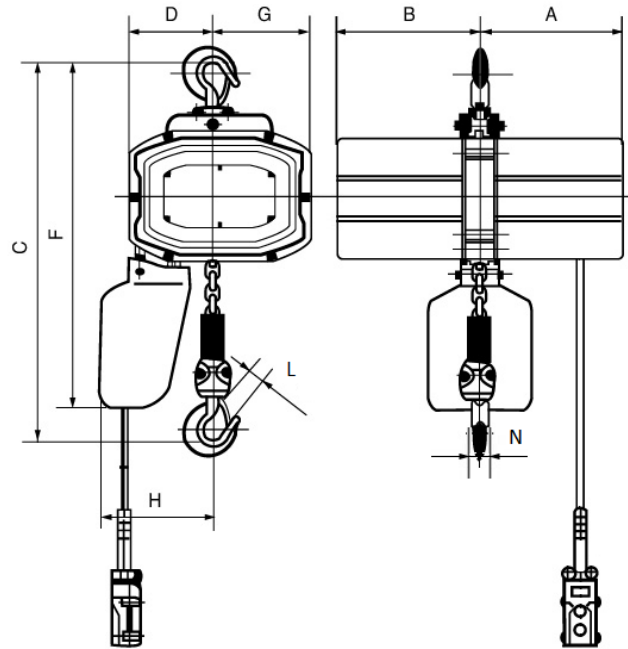




BISON

LIFTING EQUIPMENT



1/4, 1/2, 1 TON

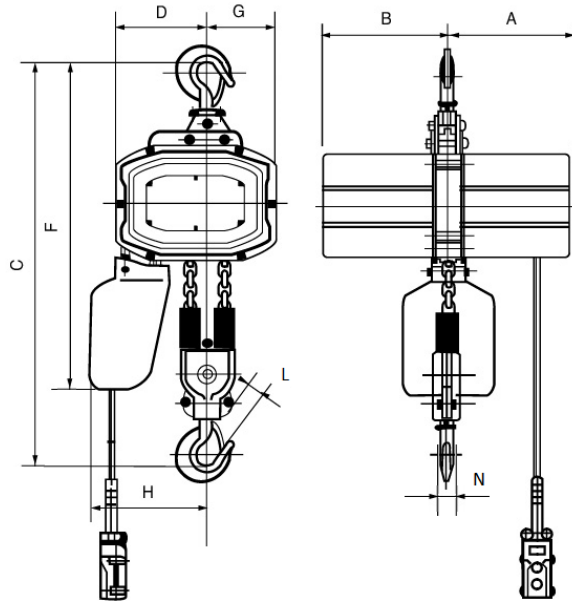
Product Code:	Cap.	Standard Lift Height	Lifting Speed	Motor Output	Power Supply	Control Voltage	Rated Current (amps)		Load Chain Size	Chain Fall Lines	Pendant Cord Length	Total Net Weight
	Tons	Ft.	Ft./min	Hp.	Volts (1-Phase)	Volts	@115v	@230v	mm		Ft.	Lbs.
HH-B025	1/4	20	21	1.3	115/230V	24	9.8	4.9	7.1	1	17	148
HH-B05	1/2	20	21	1.3	115/230V	24	9.8	4.9	7.1	1	17	148
HH-B10	1	20	21	2	115/230V	24	14.2	7.1	7.1	1	17	150

Product Code	Cap.	Head Room (C)	A	B	G	D	L	F	H	N
	Ton	Inches	Inches	Inches	Inches	Inches	Inches	Inches	Inches	Inches
HH-B025	1/4	21.5	10	10	7	6	1.47	22	8	0.73
HH-B05	1/2	21.5	10	10	7	6	1.47	22	8	0.73
HH-B10	1	22.8	10	10	7	6	1.47	24	8	0.73



BISON

LIFTING EQUIPMENT



2 TON

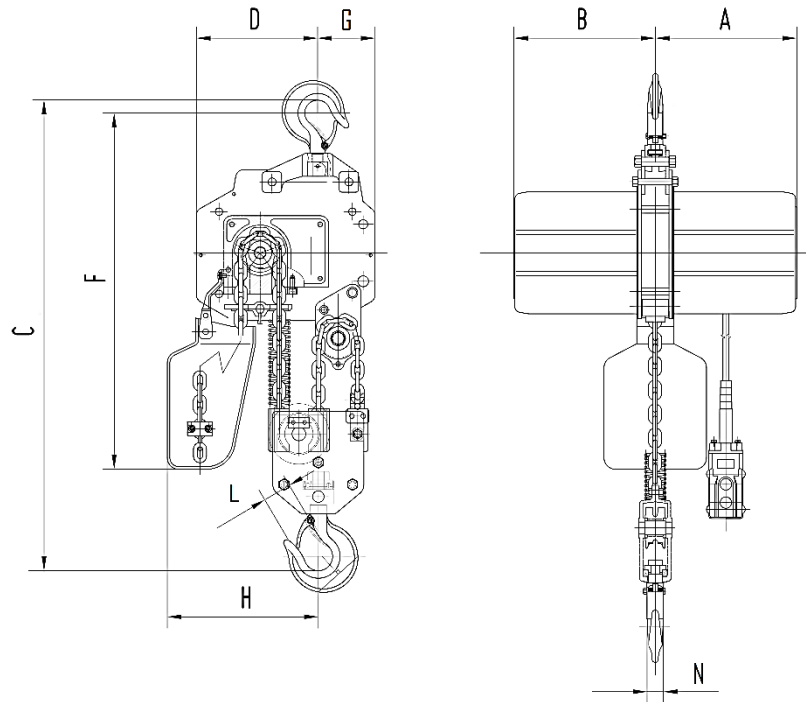
Product Code:	Cap.	Standard Lift Height	Lifting Speed	Motor Output	Power Supply	Control Voltage	Rated Current (amps)		Load Chain Size	Chain Fall Lines	Pendant Cord Length	Total Net Weight
	Tons	Ft.	Ft./min	Hp.	Volts (1-Phase)	Volts	@115v	@230v	mm		Ft.	Lbs.
HH-B20	2	20	10.5	2	115/230V	24	14.2	7.1	7.1	2	17	173

Product Code	Cap.	Head Room (C)	A	B	G	D	L	F	H	N
	Ton	Inches	Inches	Inches	Inches	Inches	Inches	Inches	Inches	Inches
HH-B20	2	29.1	10	10	7	5	1.65	26	9	0.83



BISON

LIFTING EQUIPMENT



3 TON

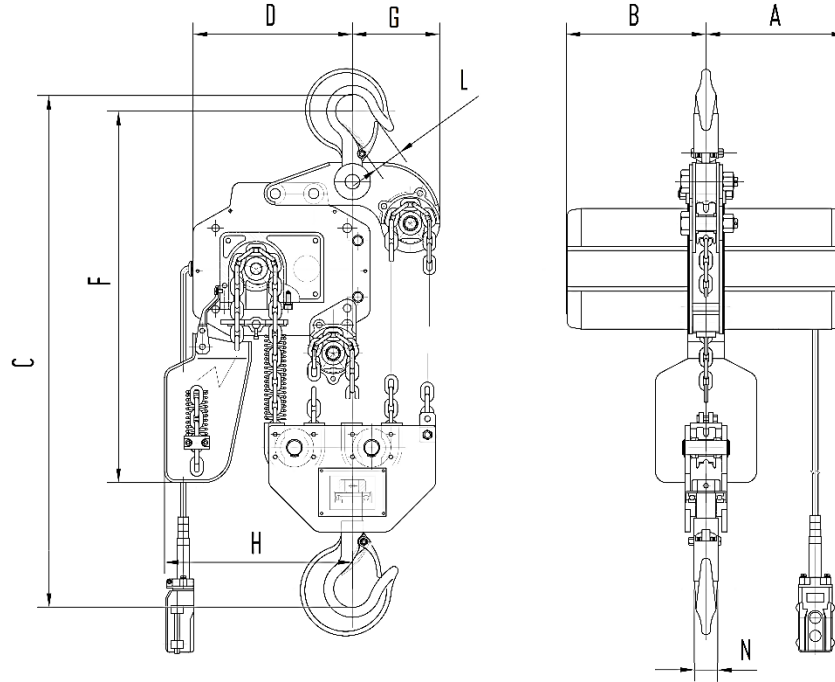
Product Code:	Cap.	Standard Lift Height	Lifting Speed	Motor Output	Power Supply	Control Voltage	Rated Current (amps)		Load Chain Size	Chain Fall Lines	Pendant Cord Length	Total Net Weight
	Tons	Ft.	Ft. /min	Hp.	Volts (1-Phase)	Volts	@115v	@230v	mm		Ft.	Lbs.
HH-B30	3	20	7	2	115/230V	24	14.2	7.1	7.1	3	17	198

Product Code	Cap.	Head Room (C)	A	B	G	D	L	F	H	N
	Ton	Inches	Inches	Inches	Inches	Inches	Inches	Inches	Inches	Inches
HH-B30	3	31	10	10	4	8	1.69	28	11	0.90



BISON

LIFTING EQUIPMENT



5 TON

Product Code:	Cap.	Standard Lift Height	Lifting Speed	Motor Output	Power Supply	Control Voltage	Rated Current (amps)		Load Chain Size	Chain Fall Lines	Pendant Cord Length	Total Net Weight
	Tons	Ft.	Ft./min	Hp.	Volts (1-Phase)	Volts	@115v	@230v	mm		Ft.	Lbs.
HH-B50	5	20	4.2	2	115/230V	24	14.2	7.1	7.1	5	17	333

Product Code	Cap.	Head Room (C)	A	B	G	D	L	F	H	N
	Ton	Inches	Inches	Inches	Inches	Inches	Inches	Inches	Inches	Inches
HH-B50	5	37	10	10	4	11	2.20	29	13	1.89