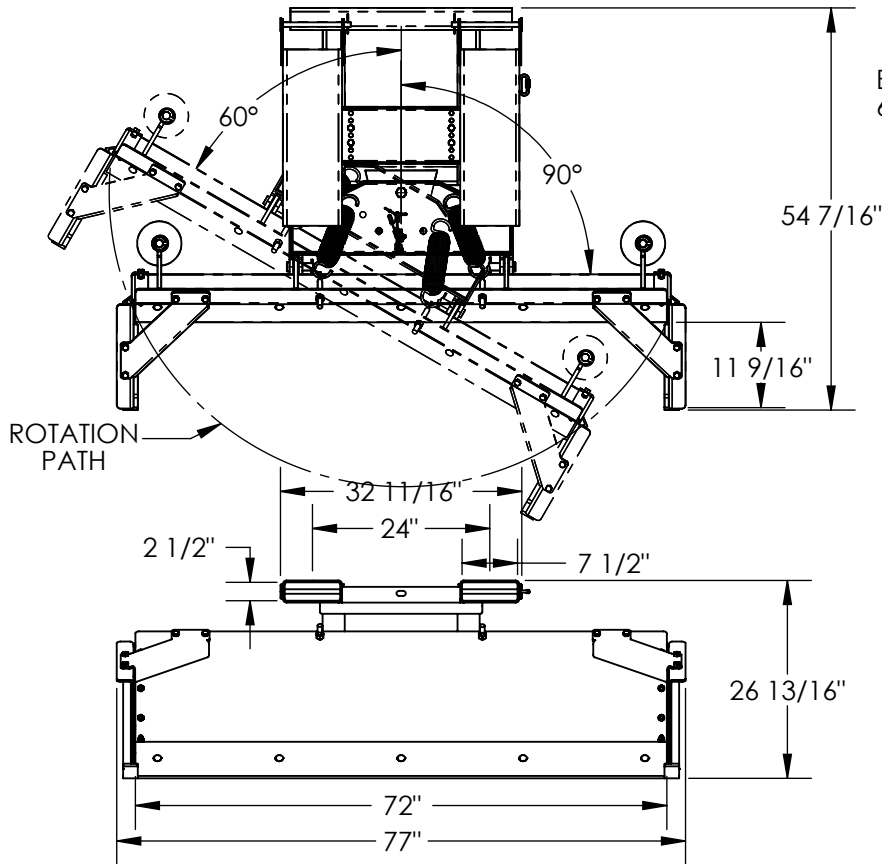


FORK TRUCK SNOW PLOW PUSH BOX - SPB-P-72

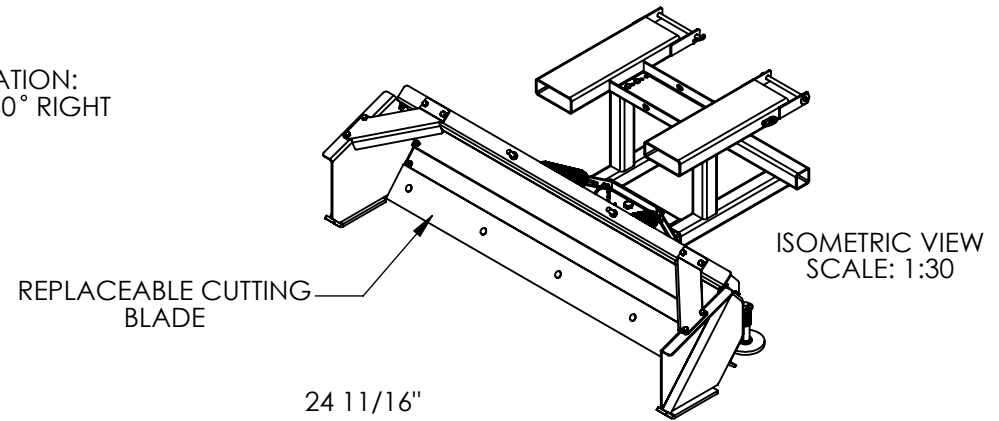
APPROX WEIGHT: 620.15 lbs.
DOES NOT INCLUDE WEIGHT OF POWER OR PACKAGING!!!

*** ANY ADDITIONS, DELETIONS, OR OMISSIONS MUST BE CORRECTED ON THIS DRAWING AS THIS DRAWING WILL BE CONSIDERED ALL INCLUSIVE ***

ALL GRAPHICS PROVIDED ARE FOR REFERENCE ONLY. IF CERTAIN DIMENSIONS ARE CRITICAL PLEASE VERIFY THOSE DIMENSIONS WITH YOUR SALESPERSON

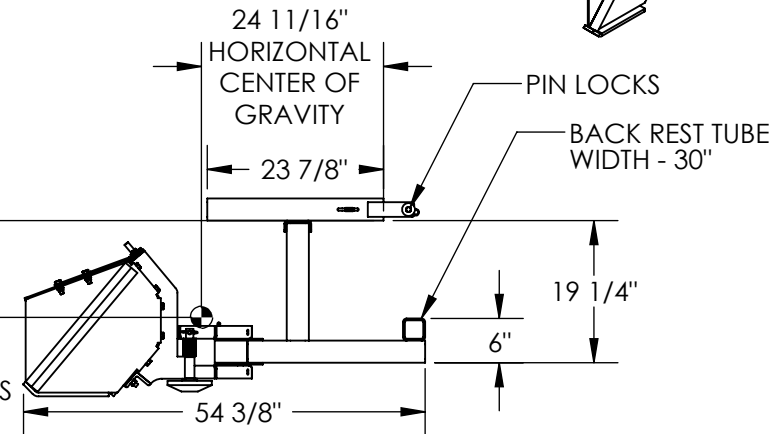


BLADE ROTATION:
60° LEFT & 60° RIGHT



13 1/16"
VERTICAL
CENTER OF
GRAVITY

SPRINGS NOT
SHOWN IN THIS
VIEW FOR
CLARITY



APPROX. WEIGHT / LOST LOAD = 620.15
MINIMUM EFFECTIVE THICKNESS = <1"
VERTICAL CENTER OF GRAVITY = 13 1/16"
HORIZONTAL CENTER OF GRAVITY = 24 11/16"

STANDARD FEATURES

MODEL NUMBER IS SPB-P-72
OVERALL WIDTH: 77"
USABLE WIDTH: 72"
OVERALL LENGTH: 54 3/8"
OVERALL HEIGHT: 26 13/16"
FORK POCKETS: 2 1/2" X 7 1/2"
SNOW BLADE WIDTH: 72"
BOX DEPTH: 11 9/16"
TOTAL BLADE ROTATION: 60° EACH SIDE
FRAME IS TOUGH BAKED IN POWDER COATED BLUE FINISH
BLADE IS TOUGH BAKED IN POWDER COATED YELLOW FINISH

NEVER EXCEED LOAD CENTER
RATING PER FORKTRUCK
MANUFACTURERS GUIDELINES.

DO NOT USE THIS FORK TRUCK
ATTACHMENT IF LOAD WILL EXCEED
FORK TRUCK MANUFACTURER'S

LOAD CENTER RATING

SPECIAL FEATURES

NONE

DIMENSION TOLERANCE ± 1/4"

APPROVAL

I, THE UNDERSIGNED, AGREE THAT THE PRODUCT AS REPRESENTED SATISFIES DESIGN AND DIMENSION REQUIREMENTS. I ALSO ACKNOWLEDGE MY DUTY TO CONFIRM PRODUCT AND INSTALLATION COMPLIANCE WITH ALL APPLICABLE FEDERAL, STATE AND LOCAL REGULATIONS AND STANDARDS.

UNITS REQUIRING APPROVAL DRAWINGS OR MODIFIED ARE NON-RETURNABLE

[] As drawn [] As marked

Signed: _____ Date: _____

Printed Name: _____

LEAD TIME WILL START UPON RECEIPT OF SIGNED APPROVAL DRAWING

DISTRIBUTOR'S NAME:		P.O.#
VESTIL MANUFACTURING		X
DRAWN BY: TAW		DATE: 4/19/2017
REFERENCE: X		SCALE: 1:26
QUOTED LEAD TIME: X		QUOTE # X
		SALES: X
		FILE NAME: 47-007-040