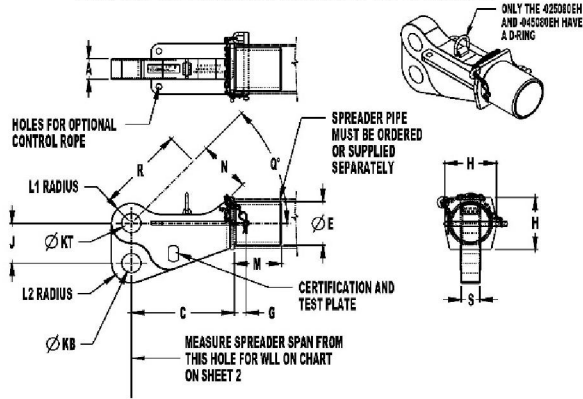


SPREADER BAR END CAP ASSEMBLY (AC25C)

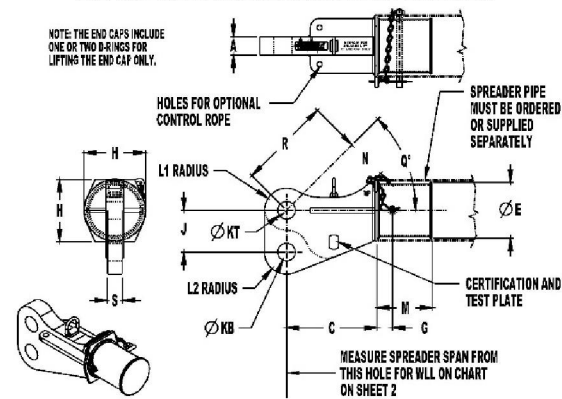
Cage Code: 65059 | Drawing No: SAC25C | Revision: AZ | Sheet: 1 of 4

UNLESS OTHERWISE SPECIFIED, DIMENSIONS ARE IN INCHES

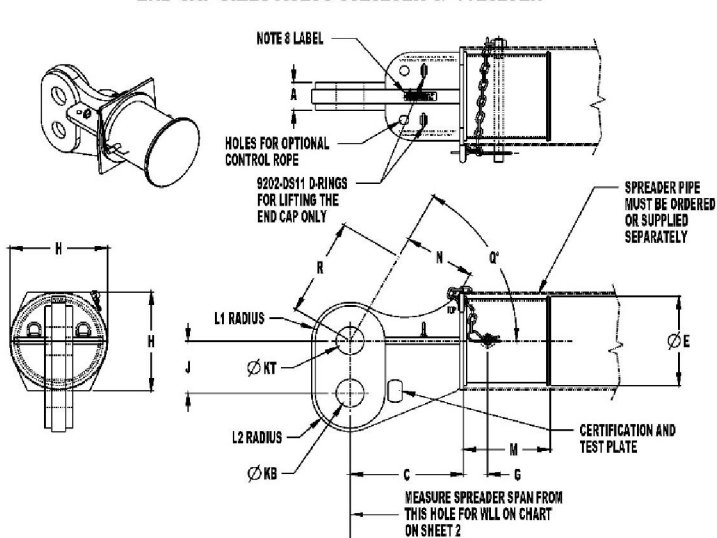
END CAP SIZES AC25C-007030EH TO -045080EH



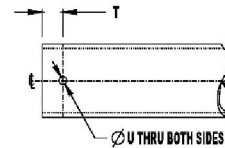
END CAP SIZES AC25C-045100EH TO -250260EH



END CAP SIZES AC25C-552320EH & -772320EH



THIS DRAWING SHOWS SPREADER PIPE HOLE DIMENSION REQUIREMENTS FOR PROPER RETAINER PIN HOLE PLACEMENT



FOR ASTM-A53 TYPE E OR -A53333M OR 6 OR 3 STEEL PIPE, SCHED 80 WALL
 www.tandemloc.com @TANDEMLOC INC 1-800-984-0215
USE IN ACCORDANCE WITH USE MANUAL SAC25C

U.S. PATENT # 7,967,352
 CANADIAN PATENT # 2,639,127
 CANADIAN PATENT # 2,869,062

NOTES:

- DESIGNED & CONSTRUCTED TO CONFORM TO ASME B30.20 & AWS D14.1 TESTING ALSO CONFORMS TO OSHA 2232. DESIGN CATEGORY A.
- MATERIAL IS STEEL, PAINTED YELLOW.
- ASSEMBLIES ARE PROOF TESTED & CERTIFIED FOR THE LOADS SHOWN IN THE CHART ON SHEET 2.
- USE TWO END CAPS, ONE ON EACH END OF SPREADER PIPE FOR A CAPACITY OF 2X THE END CAP WLL.
- USE MANUAL #SAC25C, INCLUDED WITH EACH SET OF PIPE CAPS.
- SEE SHEETS 2, 3 & 4 FOR OTHER DATA
- BECAUSE OF DIMENSIONAL MODIFICATIONS, THE END CAPS MADE AFTER 05/31/03 MAY NOT PROVIDE THE SPAN OR HAVE SAFETY PIN HOLE ALIGNMENT WITH SPREADER PIPES MADE TO SAC22P DIMENSIONS PRIOR TO 05/31/03. END CAPS ARE AVAILABLE TO FIT THOSE CONDITIONS. CONTACT YOUR TANDEMLOC ACCOUNT MGR FOR INFORMATION.
- EACH END CAP HAS A LABEL WITH DATA AS SHOWN BELOW AND THE NOMINAL PIPE SIZE IT FITS. LABEL MAY SAY "SCHED 60 WALL" INSTEAD OF "SCHED 80 WALL" DEPENDING ON SIZE OF END CAP.
- EACH END CAP OVER 8" HAS ONE OR TWO D-RINGS FOR LIFTING THE END CAP ONLY.

To avoid lifter failure, potential death and property damage, never exceed WLL (Working Load Limit).

This document contains the proprietary information of Tandemloc, Inc. and your access and use shall be, and is at all times, pursuant to and limited by the Tandemloc, Inc. Terms of Use.

You shall not, and shall not encourage, assist, or authorize another party to copy, distribute, publicly display, modify, reverse engineer, decompile, or take any other action to reproduce this document or the information contained herein. © Copyright 2014 by Tandemloc, Inc.

Dimensions are subject to manufacturing tolerance and change.



Email: info@tandemloc.com • www.tandemloc.com

824 Highway 101 • Havelock, NC 28532

Tel: 1.800.258.7324 (252.447.7155)

FAX 1.800.892.3273 (252.447.5502)

Tandemloc, Inc. designs, manufactures and tests lifting, securing and mobilizing components for all industries. See our website for details and important safety information.

Read all safety labels and instructions prior to use. Product to be used by qualified personnel only.

SPREADER BAR END CAP ASSEMBLY (AC25C)

Cage Code: 65059 | Drawing No: SAC25C | Revision: AZ | Sheet: 2 of 4

UNLESS OTHERWISE SPECIFIED, DIMENSIONS ARE IN INCHES

| ORDER # FOR NORMAL SERVICE. FOR PREFIX "L" PARTS -SEE NOTE BELOW | A | C | E | G | H | J | KT | KB | LI | L2 | M | N | R | S | WEIGHT | WLL OF SINGLE END CAP | SPREADER PIPE SIZE "P" (NPS) | MAX POTENTIAL WLL FOR A SPREADER BAR ASSEMBLY | PROOF TEST LOAD EACH END CAP | "G" MIN TOP LIFT ANGLE (SEE SHEET 3) | T | U |
|---|-------------------|-------|------------|------|-------|-------|------|------|-------|-------|-------|-------|-------|-----------|------------|--------------------------|---------------------------------|---|---------------------------------|--|------|------|
| AC25C-007030EH | 1.25 ±.13 0.02 | 6.75 | 2.75 ±.03 | 2.00 | 3.63 | 3.00 | 1.50 | 1.50 | 1.75 | 1.75 | 3.00 | 3.14 | 5.70 | 1.25 | 18.2 LB | 14,000 LB | 3" EXTRA HEAVY * | 28,000 LB | 17,500 LB ASME B30.20 | 45° | 2.00 | 1.00 |
| AC25C-013030EH | 1.75 ±.16 0.02 | 8.25 | 2.75 ±.03 | 2.00 | 3.63 | 4.00 | 2.25 | 2.25 | 2.00 | 2.00 | 3.00 | 4.20 | 6.76 | 1.75 | 29.4 LB | 26,000 LB | 3" EXTRA HEAVY * | 52,000 LB | 32,500 LB ASME B30.20 | 45° | 2.00 | 1.00 |
| AC25C-013040EH | 1.75 ±.16 0.02 | 9.00 | 3.63 ±.03 | 2.00 | 4.63 | 4.00 | 2.25 | 2.25 | 2.00 | 2.00 | 4.00 | 4.20 | 7.47 | 1.75 | 38.6 LB | 26,000 LB | 4" EXTRA HEAVY * | 52,000 LB | 32,500 LB ASME B30.20 | 45° | 2.00 | 1.00 |
| AC25C-013050EH | 1.75 ±.16 0.02 | 9.75 | 4.63 ±.04 | 2.00 | 5.75 | 4.00 | 2.25 | 2.25 | 2.00 | 2.00 | 5.00 | 4.38 | 8.35 | 1.75 | 47.5 LB | 26,000 LB | 5" EXTRA HEAVY * | 52,000 LB | 32,500 LB ASME B30.20 | 45° | 2.00 | 1.00 |
| AC25C-013060EH | 1.75 ±.16 0.02 | 10.25 | 5.56 ±.05 | 2.00 | 6.75 | 4.00 | 2.25 | 2.25 | 2.00 | 2.00 | 6.00 | 4.38 | 9.06 | 1.75 | 64.7 LB | 26,000 LB | 6" EXTRA HEAVY * | 52,000 LB | 32,500 LB ASME B30.20 | 45° | 2.00 | 1.00 |
| AC25C-025040EH | 2.50 ±.17 0.02 | 12.97 | 3.63 ±.03 | 2.00 | 4.63 | 5.50 | 2.50 | 2.50 | 2.75 | 2.75 | 4.00 | 7.01 | 10.28 | 2.13 | 83.7 LB | 50,000 LB | 4" EXTRA HEAVY * | 100,000 LB | 62,500 LB ASME B30.20 | 45° | 2.00 | 1.00 |
| AC25C-025050EH | 2.50 ±.17 0.02 | 13.47 | 4.63 ±.04 | 2.00 | 5.75 | 5.50 | 2.50 | 2.50 | 2.75 | 2.75 | 5.00 | 7.01 | 10.98 | 2.13 | 94.6 LB | 50,000 LB | 5" EXTRA HEAVY * | 100,000 LB | 62,500 LB ASME B30.20 | 45° | 2.00 | 1.00 |
| AC25C-025060EH | 2.50 ±.17 0.02 | 14.43 | 5.56 ±.05 | 2.00 | 6.75 | 5.50 | 2.50 | 2.50 | 2.75 | 2.75 | 6.00 | 7.33 | 12.01 | 2.13 | 123.0 LB | 50,000 LB | 6" EXTRA HEAVY * | 100,000 LB | 62,500 LB ASME B30.20 | 45° | 2.00 | 1.00 |
| AC25C-025080EH | 2.50 ±.17 0.02 | 15.43 | 7.38 ±.07 | 2.00 | 8.75 | 5.50 | 2.50 | 2.50 | 2.75 | 2.75 | 8.00 | 7.33 | 13.43 | 2.13 | 168.9 LB | 50,000 LB | 8" EXTRA HEAVY * | 100,000 LB | 62,500 LB ASME B30.20 | 45° | 2.00 | 1.00 |
| AC25C-045060EH | 3.50 ±.19 0.02 | 14.75 | 5.56 ±.05 | 2.00 | 6.75 | 6.75 | 3.25 | 3.25 | 3.38 | 3.38 | 6.00 | 7.56 | 12.24 | 3.13 | 183.4 LB | 90,000 LB | 6" EXTRA HEAVY * | 180,000 LB | 112,500 LB ASME B30.20 | 45° | 2.00 | 1.00 |
| AC25C-045080EH | 3.50 ±.19 0.02 | 17.36 | 7.38 ±.07 | 2.00 | 8.75 | 6.75 | 3.25 | 3.25 | 3.38 | 3.38 | 8.00 | 8.70 | 14.79 | 3.13 | 246.5 LB | 90,000 LB | 8" EXTRA HEAVY * | 180,000 LB | 112,500 LB ASME B30.20 | 45° | 2.00 | 1.00 |
| AC25C-045100EH | 3.50 ±.19 0.02 | 18.50 | 9.58 ±.03 | 2.00 | 10.88 | 6.75 | 3.25 | 3.25 | 3.38 | 3.38 | 11.00 | 8.93 | 16.53 | 3.13 | 286.8 LB | 90,000 LB | 10" EXTRA HEAVY ** | 180,000 LB | 112,500 LB ASME B30.20 | 45° | 2.00 | 1.00 |
| AC25C-065100EH | 4.00 ±.22 0.02 | 21.25 | 9.58 ±.03 | 2.00 | 10.88 | 8.00 | 4.00 | 4.00 | 4.50 | 4.50 | 11.00 | 10.87 | 18.48 | 4.00 | 414.5 LB | 130,000 LB | 10" EXTRA HEAVY ** | 260,000 LB | 143,000 LB ASME B30.20 | 45° | 2.00 | 1.00 |
| AC25C-065120EH | 4.00 ±.22 0.02 | 22.75 | 11.48 ±.03 | 4.00 | 12.88 | 8.00 | 4.00 | 4.00 | 4.50 | 4.50 | 13.50 | 11.31 | 19.80 | 4.00 | 492.5 LB | 130,000 LB | 12" EXTRA HEAVY | 260,000 LB | 143,000 LB ASME B30.20 | 45° | 4.00 | 1.56 |
| AC25C-085140EH | 4.00 ±.22 0.02 | 20.75 | 12.61 ±.03 | 4.00 | 14.28 | 9.50 | 4.00 | 4.00 | 5.00 | 5.00 | 14.50 | 13.83 | 16.06 | 4.00 | 584.0 LB | 170,000 LB | 14" EXTRA HEAVY | 340,000 LB | 187,000 LB ASME B30.20 | 60° | 4.00 | 1.56 |
| AC25C-250260EH | 5.00 ±.22 0.02 | 25.00 | 24.68 ±.03 | 6.00 | 26.50 | 12.00 | 5.50 | 5.50 | 9.18 | 9.18 | 26.00 | 11.34 | 24.83 | 5.00 | 2,017.7 LB | 500,000 LB | 26" EXTRA HEAVY | 1,000,000 LB | 550,000 LB OSHA 2232 | 60° | 6.00 | 2.00 |
| AC25C-552320EH | 9.33 ±.33 | 35.25 | 30.62 ±.03 | 7.00 | 32.50 | 17.00 | 8.12 | 7.34 | 11.00 | 11.00 | 26.50 | 25.50 | 26.42 | SEE DIM A | 4,000.0 LB | 1,104,000 LB | 32" EXTRA HEAVY | 2,208,000 LB | 1,214,400 LB OSHA 2232 | 70° | 7.00 | 2.00 |
| AC25C-772320EH | 11.38 ±.38 | 39.95 | 30.62 ±.03 | 7.00 | 32.50 | 20.25 | 9.31 | 8.75 | 14.00 | 12.25 | 26.50 | 25.39 | 33.43 | SEE DIM A | 5,545.9 LB | 1,544,000 LB | 32" EXTRA HEAVY | 3,088,000 LB | 1,698,400 LB OSHA 2232 | 70° | 7.00 | 2.00 |

*OR SCHEDULE 80
**OR SCHEDULE 60

NOTE:
THE ORDER NUMBERS IN THE ABOVE LEFT HAND COLUMN ARE
TO ORDER END EYE CAPS FOR STANDARD SERVICE TEMPERATURE PER
TANDEMLOC STANDARD #EAD21000A.

SEE SHEET 1, 3 & 4 FOR OTHER DATA.

NOTE:
TO ORDER LOW TEMPERATURE ARCTIC TYPE LIFT GEAR ALSO PER
TANDEMLOC STANDARD #EAD21000A, ADD PREFIX "L" TO THE ABOVE
NOTED STANDARD NUMBER. FOR EXAMPLE, AC25C-045089EH
STANDARD ORDER NO. BECOMES LAC25C-045089EH ARCTIC
ORDER NO.

U.S. PATENT # 7,967,352
CANADIAN PATENT # 2,639,127
CANADIAN PATENT # 2,869,062

To avoid lifter failure, potential death and property damage, never exceed WLL (Working Load Limit).

This document contains the proprietary information of Tandemloc, Inc. and your access and use shall be, and is at all times, pursuant to and limited by the Tandemloc, Inc. Terms of Use.

You shall not, and shall not encourage, assist, or authorize another party to copy, distribute, publicly display, modify, reverse engineer, decompile, or take any other action to reproduce this document or the information contained herein. © Copyright 2014 by Tandemloc, Inc.

Dimensions are subject to manufacturing tolerance and change.



Email: info@tandemloc.com • www.tandemloc.com
824 Highway 101 • Havelock, NC 28532
Tel: 1.800.258.7324 (252.447.7155)
FAX 1.800.892.3273 (252.447.5502)

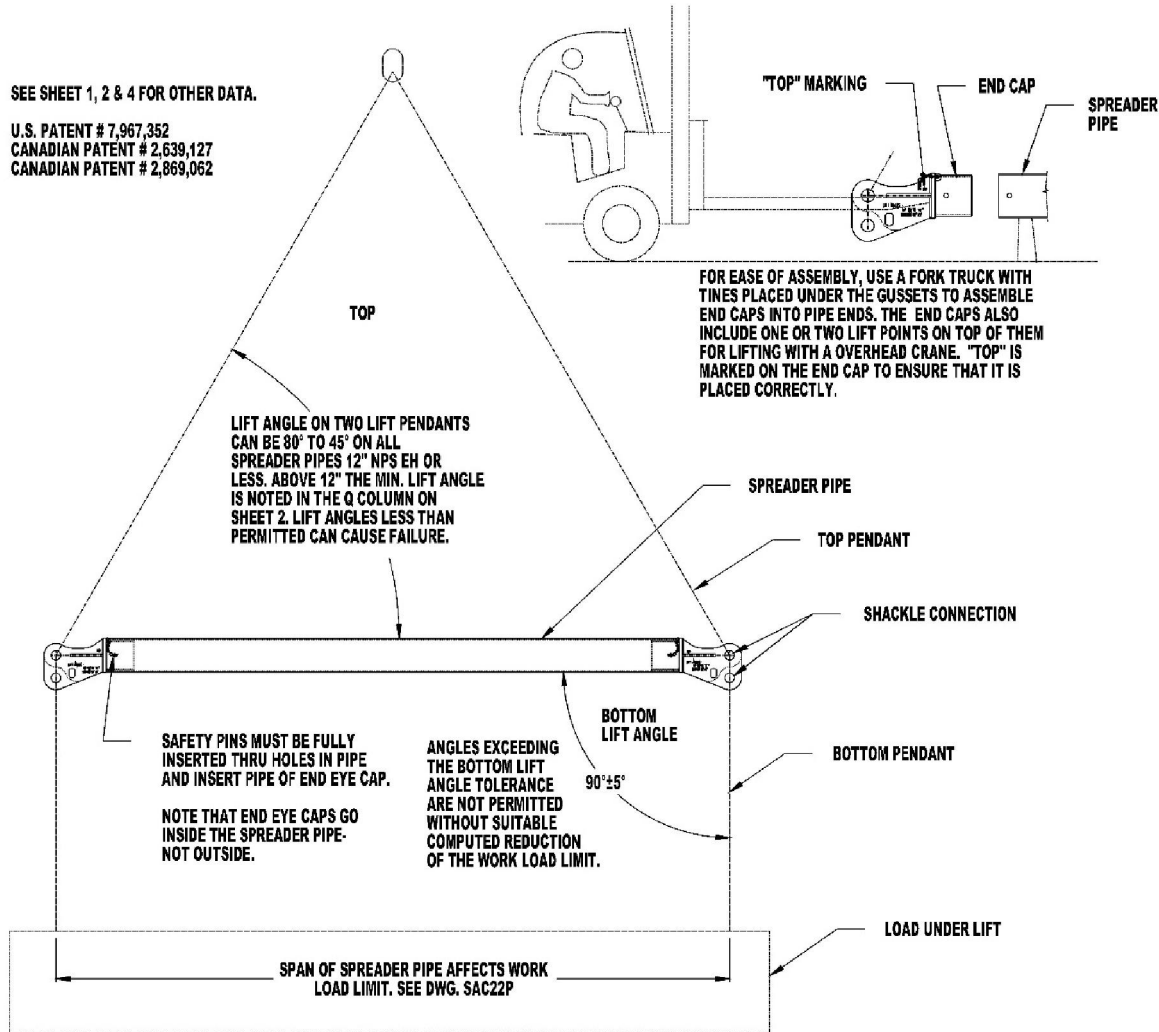
Tandemloc, Inc. designs, manufactures and tests lifting, securing and mobilizing components for all industries. See our website for details and important safety information.

Read all safety labels and instructions prior to use. Product to be used by qualified personnel only.

SPREADER BAR END CAP ASSEMBLY (AC25C)

Cage Code: 65059 | Drawing No: SAC25C | Revision: AZ | Sheet: 3 of 4

UNLESS OTHERWISE SPECIFIED, DIMENSIONS ARE IN INCHES



To avoid lifter failure, potential death and property damage, never exceed WLL (Working Load Limit).

This document contains the proprietary information of Tandemloc, Inc. and your access and use shall be, and is at all times, pursuant to and limited by the Tandemloc, Inc. Terms of Use.

You shall not, and shall not encourage, assist, or authorize another party to copy, distribute, publicly display, modify, reverse engineer, decompile, or take any other action to reproduce this document or the information contained herein. © Copyright 2014 by Tandemloc, Inc.

Dimensions are subject to manufacturing tolerance and change.



Email: info@tandemloc.com • www.tandemloc.com

824 Highway 101 • Havelock, NC 28532

Tel: 1.800.258.7324 (252.447.7155)

FAX 1.800.892.3273 (252.447.5502)

Tandemloc, Inc. designs, manufactures and tests lifting, securing and mobilizing components for all industries. See our website for details and important safety information.

Read all safety labels and instructions prior to use. Product to be used by qualified personnel only.

U.S. PATENT # 7,967,352
 CANADIAN PATENT # 2,639,127
 CANADIAN PATENT # 2,869,062

SPREADER BAR END CAP ASSEMBLY (AC25C)

Cage Code: 65059 | Drawing No: SAC25C | Revision: AZ | Sheet: 4 of 4

UNLESS OTHERWISE SPECIFIED, DIMENSIONS ARE IN INCHES

STEEL SPREADER PIPE* CAPACITY CHART

WORK LOAD LIMITS ARE SHOWN IN TONS (2,000 LB.), LOADS ARE IN CONFORMANCE TO ASME B30.9c AND B30.29. STEEL PIPE CONFORMS TO ASTM A500 GRADE B, ASTM A53 GRADE B OR ANY STRUCTURAL PIPE RATED AT 35,000 PSI OR GREATER AND FOR LOW TEMPERATURE SERVICE (T0-50°F) TO ASTM A333/A333M GR 6 OR 7. WALL THICKNESS IS DEFINED IN CHART.

SEE SHEETS 1, 2 & 3 FOR OTHER DATA.

** TOP SLING LIFT ANGLE TO HORIZONTAL
 X SECTION TOO LONG FOR SAFE LIFTING
 XX SECTION TOO SHORT FOR END CAP
 * SECTION TOO SHORT FOR HEAVY DUTY END CAP
 - UNCALCULATED AT THIS DATE, CALL FOR DETAILS

| Nominal Pipe Size - lb./ft Inner Dia. - wall thickness Sling Angle | 3" - 10.25lb./ft | | 4" - 14.98lb./ft | | 5" - 20.78lb./ft | | 6" - 28.57lb./ft | | 8" - 43.39lb./ft | | 10" - 54.74lb./ft | | 12" - 65.42lb./ft | | 14" - 72.09lb./ft | 26" - 136.2lb./ft | 32" - 168.2lb./ft | | |
|--|------------------|-----|------------------|-----|------------------|-----|------------------|-----|------------------|------------------|-------------------|------------------|-------------------|------------------|-------------------|-------------------|-------------------|------------------|------|
| | 2.90 - .300 | | 3.826 - .337 | | 4.813 - .375 | | 5.761 - .432 | | 7.625 - .500 | | 9.75 - .500 | | 11.750 - .500 | | 13.000 - .500 | 25.000 - .500 | 31.000 - .500 | | |
| | 45° | 60° | 45° | 60° | 45° | 60° | 45° | 60° | 45° | 60° | 45° | 60° | 45° | 60° | 60° | 60° | 70° | | |
| Span between lift points | 3 ft | 26 | 26 | 50 | 50 | 26 | 26 | 26 | 26 | Spread too short | Spread too short | Spread too short | Spread too short | Spread too short | Spread too short | Spread too short | Spread too short | | |
| | 4 ft | 26 | 26 | 50 | 50 | 50 | 50 | 85 | 90 | 50 | 50 | Spread too short | Spread too short | Spread too short | Spread too short | Spread too short | Spread too short | | |
| | 5 ft | 26 | 26 | 50 | 50 | 50 | 50 | 85 | 90 | 85 | 90 | 85 | 90 | Spread too short | Spread too short | Spread too short | Spread too short | | |
| | 6 ft | 26 | 26 | 50 | 50 | 50 | 50 | 85 | 90 | 85 | 90 | 130 | 130 | Spread too short | 170 | Spread too short | Spread too short | | |
| | 8 ft | 26 | 26 | 50 | 50 | 50 | 50 | 85 | 90 | 85 | 90 | 130 | 130 | 130 | 130 | 170 | Spread too short | Spread too short | |
| | 10 ft | 17 | 26 | 43 | 50 | 50 | 50 | 85 | 90 | 85 | 90 | 130 | 130 | 130 | 130 | 170 | 500 | Spread too short | |
| | 15 ft | 7 | 13 | 19 | 33 | 41 | 50 | 81 | 90 | 85 | 90 | 130 | 130 | 130 | 130 | 170 | 500 | 1544 | |
| | 19 ft | 4 | 8 | 11 | 20 | 25 | 45 | 50 | 88 | 85 | 90 | 130 | 130 | 130 | 130 | 170 | 500 | 1544 | |
| | 20 ft | X | X | 10 | 18 | 23 | 40 | 45 | 79 | 85 | 90 | 130 | 130 | 130 | 130 | 170 | 500 | 1544 | |
| | 24 ft | X | X | 7 | 12 | 16 | 28 | 31 | 55 | 83 | 90 | 130 | 130 | 130 | 130 | 170 | 500 | 1544 | |
| | 25 ft | X | X | X | X | 14 | 25 | 29 | 50 | 76 | 90 | 130 | 130 | 130 | 130 | 170 | 500 | 1544 | |
| | 30 ft | X | X | X | X | 10 | 17 | 20 | 35 | 52 | 90 | 106 | 130 | 130 | 130 | 170 | 500 | 1544 | |
| | 35 ft | X | X | X | X | X | X | 14 | 25 | 38 | 67 | 77 | 130 | 130 | 130 | 170 | 500 | 1544 | |
| | 36 ft | X | X | X | X | X | X | X | 13 | 24 | 36 | 63 | 73 | 128 | 126 | 130 | 170 | 500 | 1544 |
| | 40 ft | X | X | X | X | X | X | X | X | X | 29 | 51 | 59 | 103 | 101 | 130 | 170 | 500 | 1544 |
| | 45 ft | X | X | X | X | X | X | X | X | X | 22 | 40 | 46 | 81 | 79 | 130 | 170 | 500 | 1544 |
| | 48 ft | X | X | X | X | X | X | X | X | X | 19 | 35 | 40 | 71 | 69 | 122 | 164 | 500 | 1544 |
| | 50 ft | X | X | X | X | X | X | X | X | X | X | X | 37 | 65 | 64 | 112 | 150 | 500 | 1544 |
| | 55 ft | X | X | X | X | X | X | X | X | X | X | X | 30 | 53 | 52 | 92 | 124 | 500 | 1544 |
| | 60 ft | X | X | X | X | X | X | X | X | X | X | X | 24 | 44 | 43 | 77 | 103 | 500 | 1544 |
| 66 ft | X | X | X | X | X | X | X | X | X | X | X | X | X | 35 | 63 | 85 | 500 | 1544 | |
| 70 ft | X | X | X | X | X | X | X | X | X | X | X | X | X | 31 | 55 | 75 | 500 | 1544 | |
| 72 ft | X | X | X | X | X | X | X | X | X | X | X | X | X | 29 | 52 | 70 | 490 | 1476 | |
| 79 ft | X | X | X | X | X | X | X | X | X | X | X | X | X | X | X | 58 | 405 | 1224 | |
| 90 ft | X | X | X | X | X | X | X | X | X | X | X | X | X | X | X | X | 310 | 940 | |
| 100 ft | X | X | X | X | X | X | X | X | X | X | X | X | X | X | X | X | 249 | 758 | |

To avoid lifter failure, potential death and property damage, never exceed WLL (Working Load Limit).

This document contains the proprietary information of Tandemloc, Inc. and your access and use shall be, and is at all times, pursuant to and limited by the Tandemloc, Inc. Terms of Use.

You shall not, and shall not encourage, assist, or authorize another party to copy, distribute, publicly display, modify, reverse engineer, decompile, or take any other action to reproduce this document or the information contained herein. © Copyright 2014 by Tandemloc, Inc.

Dimensions are subject to manufacturing tolerance and change.



Email: info@tandemloc.com • www.tandemloc.com
 824 Highway 101 • Havelock, NC 28532
 Tel: 1.800.258.7324 (252.447.7155)
 FAX 1.800.892.3273 (252.447.5502)

Tandemloc, Inc. designs, manufactures and tests lifting, securing and mobilizing components for all industries. See our website for details and important safety information.

Read all safety labels and instructions prior to use. Product to be used by qualified personnel only.