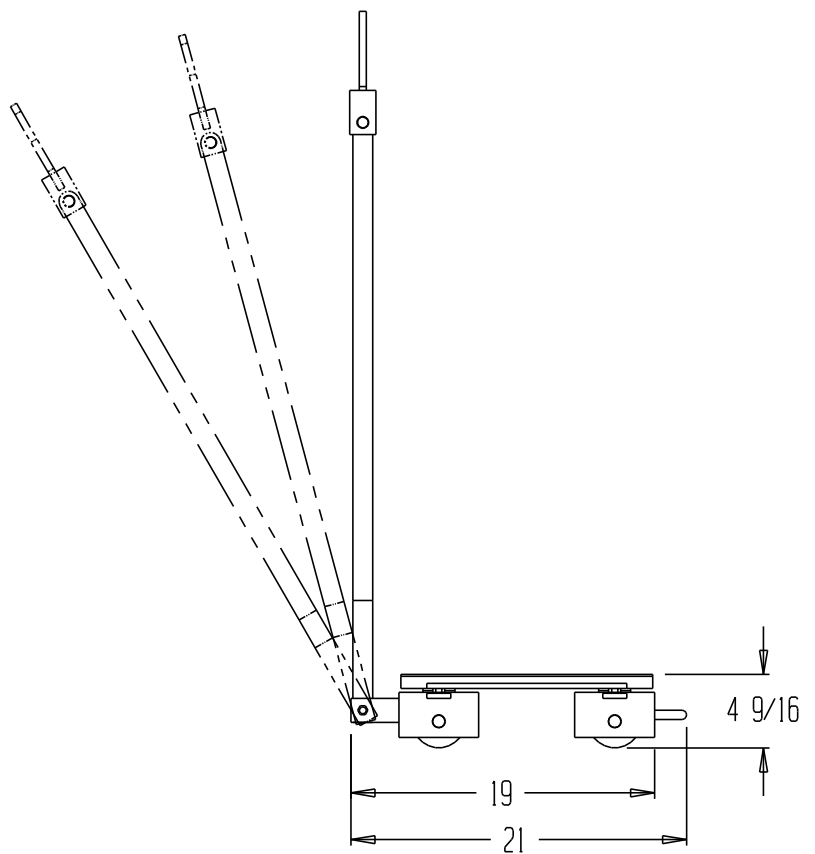
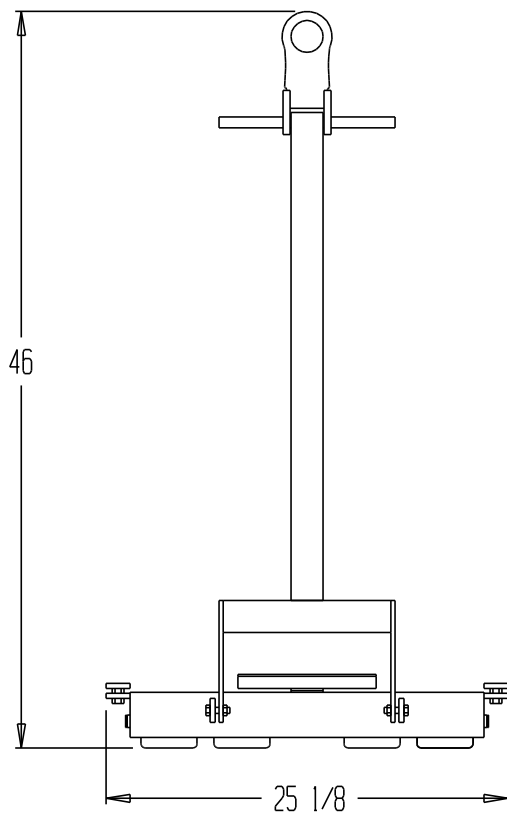
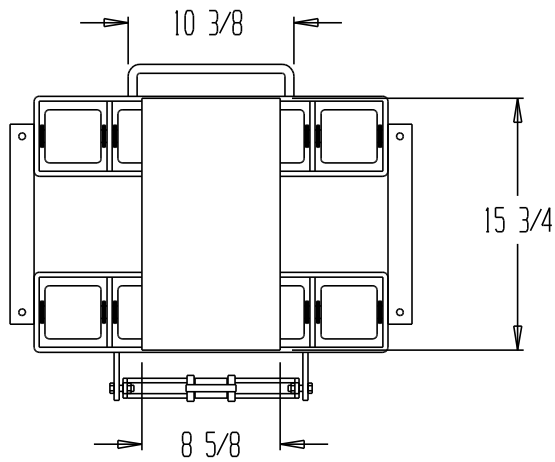


# STEERABLE MACHINERY SKATE - SSKT-6



## STANDARD FEATURES

MODEL NUMBER: SSKT-6  
 CAPACITY: 12,000 LBS  
 OVERALL WIDTH: 21"  
 OVERALL LENGTH: 25 1/8"  
 OVERALL HEIGHT: 46"  
 (8) NYLON ROLLERS

## SPECIAL FEATURES

NONE

PRODUCTION WILL START UPON  
 RECEIPT OF SIGNED APPROVAL  
 DRAWING

\*\*SPECIAL UNITS ARE NON-RETURNABLE  
 \*AVAILABLE AT ADDITIONAL COSTS

## APPROVAL

I, the undersigned, hereby approve this print  
 As drawn       As marked  
 This includes my approval of design & dimensions.  
 Signed: \_\_\_\_\_  
 Date: \_\_\_\_\_

DISTRIBUTOR'S NAME: <b>T &amp; S EQUIPMENT</b>		P.O.#: -
DRAWN BY: KY		W.O.#: -
DATE: 9/17/04		SALES: -
REFERENCE: -	DRWG./FILE NAME: 33-007-130	scale: 1:12