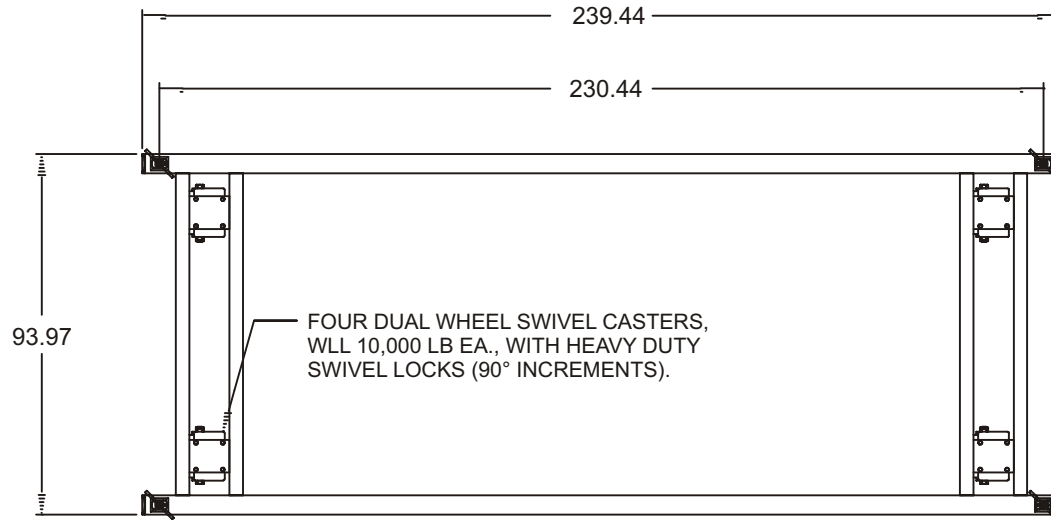


CONTAINER CART 20T WLL (T10000B-1PA)

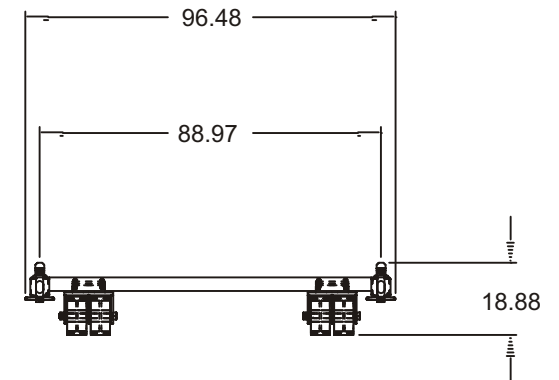
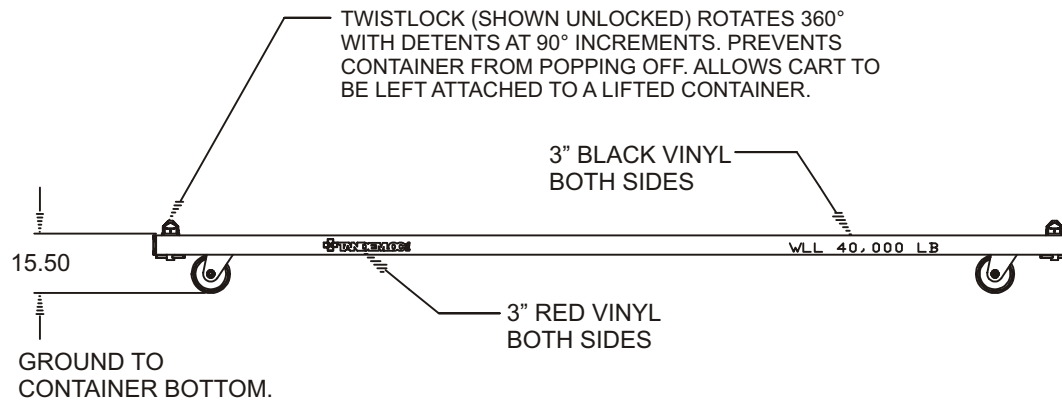
Cage Code: 65059 | Drawing No: ST10000B | Revision: B | Sheet: 1 of 1

UNLESS OTHERWISE SPECIFIED, DIMENSIONS ARE IN INCHES



NOTES:

1. P/N: T10000B-1PA, CONTAINER CART.
2. WLL: 40,000 LB. (20 TONS)
3. FINISH: SANDBLAST, PRIME AND PAINT SAFETY YELLOW
4. CALCULATED WEIGHT 1,705 LB.



REV	DESCRIPTION	REVISIONS	DATE	APP.
A	ADDED SHEET 2		3/11/05	MRD
B	OPTIONAL TOWBAR WAS A -1PA AND NOW IS A -2PA		12/04/08	DAH

To avoid lifter failure, potential death and property damage, never exceed WLL (Working Load Limit)

This document contains the proprietary information of Tandemloc, Inc. and your access and use shall be, and is at all times, pursuant to and limited by the Tandemloc, Inc. Terms of Use.

You shall not, and shall not encourage, assist, or authorize another party to copy, distribute, publically display, modify, reverse engineer, decompile, or take any other action to reproduce or replicate this document or the information contained herein. © Copyright 2012 by Tandemloc, Inc.

Dimensions are subject to manufacturing tolerance and change.



Email: info@tandemloc.com • www.tandemloc.com
 824 Highway 101 • Havelock, NC 28532
 TEL: 1.800.258.7324 (252.447.7155)
 FAX: 1.800.892.3273 (252.447.5502)

Tandemloc designs, manufactures and tests lifting, securing and mobilizing components for all industries. See our website for details and important safety information.

Read all safety labels and instructions prior to use. Product to be used by qualified personnel only.