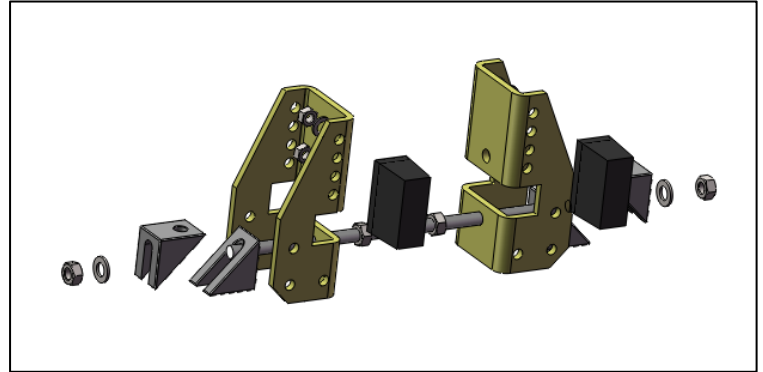




## TROLLEY BEAM END STOP

### Key Specifications:

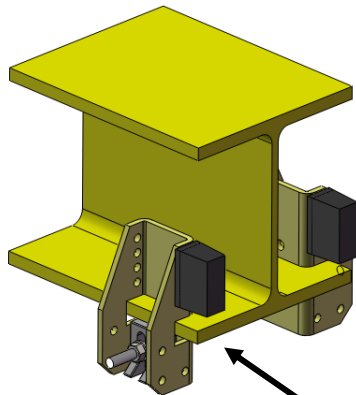
- BEAM WIDTH: 3.22" TO 11.81"
- MAX BEAM THICKNESS: 0.78"



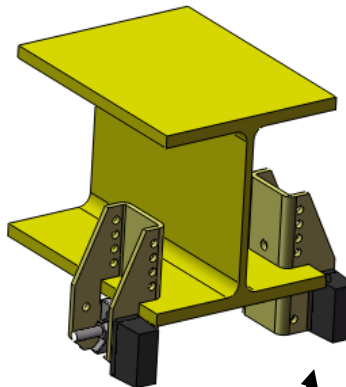
### Clamps directly onto a beam's flange. Fully Adjustable.

The Bison End Stops are a great solution to simply clamp on stops for your monorail or bridge to prevent a hoist or trolley from traveling further than the clamping point. Fits W-Beams. Includes full assembly (nuts, bolts, buffer blocks, threaded rods, and brackets). The adjustable buffer blocks allow for compatibility of a wide range of hoist and trolley brands. The adjustable flange width accommodates for a variety of beam profiles.

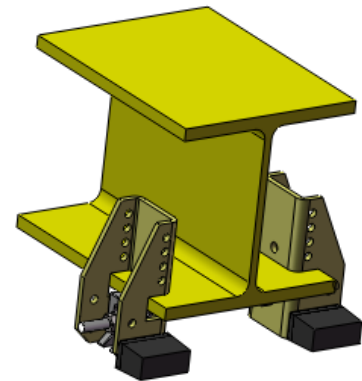
**Config. 1**  
( 2 Different Heights)



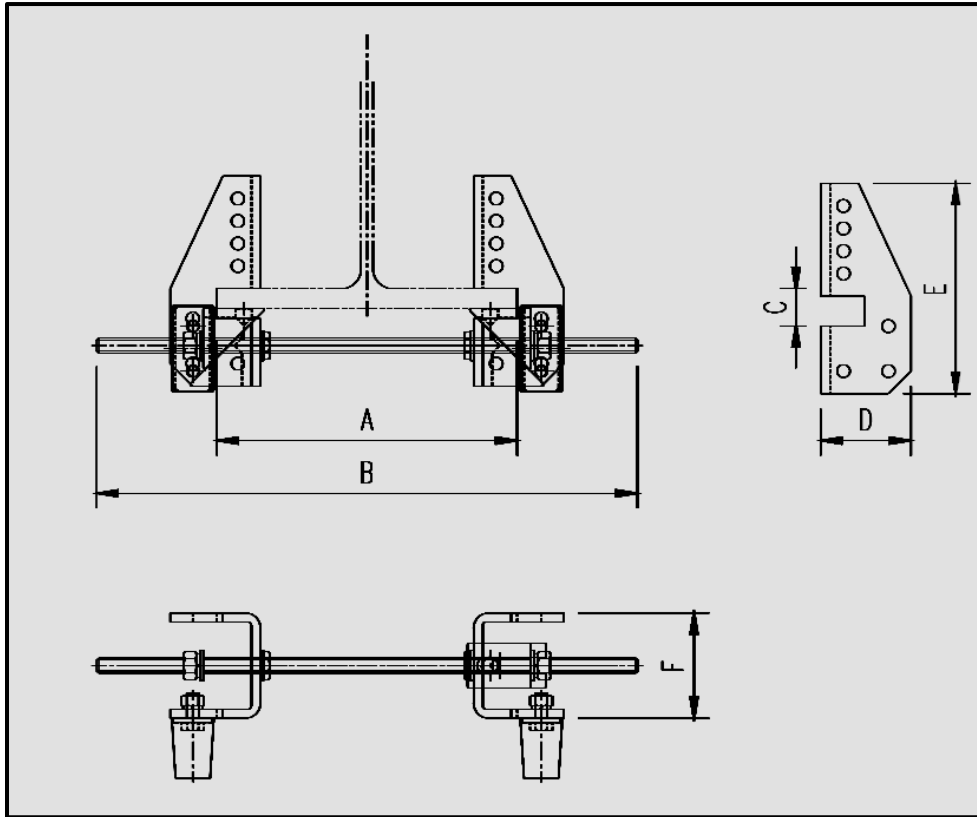
**Config. 2**



**Config. 3**



Adjustable Buffer Block



## DIMENSIONS

A	B	C	D	E	F	Weight
3.22" – 11.81"	14.25"	0.87"	2.36"	5.5"	2.75"	11 lbs.

- Galvanized Steel
- Impact Force 20,000 lbs. @ 33ft/min.
- Impact Force 4,000 lbs. @ 92 ft/min.

**END STOPS ARE SOLD IN PAIRS**