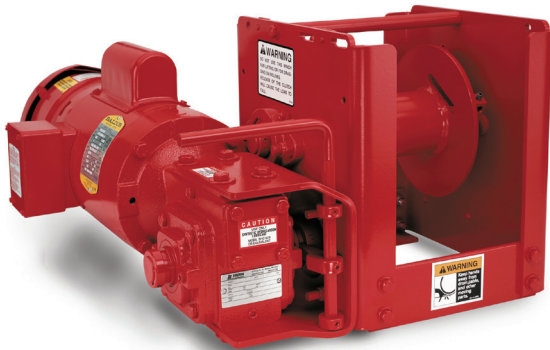


# 4WS SERIES POWER WINCHES

Series 4WS3M10 shown with clutch



Wire rope assemblies and controls sold separately

## Series 4WS Worm/Spur Gear Power Winches

Up to 6000 lb capacity



- **Modular Design** allows us to make-to-order each winch to meet your exact needs.
- **Standard Features** include TEFC brake motors, enclosed machine cut gearing and flange style ball bearings.
- **Custom Modifications** available include grooved drums, special drum lengths and diameters, limit switches, roller pressure bars, and special finishes. Pneumatic, hydraulic and alternate motor voltages are also available.
- **Two-year Limited Warranty**

### Series 4WS Electric – Configurations and Performance Characteristics – Section 2

When ordering, please indicate Model Number and Extensions

Examples: 4WS1M6-1100-20-A (without clutch); 4WS1M6-1100-20-A-C (with clutch)

model number	model number extensions		motor codes	clutch option	motor hp	load rating(lb)			wire rope dia.(in)	line speed(fpm)		drum capacity(ft) <sup>1</sup>			approx. <sup>2</sup> ship wt.(lb)
	load rating	line speed				1st layer	mid drum	full drum		1st layer	full drum	1st layer	mid drum	full drum	
4WS1M6	800	15	A, B, D, E, F	C	.5	800	550	420	3/16	17	33	21	110	260	155
4WS1M6	800	30	A, B, D, E, F	C	.75	800	550	420	3/16	29	55	21	110	260	165
4WS1M6	800	40	A, B, D, E, F	C	1	800	550	420	3/16	43	82	21	110	260	175
4WS1M6	1100	20	A, B, D, E, F	C	.75	1100	800	600	1/4	18	32	16	62	140	165
4WS1M6	1100	30	A, B, D, E, F	C	1	1100	800	600	1/4	30	54	16	62	140	175
4WS1M6	1100	40	D, E, F	C	1.5	1100	800	600	1/4	44	81	16	62	140	170
4WS1M6	1500	20	A, B, D, E, F	C	1	1500	1000	800	1/4	18	32	16	62	140	175
4WS1M6	1500	30	D, E, F	C	1.5	1500	1100	800	1/4	30	54	16	62	140	170
4WS1M6	1500	40	B, D, E, F	C	2	1500	1100	800	1/4	44	81	16	62	140	180
clutch option for 4WS1M6 (for horizontal pulling only)														add:	5
4WS3M10	2000	15	A, B, D, E, F	C	1	2000	1300	1000	5/16	14	29	34	220	500	310
4WS3M10	2000	20	D, E, F	C	1.5	2200	1400	1000	5/16	18	39	34	220	500	305
4WS3M10	2500	20	B, D, E, F	C	2	2500	1600	1200	3/8	22	46	27	160	360	320
4WS3M10	3000	15	D, E, F	C	1.5	3000	2000	1500	3/8	14	29	27	160	360	305
4WS3M10	3000	20	B, D, E, F	C	2	3000	2000	1500	3/8	19	39	27	160	360	320
4WS3M10	3500	7	A, B, D, E, F	C	1	3500	2300	1700	7/16	8	15	23	120	270	330
4WS3M10	3500	15	B, D, E, F	C	2	3700	2500	1800	7/16	14	29	23	120	270	320
4WS3M10	3500	20	D, E, F	C	3	3700	2500	1800	7/16	23	46	23	120	270	330
clutch option for 4WS3M10 (for horizontal pulling only)														add:	8
4WS6M12	3000	10	D, E, F	C	1.5	3400	2200	1600	3/8	12	25	40	300	660	515
4WS6M12	3000	20	B, D, E, F	C	2	3100	2000	1500	3/8	20	42	40	300	660	530
4WS6M12	4000	10	B, D, E, F	C	2	4500	2900	2100	7/16	12	25	34	220	500	530
4WS6M12	4000	20	D, E, F	C	3	4000	2500	1900	7/16	24	50	34	220	500	540
4WS6M12	6000	4	A, B, D, E, F	C	1	6200	4000	3000	1/2	4	8	30	170	390	535
4WS6M12	6000	10	D, E, F	C	3	6400	4200	3100	9/16	12	25	26	140	310	540
4WS6M12	6000	20	D, E, F	C	5	6400	4200	3100	9/16	24	50	26	140	310	585
clutch option for 4WS6M12 (for horizontal pulling only)														add:	12

#### Motor Codes

<b>A</b>	115 volt	1 phase
<b>B</b>	230 volt	1 phase
<b>D</b>	230 volt	3 phase
<b>E</b>	460 volt	3 phase
<b>F</b>	All other voltages – please contact factory.	

■ For more information and other control options, please see pages 46-48.

■ Custom controls are available including wireless remote control, variable speed control, electronic overload, and enclosures for special environments.

Please contact factory or nearest Thern Distributor for firm fixed price and delivery.

<sup>1</sup> Actual drum capacities 25-30% less, due to nonuniform winding. Wire rope tension will also affect drum capacity.

<sup>2</sup> Weight may vary with motor.

#### Electric Drum Control Switches – Order Separately – Section 2

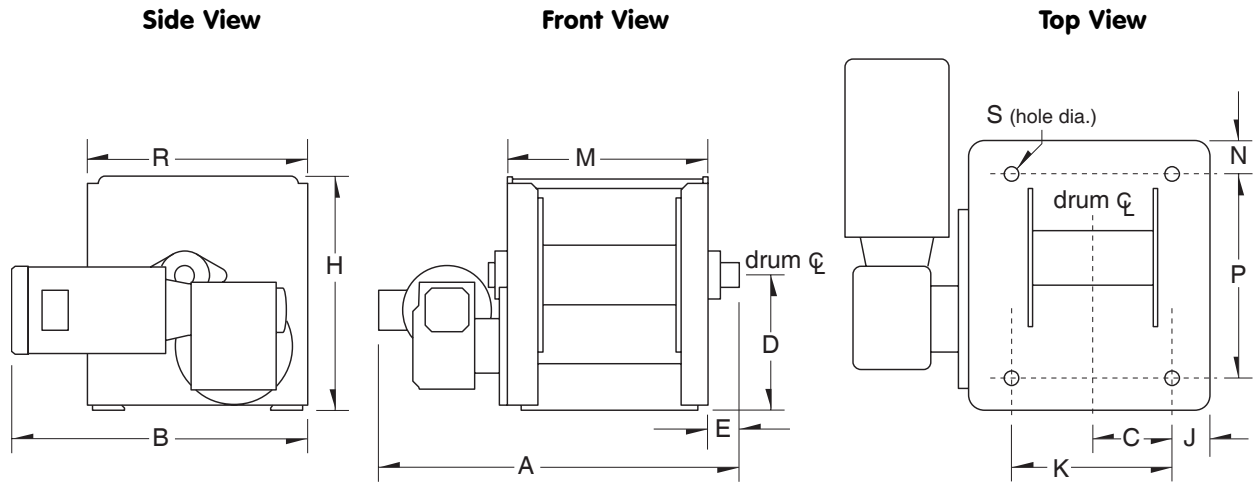
model	description	115/1/60 <sup>3</sup>	230/1/60	230/3/60	460/3/60
10L2A1	NEMA 1	to 1.5 hp	to 2 hp	to 3 hp	to 3 hp
10L7E1	NEMA 1	to 1.5 hp	to 3 hp	to 5 hp	to 7.5 hp
10L2A4	NEMA 4 – watertight	to 1.5 hp	to 2 hp	to 3 hp	to 3 hp
10L7E4	NEMA 4 – watertight	—	to 3 hp	to 5 hp	to 7.5 hp
10P1A46	6 ft pendant control	to 1 hp	—	—	—

Please contact factory or nearest Thern Distributor for firm fixed price and delivery.

<sup>3</sup> Controls for 115V single phase motors up to 1.5 hp, include an 8 ft power cord with grounded plug.

See Dimensions on Next Page

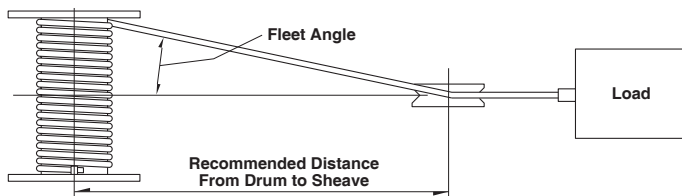
# 4WS SERIES POWER WINCHES



## Series 4WS – Winch Dimensions (in)

model extension	A	B	C	D	E	H	J	K	M	N	P	R	S (hole dia.)
4WS1M6-800-15	21.00	21.62	3.00	6.75	2.25	11.75	1.75	6.00	9.75	1.25	8.50	11.00	.44
4WS1M6-800-30	21.00	22.38	3.00	6.75	2.25	11.75	1.75	6.00	9.75	1.25	8.50	11.00	.44
4WS1M6-800-40	21.75	23.38	3.00	6.75	2.25	11.75	1.75	6.00	9.75	1.25	8.50	11.00	.44
4WS1M6-1100-20	21.00	22.38	3.00	6.75	2.25	11.75	1.75	6.00	9.75	1.25	8.50	11.00	.44
4WS1M6-1100-30	21.75	23.38	3.00	6.75	2.25	11.75	1.75	6.00	9.75	1.25	8.50	11.00	.44
4WS1M6-1100-40	21.75	22.38	3.00	6.75	2.25	11.75	1.75	6.00	9.75	1.25	8.50	11.00	.44
4WS1M6-1500-20	21.75	23.38	3.00	6.75	2.25	11.75	1.75	6.00	9.75	1.25	8.50	11.00	.44
4WS1M6-1500-30	21.75	22.38	3.00	6.75	2.25	11.75	1.75	6.00	9.75	1.25	8.50	11.00	.44
4WS1M6-1500-40	21.75	25.00	3.00	6.75	2.25	11.75	1.75	6.00	9.75	1.25	8.50	11.00	.44
4WS3M10-2000-15	27.75	26.75	5.00	10.12	2.38	17.50	2.38	10.00	15.00	1.88	12.75	16.50	.59
4WS3M10-2000-20	27.75	25.75	5.00	10.12	2.38	17.50	2.38	10.00	15.00	1.88	12.75	16.50	.59
4WS3M10-2500-20	27.75	28.25	5.00	10.12	2.38	17.50	2.38	10.00	15.00	1.88	12.75	16.50	.59
4WS3M10-3000-15	27.75	25.75	5.00	10.12	2.38	17.50	2.38	10.00	15.00	1.88	12.75	16.50	.59
4WS3M10-3000-20	27.75	28.25	5.00	10.12	2.38	17.50	2.38	10.00	15.00	1.88	12.75	16.50	.59
4WS3M10-3500-7	27.75	32.00	5.00	10.12	2.38	17.50	2.38	10.00	15.00	1.88	12.75	16.50	.59
4WS3M10-3500-15	27.75	28.25	5.00	10.12	2.38	17.50	2.38	10.00	15.00	1.88	12.75	16.50	.59
4WS3M10-3500-20	28.81	33.00	5.00	10.12	2.38	17.50	2.38	10.00	15.00	1.88	12.75	16.50	.59
4WS6M12-3000-10	33.00	26.75	5.62	12.88	2.50	22.50	3.25	12.00	19.00	1.88	18.25	22.00	.88
4WS6M12-3000-20	33.00	29.50	5.62	12.88	2.50	22.50	3.25	12.00	19.00	1.88	18.25	22.00	.88
4WS6M12-4000-10	33.00	29.50	5.62	12.88	2.50	22.50	3.25	12.00	19.00	1.88	18.25	22.00	.88
4WS6M12-4000-20	34.00	29.25	5.62	12.88	2.50	22.50	3.25	12.00	19.00	1.88	18.25	22.00	.88
4WS6M12-6000-4	33.00	27.75	5.62	12.88	2.50	22.50	3.25	12.00	19.00	1.88	18.25	22.00	.88
4WS6M12-6000-10	34.00	29.25	5.62	12.88	2.50	22.50	3.25	12.00	19.00	1.88	18.25	22.00	.88
4WS6M12-6000-20	34.00	31.00	5.62	12.88	2.50	22.50	3.25	12.00	19.00	1.88	18.25	22.00	.88

Dimensions are for reference only and subject to change without notice.



### Important:

It is the owner's or operator's responsibility to determine the suitability of the equipment to its intended use. Study all applicable codes, manuals, and regulations. Be sure to read the Owner's Manual supplied with the equipment before operating it.

## Series 4WS – Drum Dimensions

model extension	drum diameter	flange diameter	drum width	fleet angle distance <sup>1</sup>
4WS1M6	2.88 in	7.00 in	6.00 in	10 ft
4WS3M10	4.50 in	11.50 in	10.00 in	16 ft
4WS6M12	5.50 in	14.00 in	12.00 in	20 ft

Dimensions are for reference only and subject to change without notice.

<sup>1</sup> Recommended minimum distance between drum and lead sheave for smooth drum.

# 4WS SERIES POWER WINCHES

Thern 4WS series power winches feature dual stage gear reduction for economical handling of large loads. The combination of helical/worm and spur gearing make these winches ideal for applications requiring secure load control and accurate positioning. Our modular design also means we can quickly customize these winches to meet your specific requirements.



**FLANGE STYLE ROLLER BEARINGS** are self-aligning bearings with cast housing to maintain smooth drum rotation.

**WELDED STEEL DRUM** with outside flange anchors allow for uniform winding and help extend life of wire rope. Anchors allow cable to be over wound or under wound from either side of the drum.

**EXTENDED STEEL DRUM SHAFT** with both ends captured in fabricated steel frame for optimal strength and security.

**WIRE ROPE ASSEMBLIES** sold separately per customer request.

**FLANGE MOUNTED MOTOR** is a 230/460 volt 3 phase motor, 60 cycle, IP 54<sup>1</sup>, TEFC severe duty, reversible, class B or F insulated, continuous duty brakemotor.

Standard motors comply with relevant standards including NEMA, MG1, ANSI, CSA, IEC<sup>1</sup> and ABS.

**LOAD HOLDING MOTOR DISC BRAKE** is spring set, electrically released for positive load control.

**DUAL STAGE GEARING**, comprised of a worm or helical/worm and spur gears, make winches well suited for applications requiring secure load control and accurate positioning.

The heat treated worm or helical/worm gear set provides improved durability and operates in an oil bath, enclosed in a high strength cast iron gearcase, SAE class 30. Double-lip oil seals keep oil in and contaminants out. Large capacity bearings ensure long life. Speed reducers meet AGMA standards.

Guarded, heat treated spur gearing provides secondary reduction. Grease zerks allow for easy lubrication.

**ANSI B30.7 COMPLIANCE** is available. Please contact the factory.

**2 YEAR "MOVE IT WITH CONFIDENCE" LIMITED WARRANTY** leads the industry.

# 4WS SERIES POWER WINCHES

	HP	Load Rating	Line Speed
4WS9M18	5 - 10	7,000 - 10,000 lb	10 - 30 fpm
4WS16M20	7.5 - 15	13,000 - 16,000 lb	15 - 35 fpm
4WS26M26	15 - 25	22,000 - 26,000 lb	10 - 35 fpm

## OPTIONS AND ACCESSORIES

**DRUM MODIFICATIONS (A)** include grooved drums, multiple compartment drums and modified drum widths and diameters.

**WINCH MOUNTING OPTIONS** include base, wall or under hung installation.

**CABLE PRESSURE BARS (B)** help maintain uniform winding of wire rope.

**LIMIT SWITCHES (A)** provide secondary shut-off for load travel in one or two directions.

**MOTOR OPTIONS** include air or hydraulic, voltage or phase changes, IP 55 or 65, class F or H insulated and multi-speed operation.

**DUTY RATINGS** include IEEE 45 marine duty, tropical duty, severe duty and explosion proof ratings.

**BRAKE OPTIONS** include over-speed, caliper style, band, and more.

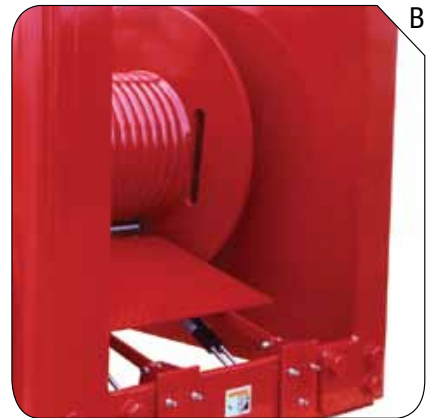
**CONTROLS (C)** are available in a wide range of standard and custom configurations for single or variable speed.

**CORROSION RESISTANT FINISHES (D)** for harsh or hazardous environments.

**MANUAL OVERRIDES** for winch operation in power loss situations.



Shown with double compartment and narrow drum width modifications and rotary limit switch.



Shown with cable pressure bar and grooved drum modification.



Shown with grooved drum modification and gray epoxy finish.



# 4WS SERIES POWER WINCHES

## 4WS Series Performance Characteristics

	Model Number Extensions			Motor hp	Load Rating						Line Speed				Motor Codes
	Load Rating	Line Speed	Motor Codes <sup>1</sup>		1st Layer		Mid Drum		Full Drum		1st Layer		Full Drum		
	(lb)	(fpm)		(lb)	(kg)	(lb)	(kg)	(lb)	(kg)	(fpm)	(mpm)	(fpm)	(mpm)		
4WS9M18	7000	20	D,E,F	5	7,300	3,312	5,000	2,268	3,800	1,724	21	6.4	41	12.5	<b>D</b> 230 volt 3 phase <b>E</b> 460 volt 3 phase <b>F</b> All other voltages please contact factory
4WS9M18	7000	30	D,E,F	7.5	7,500	3,402	5,200	2,359	4,000	1,815	32	9.8	61	18.6	
4WS9M18	10000	10	D,E,F	5	10,000	4,536	6,900	3,130	5,300	2,405	13	4.0	24	7.3	
4WS9M18	10000	20	D,E,F	7.5	10,000	4,536	6,900	3,130	5,300	2,405	21	6.4	41	12.5	
4WS9M18	10000	30	D,E,F	10	10,000	4,536	6,900	3,130	5,200	2,359	32	9.8	61	18.6	
4WS16M20	13000	15	D,E,F	7.5	13,000	5,897	8,800	3,992	6,700	3,040	14	4.3	26	7.9	
4WS16M20	13000	20	D,E,F	10	13,300	6,033	9,100	4,128	6,900	3,130	18	5.5	35	10.7	
4WS16M20	13000	35	D,E,F	15	13,000	5,897	8,900	4,038	6,700	3,040	35	10.7	68	20.7	
4WS16M20	16000	15	D,E,F	7.5	16,000	7,258	11,100	5,035	8,500	3,856	12	3.7	24	7.3	
4WS16M20	16000	20	D,E,F	10	16,000	7,258	11,100	5,035	8,500	3,856	16	4.9	31	9.4	
4WS26M26	22000	20	D,E,F	15	22,800	10,343	16,700	7,576	13,200	5,988	18	5.5	31	9.4	
4WS26M26	22000	25	D,E,F	20	22,600	10,252	16,500	7,485	13,100	5,943	25	7.6	43	13.1	
4WS26M26	22000	35	D,E,F	25	22,200	10,070	16,300	7,394	12,900	5,852	36	11.0	63	19.2	
4WS26M26	26000	10	D,E,F	10	26,200	11,885	19,400	8,800	15,400	6,986	10	3.0	17	5.2	
4WS26M26	26000	15	D,E,F	15	26,000	11,794	20,200	9,163	16,500	7,485	16	4.9	27	8.2	

Please contact factory or nearest Thern Distributor for firm fixed price and delivery.

## 4WS Series Drum Capacities

Wire Rope Dia.		Breaking Strength <sup>2</sup>		Drum Capacity	4WS9M18		4WS16M20		4WS26M26	
(in)	(mm)	(lb)	(kg)		(ft)	(m)	(ft)	(m)	(ft)	(m)
7/16	11.2	20,400	9,254	1st	87	26.5	-	-	-	-
				Mid	670	204.2	-	-	-	-
				Full	1,500	457.2	-	-	-	-
1/2	12.7	26,600	12,066	1st	76	23.2	-	-	-	-
				Mid	520	158.5	-	-	-	-
				Full	1,170	356.6	-	-	-	-
9/16	14.2	33,600	15,240	1st	67	20.4	89	27.1	-	-
				Mid	420	128.0	690	210.3	-	-
				Full	930	283.5	1,530	466.3	-	-
5/8	16.0	41,200	18,688	1st	59	18.0	78	23.8	-	-
				Mid	340	103.6	560	170.7	-	-
				Full	760	231.6	1,250	381.0	-	-
3/4	19.1	58,800	26,671	1st	48	14.6	65	19.8	110	33.5
				Mid	240	73.2	400	121.9	670	204.2
				Full	540	164.6	880	268.2	1,480	451.1
7/8	22.4	79,600	36,106	1st	-	-	54	16.5	94	28.7
				Mid	-	-	290	88.4	480	146.3
				Full	-	-	640	195.1	1,070	326.1
1	25.4	103,400	46,902	1st	-	-	47	14.3	82	25.0
				Mid	-	-	220	67.1	370	112.8
				Full	-	-	490	149.4	830	253.0
1-1/8	28.7	130,000	58,968	1st	-	-	-	-	71	21.6
				Mid	-	-	-	-	300	91.4
				Full	-	-	-	-	660	201.2
1-1/4	31.8	159,800	72,485	1st	-	-	-	-	63	19.2
				Mid	-	-	-	-	240	73.2
				Full	-	-	-	-	530	161.5
1-3/8	34.9	192,000	87,090	1st	-	-	-	-	56	17.1
				Mid	-	-	-	-	200	61.0

## Electric Motor Controls

	Description	Approx. Ship Wt.	
		(lb)	(kg)
10S3D4	electric motor controls 230/3/60 to 3 hp	25	12
10S7D4	electric motor controls 230/3/60 to 7.5 hp	25	12
10S10D4	electric motor controls 230/3/60 to 10 hp	28	13
10S20D4	electric motor controls 230/3/60 to 20 hp	28	13
10S30D4	electric motor controls 230/3/60 to 30 hp	60	28
10S7E4	electric motor controls 460/3/60 to 7.5 hp	25	12
10S15E4	electric motor controls 460/3/60 to 15 hp	25	12
10S20E4	electric motor controls 460/3/60 to 20 hp	28	13
10S40E4	electric motor controls 460/3/60 to 40 hp	60	28

Controls include NEMA 4 rated enclosure, and NEMA 4x rated pendant control on 50 foot cord.

Motor Controls sold separately.

Please contact factory or nearest Thern Distributor for firm fixed price and delivery. All prices include mounting and wiring to motor.

## 4WS Series Drum Dimensions

	Drum Diameter (ID)		Flange Diameter (OD)		Drum Width (W)		Fleet Angle Dist (A) <sup>3</sup>	
	(in)	(mm)	(in)	(mm)	(in)	(mm)	(ft)	(m)
4WS9M18	9.00	229	20.00	508	18.00	457	29	8.8
4WS16M20	10.75	273	24.00	610	20.00	508	32	9.8
4WS26M26	14.00	356	28.00	711	26.00	660	42	12.8

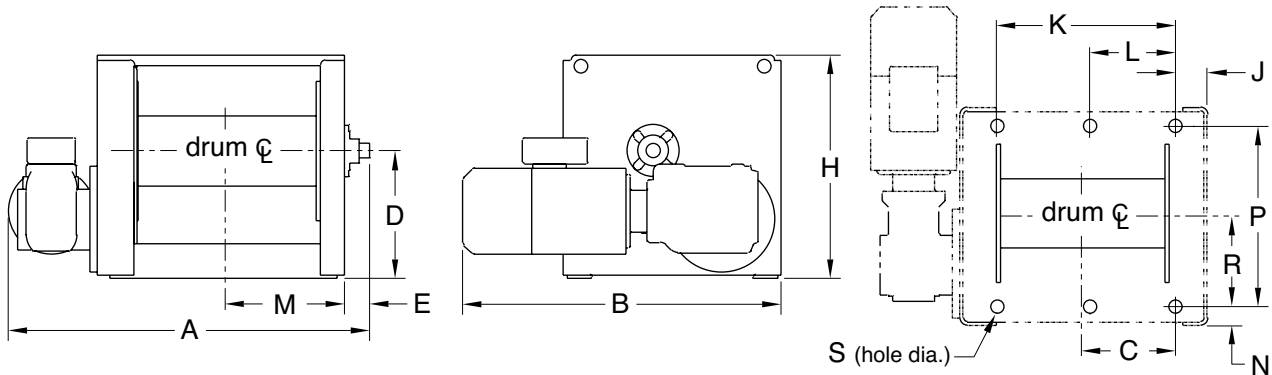
<sup>3</sup>Recommended minimum distance between drum and lead sheave for smooth drum. Dimensions are for reference only and subject to change without notice. Please contact factory for exact dimensions.

— ID —



# 4WS SERIES POWER WINCHES

## 4WS Series



**4WS Series Winch Dimensions**

	A		B		C		D		E		H		J		K	
	(in)	(mm)	(in)	(mm)	(in)	(mm)	(in)	(mm)	(in)	(mm)	(in)	(mm)	(in)	(mm)	(in)	(mm)
4WS9M18-7000-20	44.00	1,118	33.75	857	8.50	216	17.75	451	5.13	130	31.00	787	4.00	102	18.00	457
4WS9M18-7000-30	45.50	1,156	38.50	978	8.50	216	17.75	451	5.13	130	31.00	787	4.00	102	18.00	457
4WS9M18-10000-10	44.00	1,118	33.75	857	8.50	216	17.75	451	5.13	130	31.00	787	4.00	102	18.00	457
4WS9M18-10000-20	45.50	1,156	38.50	978	8.50	216	17.75	451	5.13	130	31.00	787	4.00	102	18.00	457
4WS9M18-10000-30	45.50	1,156	40.00	1,016	8.50	216	17.75	451	5.13	130	31.00	787	4.00	102	18.00	457
4WS16M20-13000-15	48.00	1,219	34.75	883	9.50	241	20.00	508	6.25	159	34.00	864	4.00	102	20.00	508
4WS16M20-13000-20	48.00	1,219	37.00	940	9.50	241	20.00	508	6.25	159	34.00	864	4.00	102	20.00	508
4WS16M20-13000-35	48.00	1,219	39.50	1,003	9.50	241	20.00	508	6.25	159	34.00	864	4.00	102	20.00	508
4WS16M20-16000-15	48.00	1,219	34.75	883	9.50	241	20.00	508	6.25	159	34.00	864	4.00	102	20.00	508
4WS16M20-16000-20	48.00	1,219	37.00	940	9.50	241	20.00	508	6.25	159	34.00	864	4.00	102	20.00	508
4WS26M26-22000-20	60.50	1,537	43.50	1,105	12.38	314	25.38	645	8.06	205	44.50	1,130	5.88	149	26.00	660
4WS26M26-22000-25	60.50	1,537	47.00	1,194	12.38	314	25.38	645	8.06	205	44.50	1,130	5.88	149	26.00	660
4WS26M26-22000-35	60.50	1,537	50.00	1,270	12.38	314	25.38	645	8.06	205	44.50	1,130	5.88	149	26.00	660
4WS26M26-26000-10	60.50	1,537	42.00	1,067	12.38	314	25.38	645	8.06	205	44.50	1,130	5.88	149	26.00	660
4WS26M26-26000-15	60.50	1,537	43.50	1,105	12.38	314	25.38	645	8.06	205	44.50	1,130	5.88	149	26.00	660

	L		M		N		P		R		S (Hole Dia.)		Ship Wt.	
	(in)	(mm)	(in)	(mm)	(in)	(mm)	(in)	(mm)	(in)	(mm)	(in)	(mm)	(lb)	(kg)
4WS9M18-7000-20	-	-	12.50	318	2.75	70	22.00	559	12.50	318	1- <sup>3</sup> / <sub>16</sub>	30	1,100	499
4WS9M18-7000-30	-	-	12.50	318	2.75	70	22.00	559	12.50	318	1- <sup>3</sup> / <sub>16</sub>	30	1,100	499
4WS9M18-10000-10	-	-	12.50	318	2.75	70	22.00	559	12.50	318	1- <sup>3</sup> / <sub>16</sub>	30	1,100	499
4WS9M18-10000-20	-	-	12.50	318	2.75	70	22.00	559	12.50	318	1- <sup>3</sup> / <sub>16</sub>	30	1,100	499
4WS9M18-10000-30	-	-	12.50	318	2.75	70	22.00	559	12.50	318	1- <sup>3</sup> / <sub>16</sub>	30	1,160	527
4WS16M20-13000-15	10.00	254	13.50	343	2.75	70	27.50	699	16.25	413	1- <sup>3</sup> / <sub>16</sub>	30	1,550	704
4WS16M20-13000-20	10.00	254	13.50	343	2.75	70	27.50	699	16.25	413	1- <sup>3</sup> / <sub>16</sub>	30	1,610	731
4WS16M20-13000-35	10.00	254	13.50	343	2.75	70	27.50	699	16.25	413	1- <sup>3</sup> / <sub>16</sub>	30	1,650	749
4WS16M20-16000-15	10.00	254	13.50	343	2.75	70	27.50	699	16.25	413	1- <sup>3</sup> / <sub>16</sub>	30	1,550	704
4WS16M20-16000-20	10.00	254	13.50	343	2.75	70	27.50	699	16.25	413	1- <sup>3</sup> / <sub>16</sub>	30	1,610	731
4WS26M26-22000-20	13.00	330	18.25	464	3.00	76	36.00	914	21.75	552	1- <sup>3</sup> / <sub>8</sub>	35	3,110	1,411
4WS26M26-22000-25	13.00	330	18.25	464	3.00	76	36.00	914	21.75	552	1- <sup>3</sup> / <sub>8</sub>	35	3,290	1,493
4WS26M26-22000-35	13.00	330	18.25	464	3.00	76	36.00	914	21.75	552	1- <sup>3</sup> / <sub>8</sub>	35	3,350	1,520
4WS26M26-26000-10	13.00	330	18.25	464	3.00	76	36.00	914	21.75	552	1- <sup>3</sup> / <sub>8</sub>	35	3,070	1,393
4WS26M26-26000-15	13.00	330	18.25	464	3.00	76	36.00	914	21.75	552	1- <sup>3</sup> / <sub>8</sub>	35	3,110	1,411

**IMPORTANT:**

It is the owner's or operator's responsibility to determine the suitability of the equipment to its intended use. Study all applicable codes, manuals, and regulations. Be sure to read the Owner's Manual supplied with the equipment before operating it.

Dimensions are for reference only and subject to change without notice. Please contact factory for exact dimensions.

# 4WS SERIES POWER WINCHES



## **LIFT 50 TONS, WHAT DO YOU GET? SIMPLE, RESPECT**

Mighty and reliable, Thern power winches can lift, hoist, pull or position up to 100,000 lb to handle any task you've got. Our broad range of standard models can be quickly adapted to suit custom applications. Plus our power winches feature top of the line gear reducers, rugged steel construction, load holding brake motors, and legendary performance and craftsmanship.

### ➤ **CUSTOMIZABLE**

We build to suit. Thern power winches come in a wide variety of base configurations, making it fast and affordable to customize a winch to your application.

### ➤ **DURABLE**

Thern's heavy duty power winches are built to take the around the clock punishment of hard working jobsites. Everything about them, from fabricated steel frame to industrial strength controls, says "no kid gloves" required.

### ➤ **EXPERIENCE**

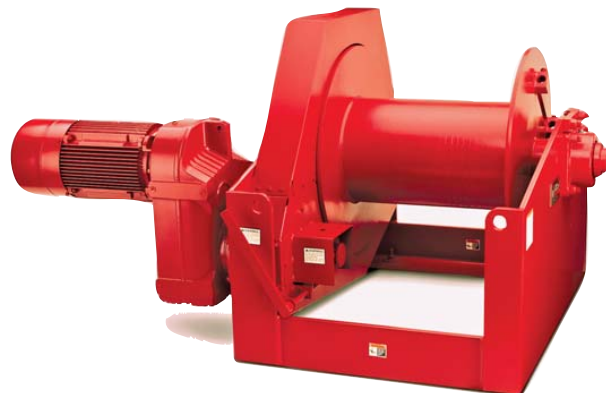
Thern has the experienced people you rely on to get the right product for the job. Our unmatched know-how means you won't end up with a solution that only creates new problems.



Series 4WS



Series 4HS6-26M  
Clutch model shown



Series 4HS40-56M  
Clutch model shown

# 4WS SERIES POWER WINCHES



## ***ONE IF BY LAND, THERN IF BY SEA***

Just because something floats, doesn't mean it isn't heavy. Try raising and lowering accommodation ladders, launching deep water research equipment or towing a vessel. It takes strength, control and stamina. It takes a Thern heavy duty power winch.

## ***WHEN IT COMES TO HANDLING, THERE'S BULK AND THERE'S BULK***

Thern power winches are used to pull trains, position barges, or lift behemoth conveyors. Why? They have the muscle and endurance to do it over the long haul without failure.

## ***A MINER'S BEST FRIEND***

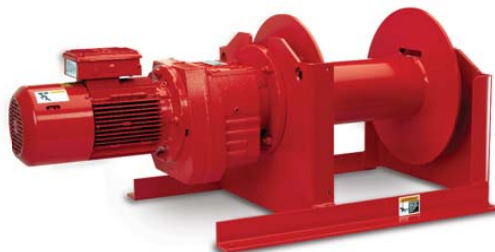
Hard, heavy, dirty. That's everything you need to know about mining. Conditions are poor, mechanical strain constant, and loads a bear, but Thern power winches can handle any task you find in a mine.

## ***POWERFUL ENOUGH FOR POWER PLANTS***

Everything about a power plant is big – from steel doors to flare stacks, and it all needs to be lifted, lowered, or positioned. Durable and easily customized, Thern power winches help keep power plants running.



**Series 4HWF**



**Series 4HPF**



**Series 4HPFC**  
Clutch model shown