



TRANSPORTABLE DAVIT CRANE

ADMIRAL[®] 3000



thern.com
(507) 454-2996

ADMIRAL® 5PT30

TRANSPORTABLE DAVIT CRANE



MAXIMUM LIFTING POWER with Portable Utility

The 5PT30 Admiral Series davit crane (up to 3,000 pounds) is Thern's largest capacity, transportable davit crane. An adjustable boom for high lifts provides almost 10 feet of reach to clear safety gates, rails, and other obstacles. Easy disassembly and reassembly with quick-release hardware and pins enhance transport to storage or other work bases. A combination of roller and needle bearings allow it to lift, lower, and rotate loads 360 degrees, easily and smoothly. A variety of base options and manual or powered operation makes it perfect for construction, manufacturing, marine, and oil and gas applications.

360° Rotation & Flexible Operation

- Tapered roller and needle bearings enhance smooth, 360-degree rotation under load for precise load placement. Integral 12-position (every 30 degrees) boom rotation lock facilitates heavy lifting and stabilizes unloading
- Rotation handle design does not interfere with boom angle adjustment for easier operation
- Davit boom, supported by integral screw jack or boom brace, telescopes to five different lengths to accommodate a variety of applications
- Choose from manual, drill-drive, or powered winch (electric, pneumatic, or hydraulic motors) operation to accommodate a variety of loads and speeds. DC motors and various voltage AC motors, including three-phase, are available

Durable Construction & Finish

- Heavy-duty, welded structural steel pipe and tubing limit deflection and meet ASTM standards
- Red-enamel finish, mast cap and stainless-steel fasteners resist the elements and harsh environments for long service life
- Galvanized and epoxy finishes are available



Product Shown:
5PT30J-M1

Transportable

- Disassemble and reassemble using quick-release, clevis-style pins for transport to storage or bases at other work sites—no tools required. Transport requires two people

Flexible Configurations

- A variety of base and mounting options, including pedestal-, flush-, and wall-mount, help meet multiple lifting needs

STANDARD CONFIGURATIONS

Series	IMPERIAL/METRIC	
	Description	Up To Capacity
5PT30J-M1	Enamel crane and ratchet jack with M452B-K spur gear hand winch	3,000 lbs / 1,360 kg
5PT30JG-M1	Galvanized crane and ratchet jack with M452B-K spur gear hand winch	3,000 lbs / 1,360 kg
5PT30JG-M1X	Galvanized crane and ratchet jack with gray-epoxy M452BEGRA-K spur gear hand winch	3,000 lbs / 1,360 kg
5PT30J-E2	Enamel crane and ratchet jack with 3WG4B-K electric winch	3,000 lbs / 1,360 kg
5PT30JG-E2	Galvanized crane and ratchet jack with 3WG4B-K electric winch	3,000 lbs / 1,360 kg
5PT30J-M1	Enamel crane and ratchet jack with M452B-K spur gear hand winch	3,000 lbs / 1,360 kg
5PT30J-M2	Enamel crane and ratchet jack with 2W40V-BMT4P-K worm gear hand winch	3,000 lbs / 1,360 kg
5PT30JX-M1X	Gray-epoxy crane and ratchet jack with gray-epoxy M452BEGRA-K spur gear hand winch	3,000 lbs / 1,360 kg
5PT30JX-E2X	Gray-epoxy crane and ratchet jack with gray-epoxy 3WG4B-KX electric winch	3,000 lbs / 1,360 kg



NOTICE: These products are not for lifting people or things over people.

Refer to technical pages for detailed performance information.

ADMIRAL[®] 3000 TRANSPORTABLE DAVIT CRANE

CONFIGURATIONS

Model	Description	Approx. Ship Wt.	
		(lb)	(kg)
Popular Configurations			
5PT30J-M1	up to 3,000 lb capacity with M452PB-K spur gear hand winch and ratchet jack—enamel crane	719	326
5PT30JG-M1	up to 3,000 lb capacity with M452B-K spur gear hand winch and ratchet jack—galvanized crane	719	326
5PT30JG-M1X	up to 3,000 lb capacity with M452BEGRA-K spur gear hand winch (epoxy) gray—galvanized ratchet jack and crane	719	326
5PT30J-E2	up to 3,000 lb capacity with 3WG4B-K electric winch and ratchet jack—enamel crane	816	370
5PT30JG-E2	up to 3,000 lb capacity with 3WG4B-K electric winch—galvanized ratchet jack and crane	816	370
Crane Only			
5PT30	up to 3,000 lb—boom brace—enamel finish	563	255
5PT30G	up to 3,000 lb—boom brace—galvanized finish	563	255
5PT30X	up to 3,000 lb—boom brace—gray-epoxy finish	563	255
5PT30J	up to 3,000 lb—adjustable ratchet-jack—enamel finish	628	285
5PT30JG	up to 3,000 lb—adjustable ratchet-jack—galvanized finish	628	285
5PT30JX	up to 3,000 lb—adjustable ratchet-jack—gray-epoxy finish	623	283
Winch Only			
M1	M452B-K—spur gear hand winch only—enamel finish	91	41
M1X	M452BEGRA-K—spur gear hand winch only—gray-epoxy finish	91	41
M2	2W40V-BMT4P-K worm gear hand winch—powder-coat finish	141	64
M2X	2W40V-BMT4XP-K worm gear hand winch—gray-epoxy finish	141	64
E2	3WG4B-K electric winch—115/1/60 VAC with 6 ft pendant control—enamel finish	188	85
E2X	3WG4B-KX electric winch—115/1/60 VAC with 6 ft pendant control—gray-epoxy finish	188	85

Independent Bases—sold separately

Pedestal, socket (flush-mount), or wall-mount style.

IMPORTANT: Base installation is the purchaser's responsibility. Thern recommends consulting a civil engineer or other qualified professional. Contact Thern for installation guidelines.



Finishes	MODELS		
	Pedestal	Flush	Wall
Red Enamel	5BP30	5BF30	5BW30
Galvanized	5BP30G	5BF30G	5BW30G
Epoxy Paint	5BP30X	5BF30X	5BW30X
Approximate Ship Weight	180 lbs (82 kg)	160 lbs (73 kg)	155 lbs (71kg)

Please contact Thern or nearest Thern Distributor for firm, fixed price and delivery.

Wire Rope Assemblies—sold separately

Galvanized or stainless steel wire rope assemblies with swivel hook on one end and unfinished on the other end.

Wire Rope Length		Galvanized Aircraft Cable	304 Stainless Steel Wire Rope
		3/8" Dia. (9.5 mm)	3/8" Dia. (9.5 mm)
(ft)	(m)	Model No.	Model No.
28	8.5	WA38-28DS	WS38-28DS
36	10.9	WA38-36DS	WS38-36DS
45	13.7	WA38-45DS	WS38-45DS
60	18.2	WA38-60DS	WS38-60DS
75	22.8	WA38-75DS	WS38-75DS

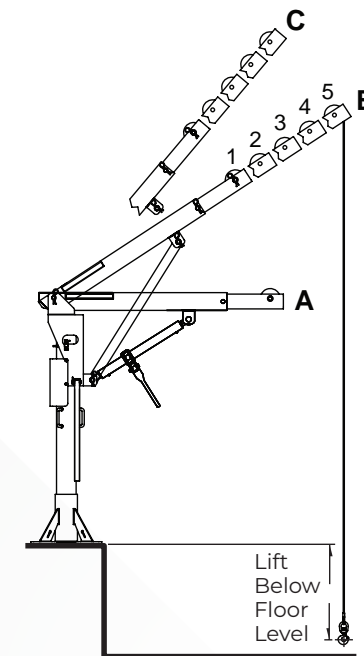
PERFORMANCE

Admiral 3000 5PT30 Series Lift Below Floor¹ Level

Lift Below Floor ²		Wire Rope Diameter		Wire Rope Length		Winch Configurations Maximum Winch Rating							
Minimum (C5)	Maximum (C1)	(in)	(mm)	(ft)	(m)	M1		M2		E2			
(ft)	(m)	(ft)	(m)	(lbs)	(kg)	(lbs)	(kg)	(lbs)	(kg)	(lbs)	(kg)		
-4	-1.2	2	0.6	3/8"	10	28	8.5	3,000	1,360	3,000	1,360	3,000	1,360
4	1.2	10	3.0	3/8"	10	36	10.9	3,000	1,360	3,000	1,360	3,000	1,360
13	3.9	19	5.7	3/8"	10	45	13.7	3,000	1,360	3,000	1,360	3,000	1,360
28	8.5	34	10.3	3/8"	10	60	18.2	3,000	1,360	3,000	1,360	3,000	1,360
43	13.1	49	14.9	3/8"	10	75	22.8	3,000	1,360	3,000	1,360	3,000	1,360
58	17.6	64	19.5	3/8"	10	90	27.4	—	—	2,700	1,224	2,700	1,224
88	26.8	94	28.6	3/8"	10	120	36.5	—	—	2,500	1,134	2,500	1,134
118	35.9	124	37.7	3/8"	10	150	45.7	—	—	—	—	—	—
168	51.2	174	53.0	3/8"	10	200	60.9	—	—	—	—	—	—

¹ Performance characteristics are for standard products. Non-standard products may vary from the original design. Contact Thern, Inc. for this information.

² Lift below floor level varies depending on boom position and base configuration. For longer lifts, please contact factory.



Winch Configurations



Admiral 3000 Performance Ratings

Boom Position	Load Rating	
	(lb)	(kg)
A-1	3,000	1,360
A-2	3,000	1,360
A-3	3,000	1,360
A-4	2,700	1,224
A-5	2,400	1,088
B-1	3,000	1,360
B-2	3,000	1,360
B-3	3,000	1,360
B-4	2,700	1,224
B-5	2,400	1,088
C-1	3,000	1,360
C-2	3,000	1,360
C-3	3,000	1,360
C-4	2,700	1,224
C-5	2,400	1,088

Admiral 3000 Pedestal Base Hook Height and Reach

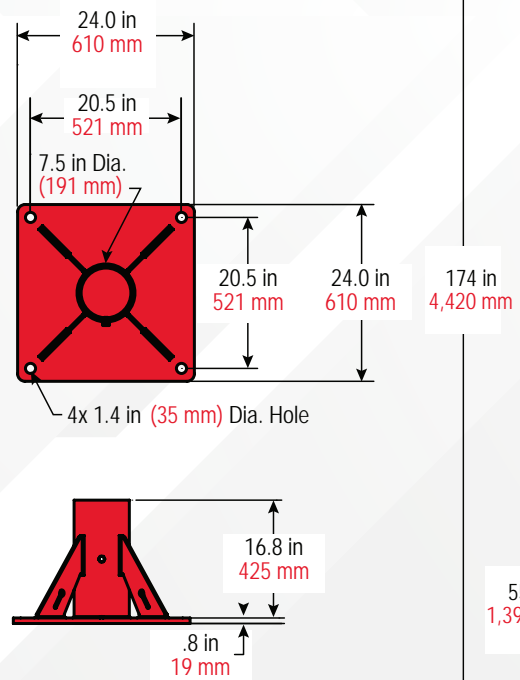
Boom Position	Hook Reach		Hook Height	
	(in)	(mm)	(in)	(mm)
A-1*	72	1,829	66	1,677
A-2*	82	2,083	66	1,677
A-3*	92	2,337	66	1,677
A-4*	102	2,591	66	1,677
A-5*	112	2,845	66	1,677
B-1 (fixed)	60	1,524	106	2,693
B-2 (fixed)	69	1,753	112	2,845
B-3 (fixed)	77	1,956	117	2,972
B-4 (fixed)	85	2,159	123	3,125
B-5 (fixed)	94	2,388	128	3,252
C-1*	46	1,169	122	3,099
C-2*	53	1,347	130	3,302
C-3*	59	1,499	137	3,480
C-4*	66	1,677	145	3,683
C-5*	72	1,829	153	3,887

* Boom position requires purchasing the screw jack.
Dimensions are for reference only and subject to change without notice.

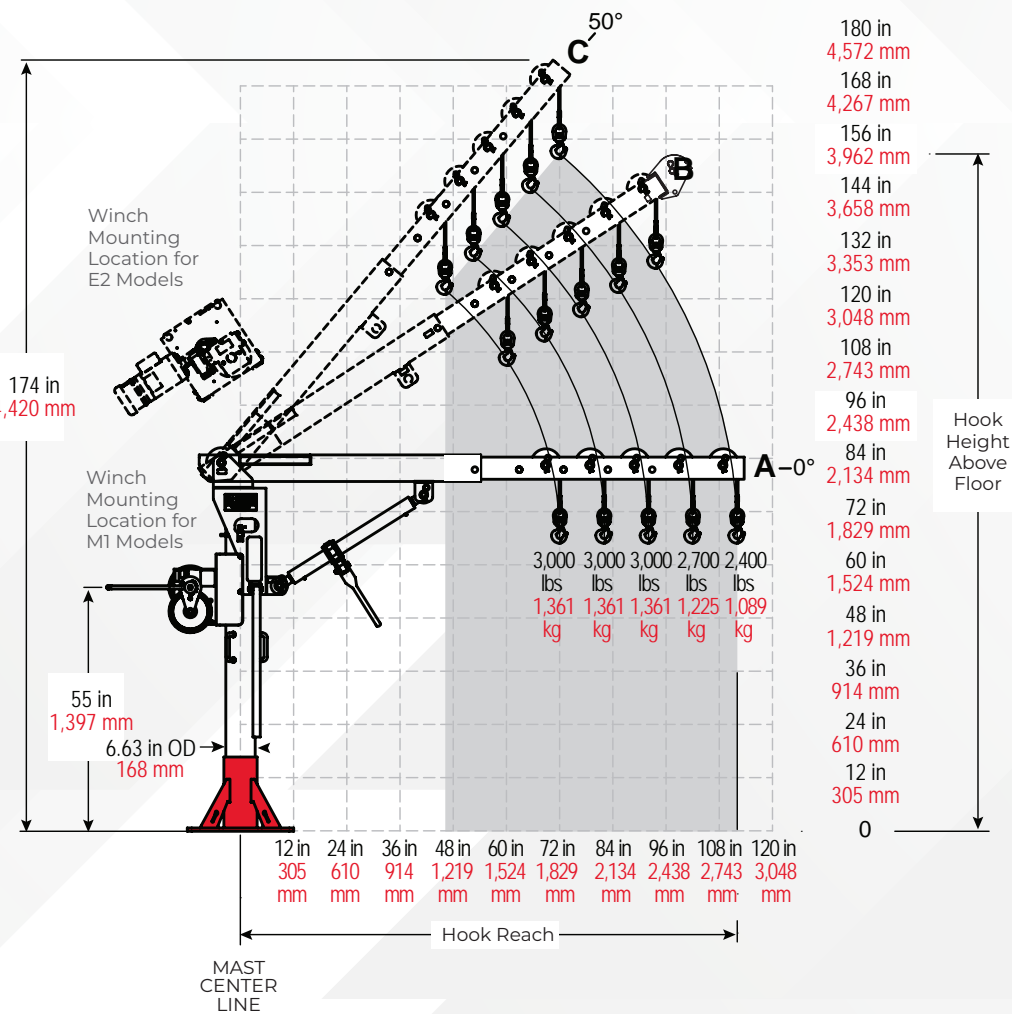
Admiral 3000 Pedestal Base

5BP30 5BP30G 5BP30X

Pedestal Base



Positions A and C require a ratchet-style screw jack.



Admiral 3000 Flush- or Wall-Mount Base Hook Height and Reach

Boom Position	Hook Reach		Hook Height	
	(in)	(mm)	(in)	(mm)
A-1*	72	1,829	50	1,270
A-2*	82	2,083	50	1,270
A-3*	92	2,337	50	1,270
A-4*	102	2,591	50	1,270
A-5*	112	2,845	50	1,270
B-1 (fixed)	60	1,524	90	2,286
B-2 (fixed)	69	1,753	96	2,439
B-3 (fixed)	77	1,956	101	2,566
B-4 (fixed)	85	2,159	107	2,718
B-5 (fixed)	94	2,388	112	2,845
C-1*	46	1,169	106	2,693
C-2*	53	1,347	114	2,896
C-3*	59	1,499	121	3,074
C-4*	66	1,677	129	3,277
C-5*	72	1,829	137	3,480

* Boom position requires purchasing the screw jack.
Dimensions are for reference only and subject to change without notice.

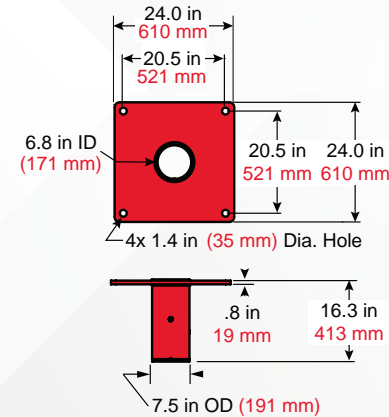
Admiral 3000 Flush-Mount Base

5BF30 5BF30G 5BF30X

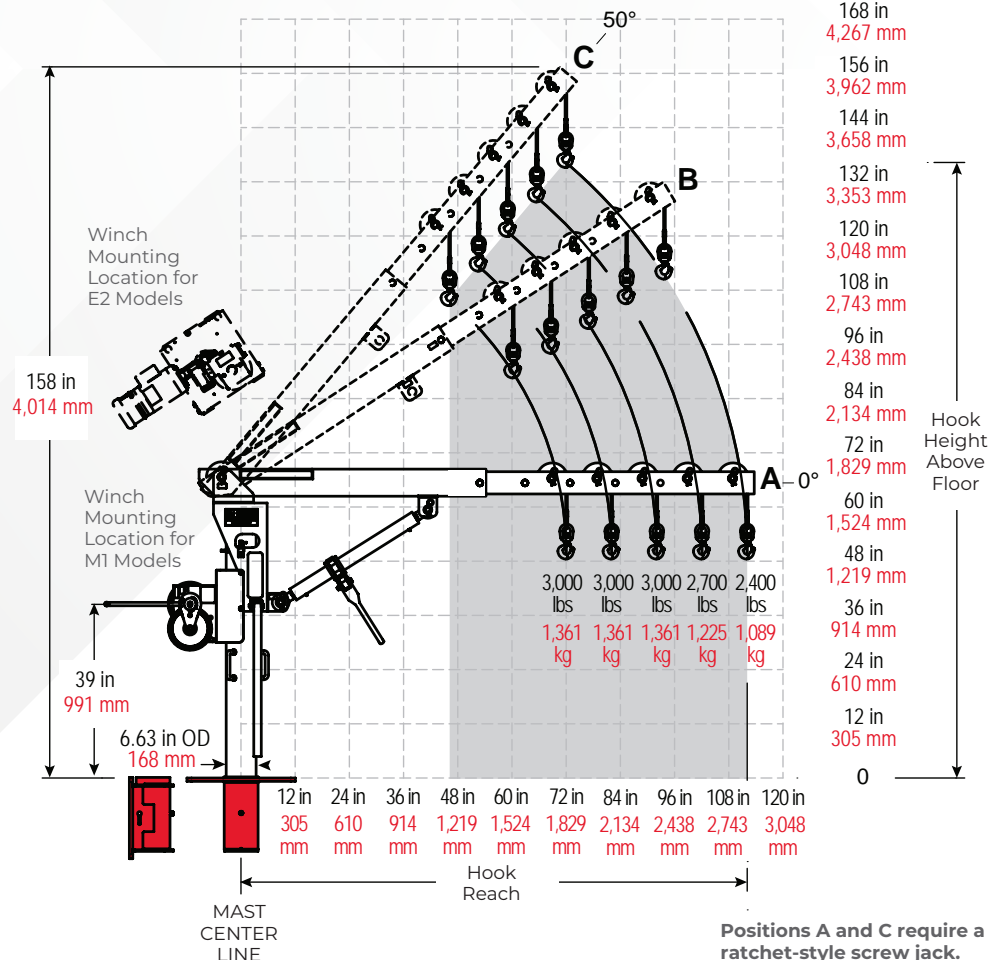
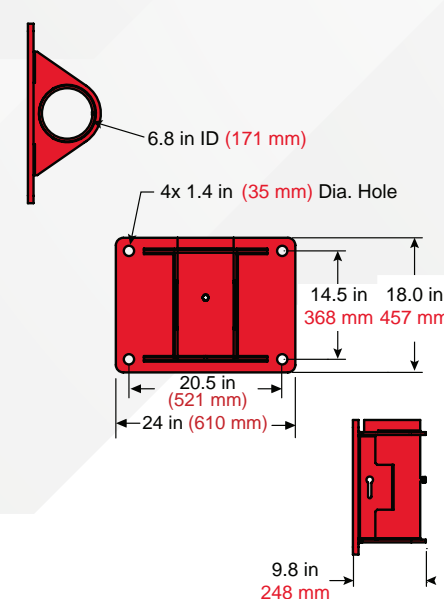
Admiral 3000 Wall-Mount Base

5BW30 5BW30G 5BW30X

Flush-Mount Base



Wall-Mount Base



Positions A and C require a ratchet-style screw jack.

CRANE

OPTIONS & ACCESSORIES

Base Anchor Kit

Model	Description
AN50A-5	(4) Hilti® zinc-plated steel fasteners 1/2" X 5.50" STL (5PA5, 5PF5, and 5PT5 cranes)
AN50A-5S	(4) Hilti® 304 stainless-steel fasteners 1/2" X 5.50" SST304 (5PA5, 5PF5, and 5PT5 cranes)
AN50A-5S316	(4) Hilti® 316 stainless-steel fasteners 1/2" X 5.50" SST316 (5PA5, 5PF5, and 5PT5 cranes)
AN62A-6	(4) Hilti® zinc-plated steel fasteners 5/8" X 6.00" STL (5PA10, 5PT10, 5PT20, and 5FT20 cranes)
AN62A-6S	(4) Hilti® 304 stainless-steel fasteners 5/8" X 6.00" SST304 (5PA10, 5PT10, 5PT20, and 5FT20 cranes)
AN62A-6S316	(4) Hilti® 316 stainless-steel fasteners 5/8" X 6.00" SST316 (5PA10, 5PT10, 5PT20, and 5FT20 cranes)

Rotational Lock

Model	Description
5P5LCK	For pedestal, wall, and flush-mount bases, 316 stainless steel—available for use 5PA5, 5PF5, and 5PT5

Cable Spooler

Model	Description
RW50	316 stainless-steel reel winds up wire rope when detached from crane

Wire Rope Keeper

Model	Description
RK19-25S	304 Stainless-steel bracket holds free end of the wire rope when detached from the crane
RK19-25S316	316 Stainless-steel bracket holds free end of the wire rope when detached from the crane

Roller Ball Bearing for 5PT10 Series Crane

Model	Description
5PT10BRG	Red electrostatic, powder-coat paint finish
5PT10BRG-S	304 stainless-steel, electro-polished finish for added protection against corrosion
5PT10BRG-S316	Stainless-steel, electro-polished finish for maximum protection against corrosion
5PT10BRG-SS	304 stainless steel, for use with stainless-steel base only
5PT10BRG-SS316	316 stainless steel, for use with stainless-steel base only

Roller Ball Bearing for 5PT20 Series Crane

Model	Description
5PT20BRG	Red electrostatic, powder-coat paint finish
5PT20BRG-S	304 stainless-steel, electro-polished finish for added protection against corrosion
5PT20BRG-S316	Stainless-steel, electro-polished finish for maximum protection against corrosion
5PT20BRG-SS	304 stainless steel, for use with stainless-steel base only
5PT20BRG-SS316	316 stainless steel, for use with stainless-steel base only

Limit Switch Ready Winch Options

Model	Description
NOTE: Limit switch winch option requires purchase of Limit Switch and Headache Ball (sold separately)	
For 5PF5, 5PA5, 5PA10, 5PT5, 5PT10, 5PT20 Series Cranes (sold separately)	
E2L (5PA5, 5PA10)	4WP2V-KL electric winch – 115/1/60 VAC with 6 ft pendant control – enamel
E2LX (5PA5, 5PA10)	4WP2VEGRA-KL electric winch – 115/1/60 VAC with 6 ft pendant control – epoxy gray
E4L	4777-KL electric winch – 115/1/60 VAC with 6 ft pendant control – enamel
E4LX	4777EGRA-KL electric winch – 115/1/60 VAC with 6 ft pendant control – epoxy gray
E4DCL	4777DC-KL electric winch – 12 volt DC with 10 ft pendant control – enamel
E4DCLX	4777DCEGRA-KL electric winch – 12 volt DC with 10 ft pendant control – epoxy gray
For 5FT20 Series Crane Only (sold separately)	
E2L	4WP2-KL electric winch – 115/1/60 VAC with 6 ft pendant control – enamel
E2LX	4WP2EGRA-KL electric winch – 115/1/60 VAC with 6 ft pendant control – epoxy gray
E4L	4771-KL electric winch – 115/1/60 VAC with 6 ft pendant control – enamel finish
E4LX	4771EGRA-KL electric winch – 115/1/60 VAC with 6 ft pendant control – gray-epoxy finish
E4DCL	E4DCL 4771DC-KL electric winch – 12 volt DC with 10 ft pendant control – enamel finish
E4DCLX	4771DCEGRA-KL electric winch – 12 volt DC with 10 ft pendant control – gray-epoxy finish
For 5PT30, 5FT25, 5FT40 Series Crane Only (sold separately)	
E2L	3WG4B-KL electric winch - 115/1/160 VAC with 6 ft pendant control – enamel finish
E2LX	3WG4BEGRA-KL electric winch - 115/1/160 VAC with 6 ft pendant control – epoxy gray finish
E2TL	3WG4BMT-K electric winch - 115/1/160 VAC with 6 ft pendant control – enamel finish
	(Unavailable for use with 5FT40)
E2TLX	3WG4MTX-KL electric winch - 115/1/160 VAC with 6 ft pendant control – epoxy gray finish

Drill Drive Kit

Model	Description
ED330-DW11	120 VAC, 11-amp, 330 rpm drill motor to power drive the hand winch. Only available for cranes configured with the M2 winch option. Includes 1-1/8" hex drive socket
ED300-DW06	Cordless drill kit, 60 V brushless motor, 300 rpm drill motor to power drive the M2 hand winch option. Includes 1-1/8" hex drive socket
ED400-DW09	Heavy-duty cordless drill kit, 60 V brushless motor, 400 rpm drill motor to power drive the M2 hand winch option. Includes 1-1/8" hex drive socket

Headache Ball

Model	Description
HB10-12-25	Red enamel painted 10 lb fits 1/8" to 1/4" rope
HB10-25-38	Red enamel painted 10 lb fits 1/4" to 3/8" rope
HB10S-12-25	Stainless-steel 10 lb fits 1/8" to 1/4" rope
HB10S-25-38	Stainless-steel 10 lb fits 1/4" to 3/8" rope
HB10S-44-50	Stainless-steel 10 lb fits 7/16" to 1/2" rope

Base Extension

Model	Description
5BE5-15	Available on 5PF5, 5PT5, 5PT10, and 5PT20 with powder-coat, galvanized,
5BE10-15	304 & 316 stainless-steel, and epoxy finishes
5BE20-15	



MADE IN USA 

Thern, Incorporated

World Headquarters
5712 Industrial Park Road Winona, MN USA
Toll Free: 1-800-843-7648
Phone: 1-507-454-2996
www.thern.com

Thern Europe

Bedrijvenpark Twente 454e
7602 KM Almelo The Netherlands
Phone: +31-546-898-380
europa@thern.com